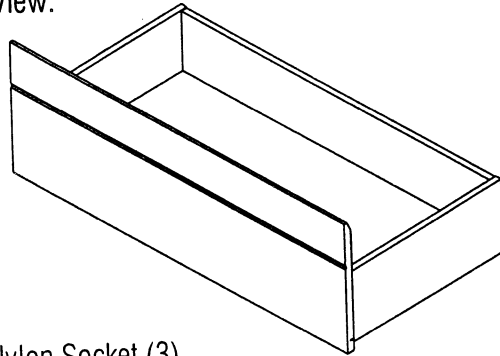


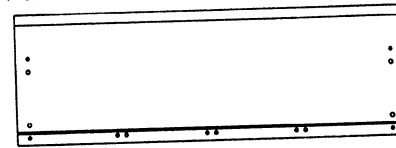
Assembly Instructions

BEDFORD STORAGE BOX 315

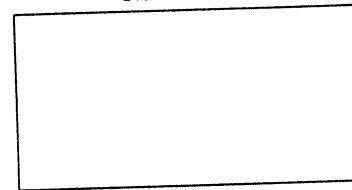
Assembled View.



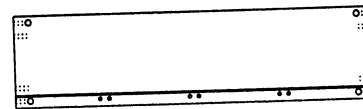
Part in Box



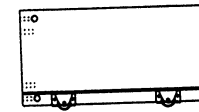
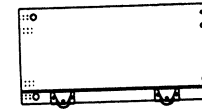
Drawer Front x 2 (A)



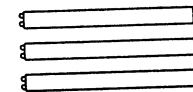
Drawer Bottom x 2 (B)



Back Panel x 2 (C)


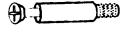

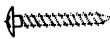




Side Panel (D)
x 4

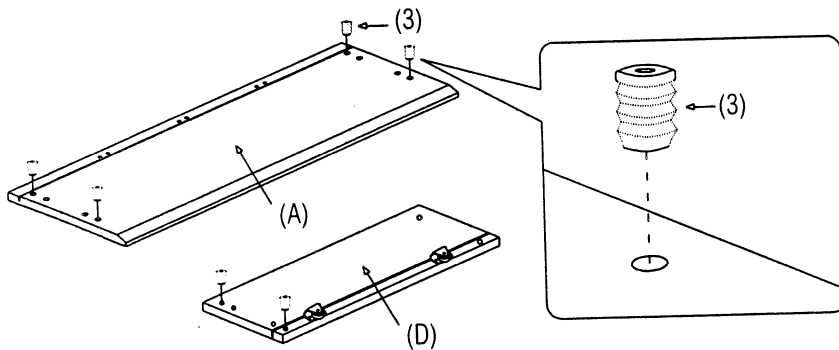


Support Rails (E)
x 6

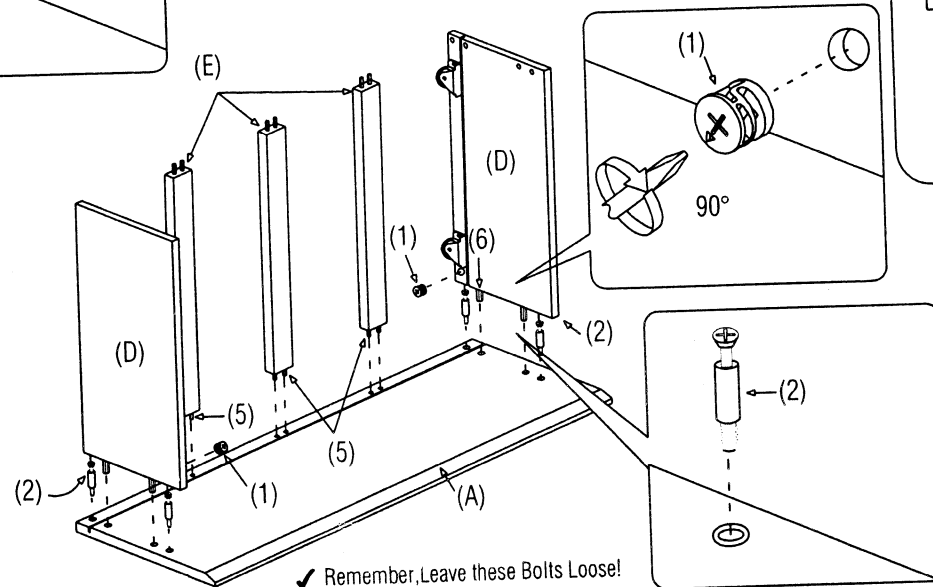
Hardware List

1.	Minifix Housing		x 16
2.	Connecting Bolt		x 16
3.	Nylon Socket		x 16
4.	Pan Head Screw M4 x 32mm		x 12
5.	Wood Dowel M8 x 35mm		x 24
6.	Wood Dowel M10 x 35mm		x 16

① Fit in the Nylon Socket (3).



② Fit Side Panel (D) and Support Rails (E) onto Drawer Front (A).



Lay the Drawer Front (A) on a smooth, flat surface so the holes are facing upwards.

Fit the Side Panels (D) to the Drawer Front (A), fitting the dowels (7) in the holes. Bolt the Side Panel (D) to the Drawer Front (A), but don't fully tighten these yet. Leave them a bit loose, to make fitting the Back Panel (C) easier.

Fit the Support Rails (E) into dowel (5) holes provided on the Drawer Front (A).

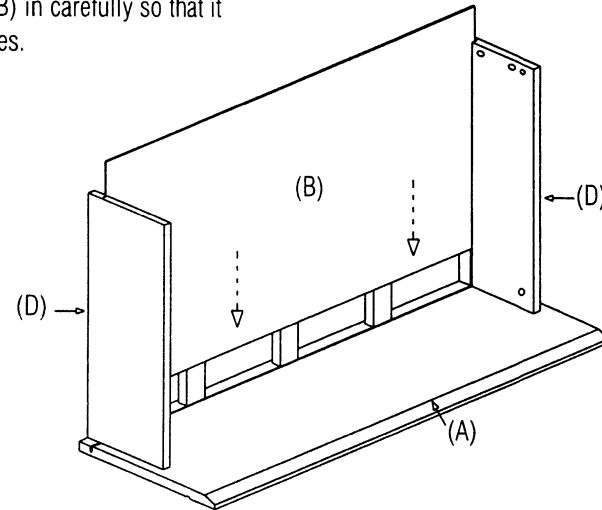
✓ Remember, Leave these Bolts Loose!

Tool required for assembly:
* Phillips Screwdriver
(not supplied)

BEDFORD STORAGE BOX 315

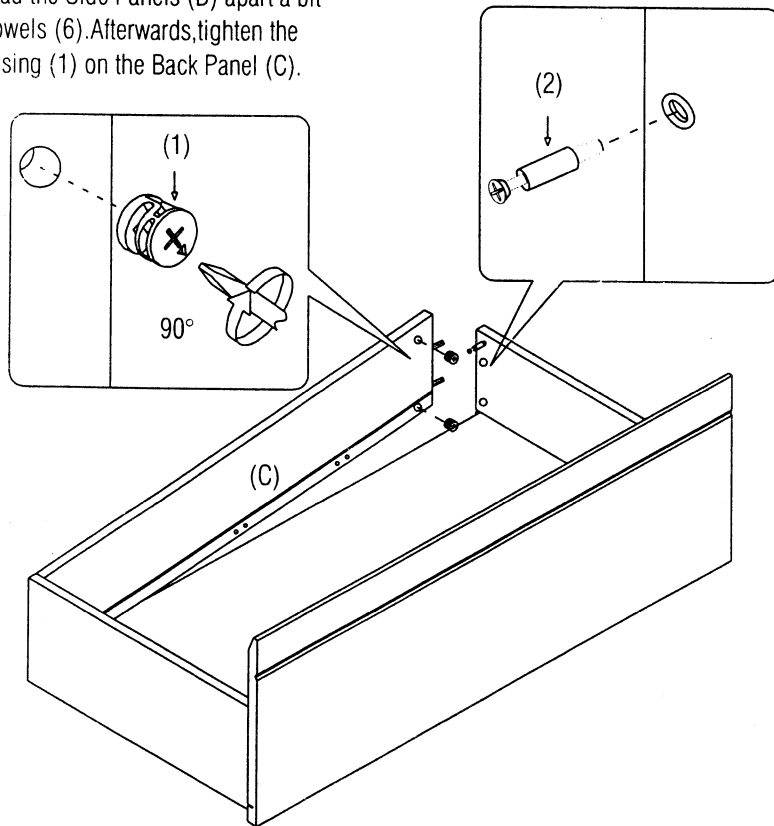
3 Fit the Drawer Bottom (B).

Guide the Drawer Bottom (B) in carefully so that it won't jump out of its grooves.



4 Fit the Back Panel (C).

Fit the Nylon Socket (3) & Connecting Bolt (2). Gently spread the Side Panels (D) apart a bit to fit the dowels (6). Afterwards, tighten the Minifix Housing (1) on the Back Panel (C).



5 Fit the Pan Head Screw (4) to the Support Rails (E).

From the bottom, use 32mm Pan Head Screw (total 6) to fix the Supports Rails (E) to both ends.

