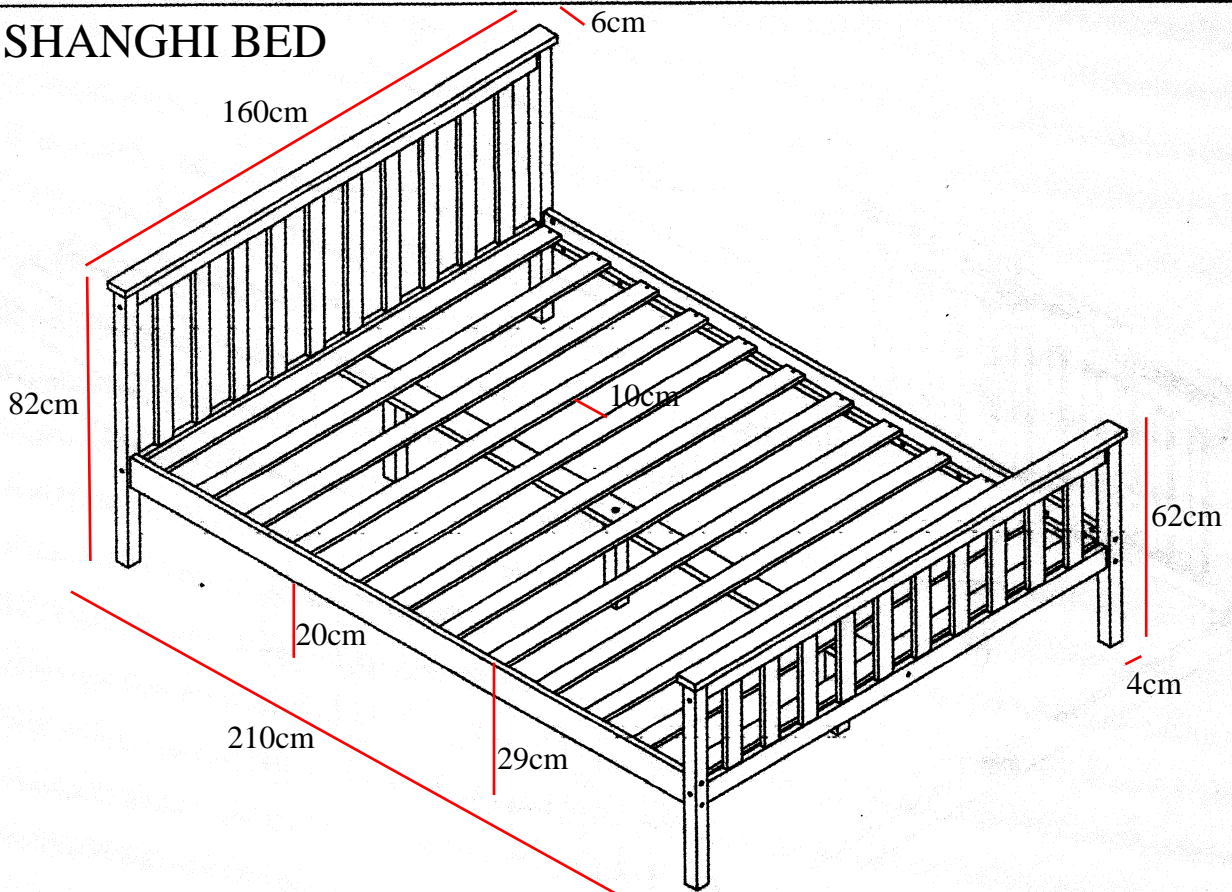

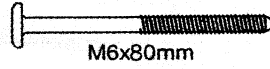

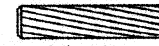



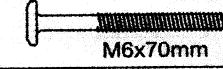

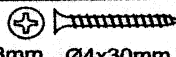



5FT SHANGHI BED

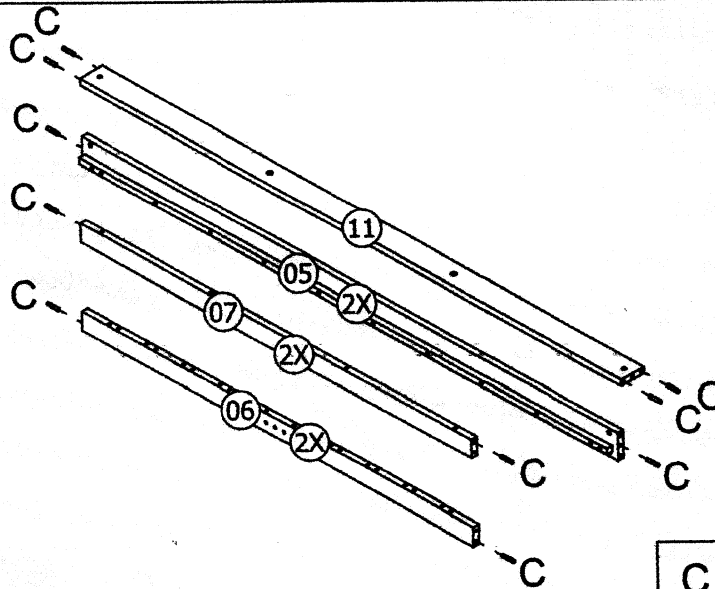


HARDWARE

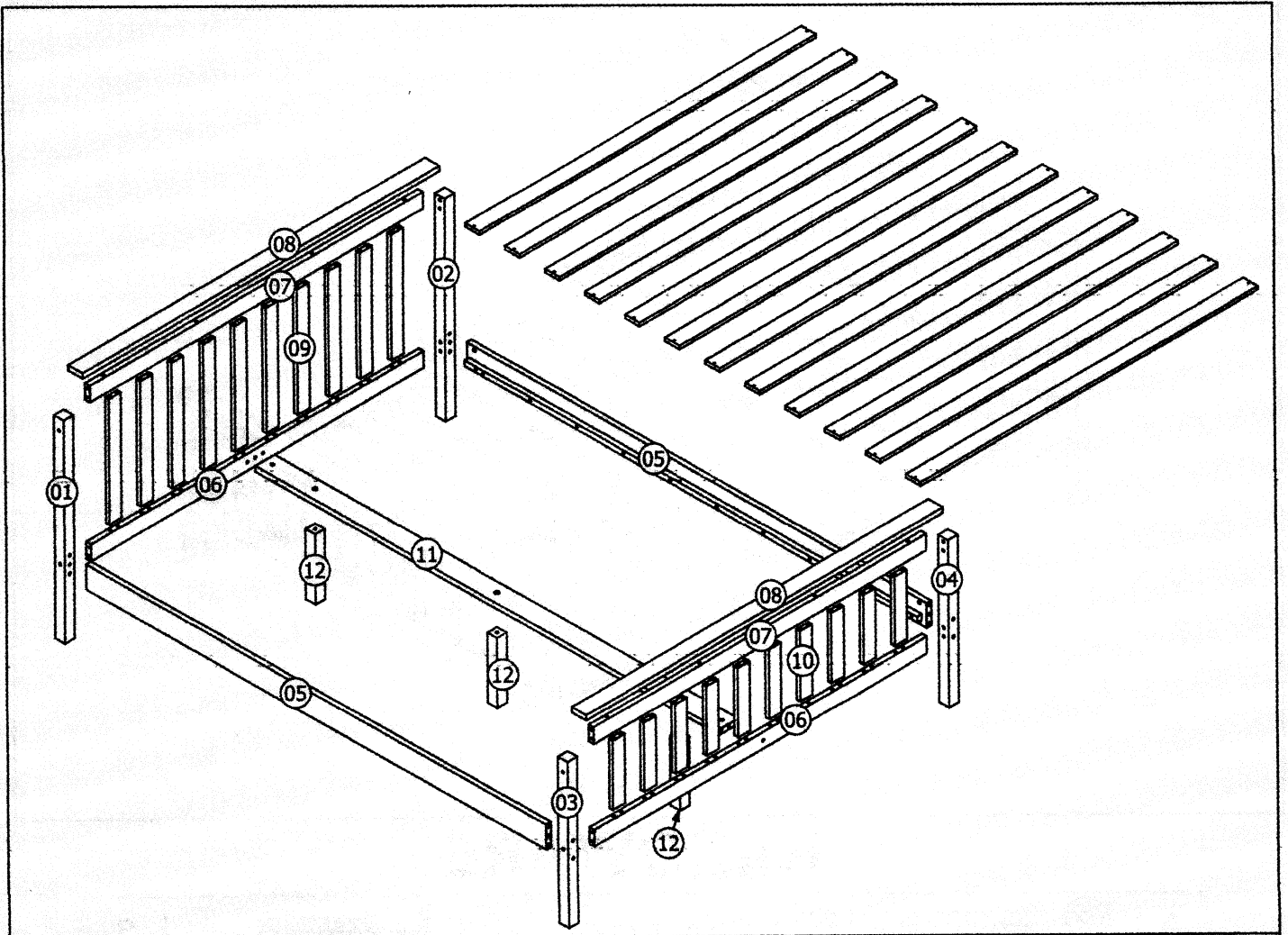
A	 	16
B		16
C	 $\varnothing 8 \times 30 \text{mm}$	128
D	 15mm	16
J	 12mm	2

E	 	8
F		1
G	 8mm $\varnothing 4 \times 30 \text{mm}$	24
H	 $\varnothing 7 \times 60$	5

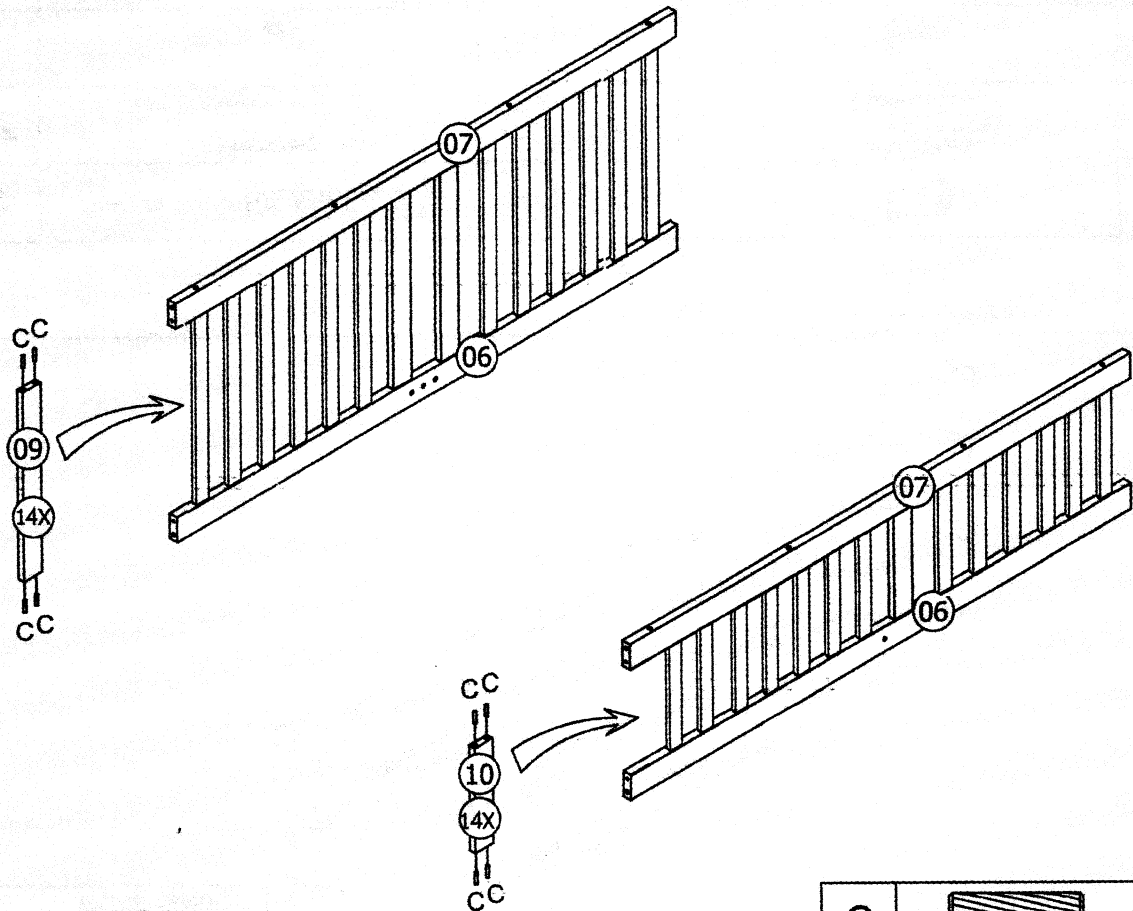
01




C	 $\varnothing 8 \times 30 \text{mm}$	16
---	---	----

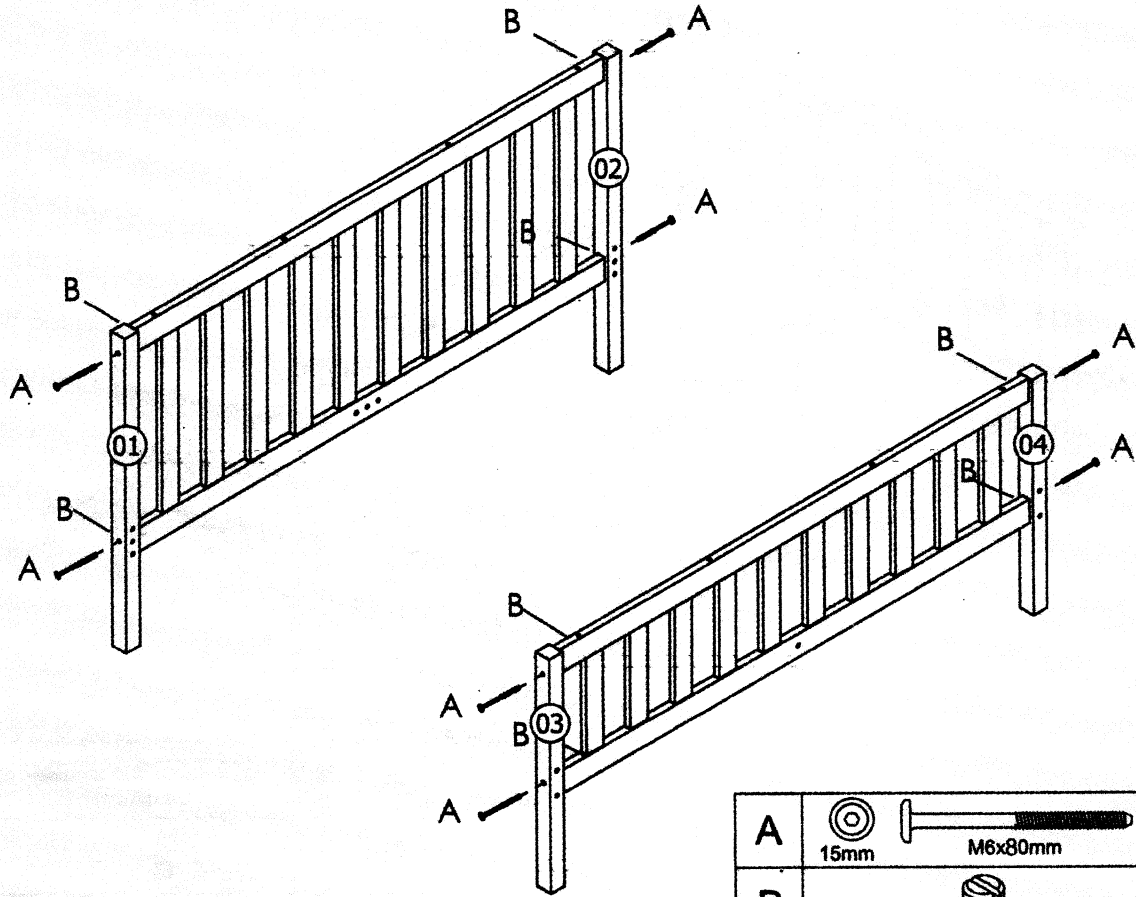



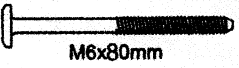

02



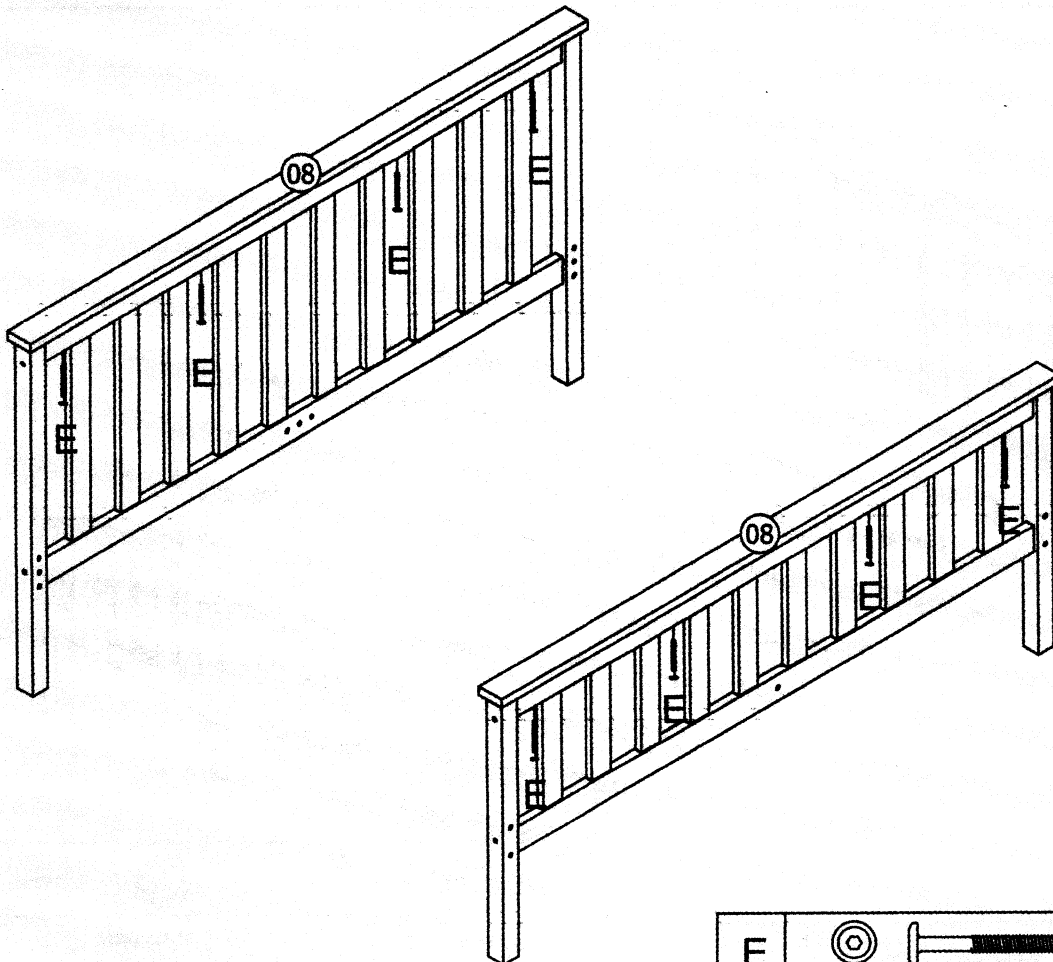
C	 Ø8x30mm	112
---	--	-----


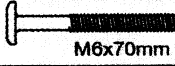
03



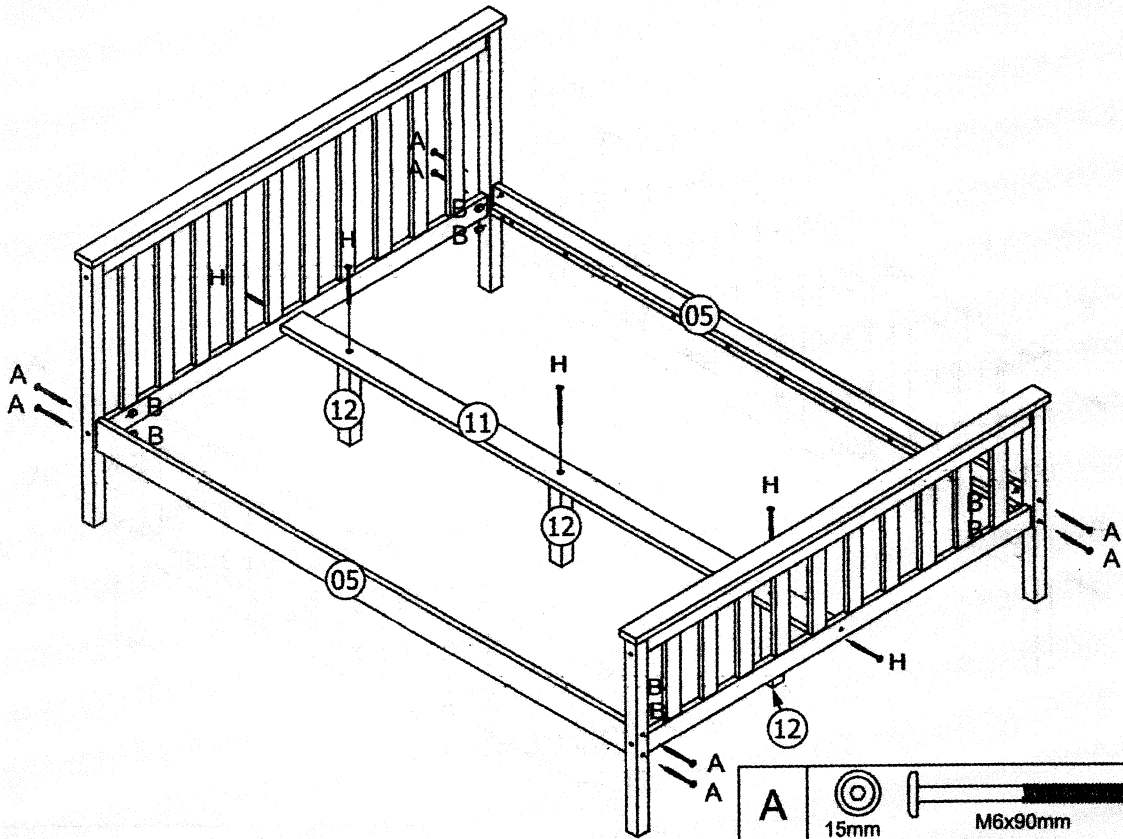
A	 	8
B		8


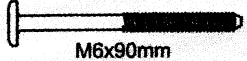


04



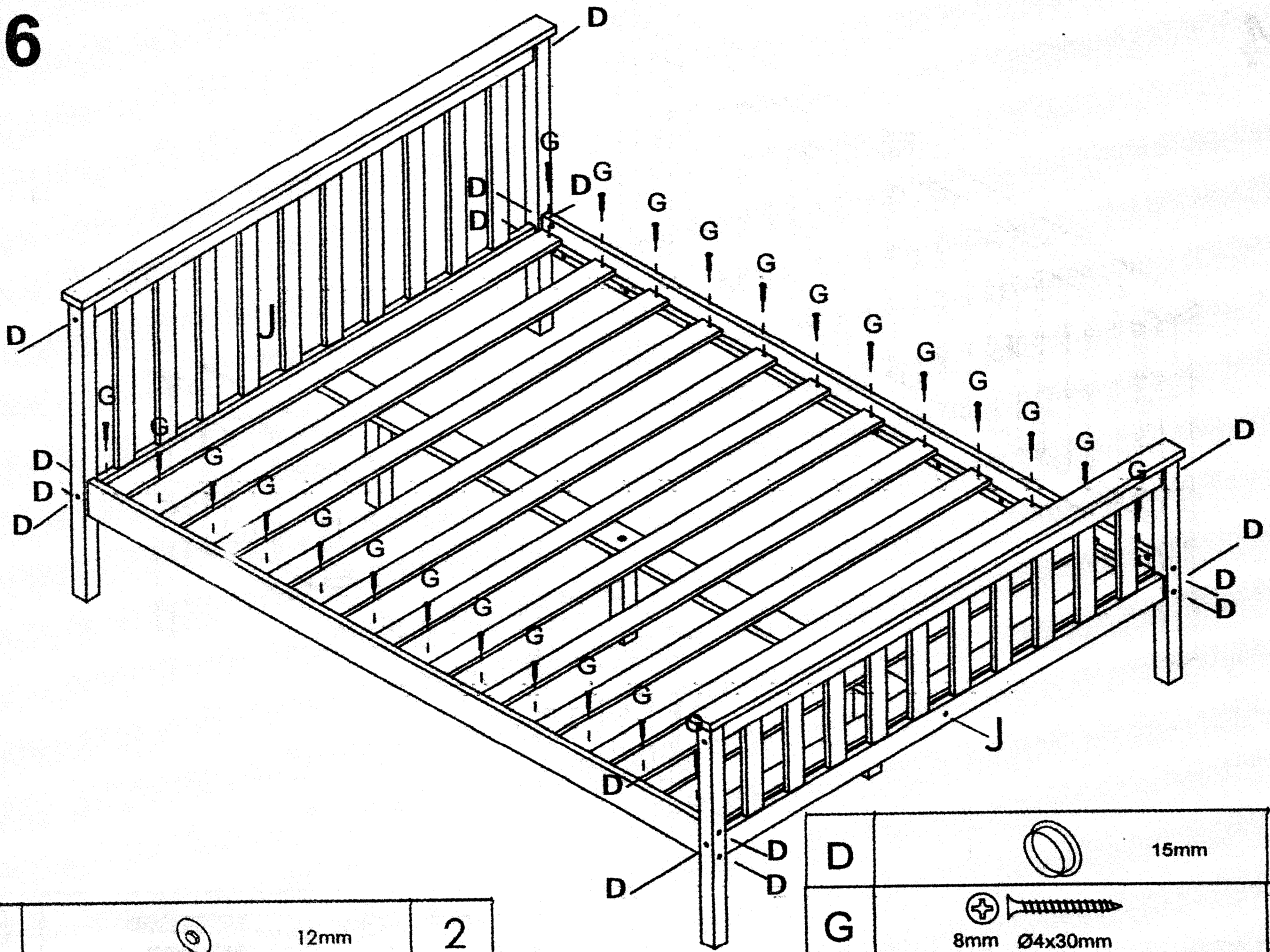
E	 	8
---	---	---


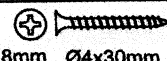
05




A	 15mm	 M6x90mm	08
B			08
H		∅7x60	05

06



D		15mm	16
G		8mm ∅4x30mm	24

J		12mm	2
---	---	------	---