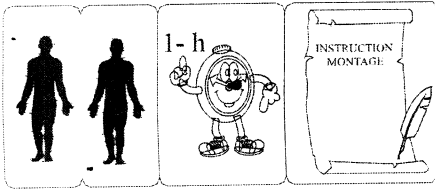
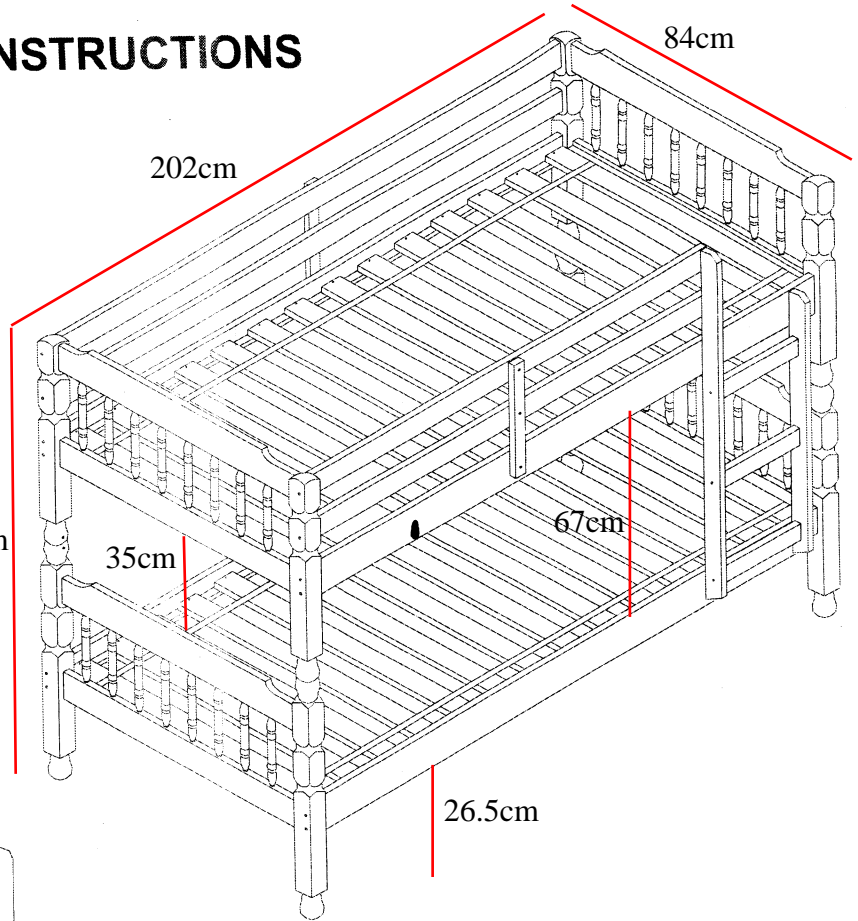
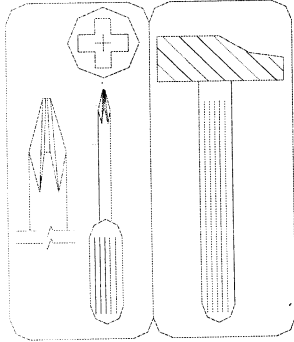


2'6

3'0 AMANI BUNK BED INSTRUCTIONS



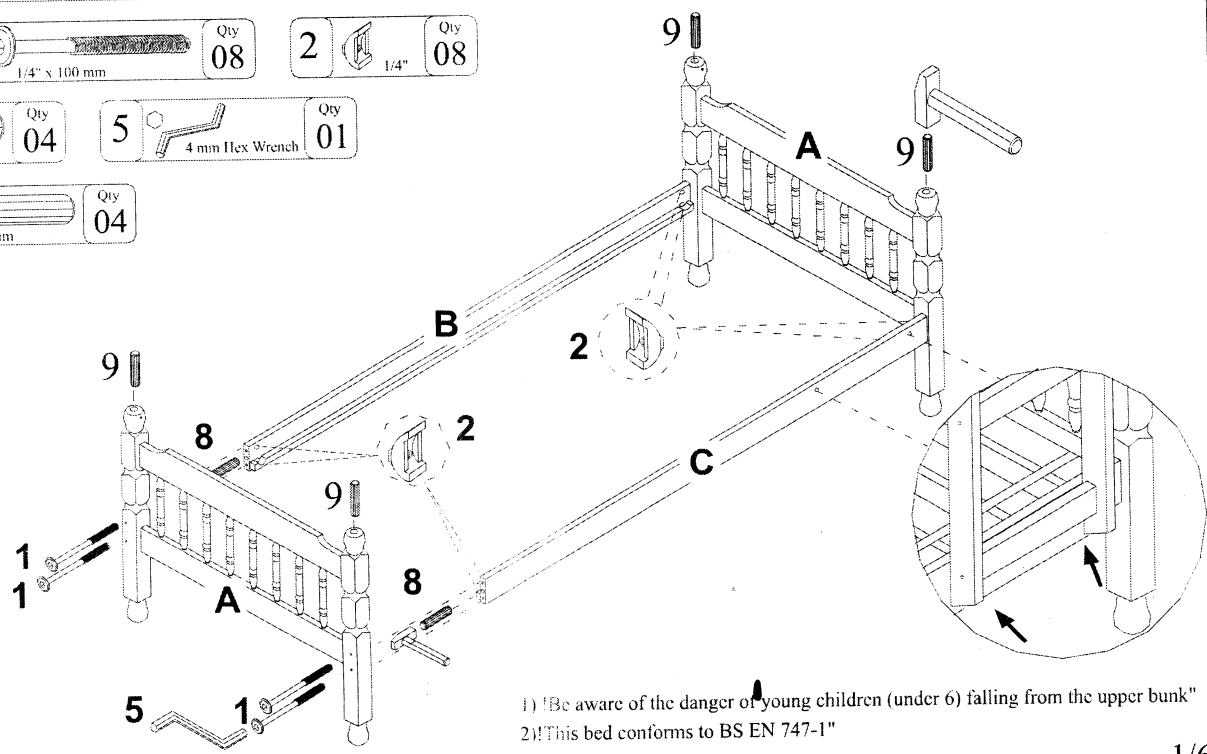
TOOLS REQUIRED:



HARDWARE (SEPARATE)

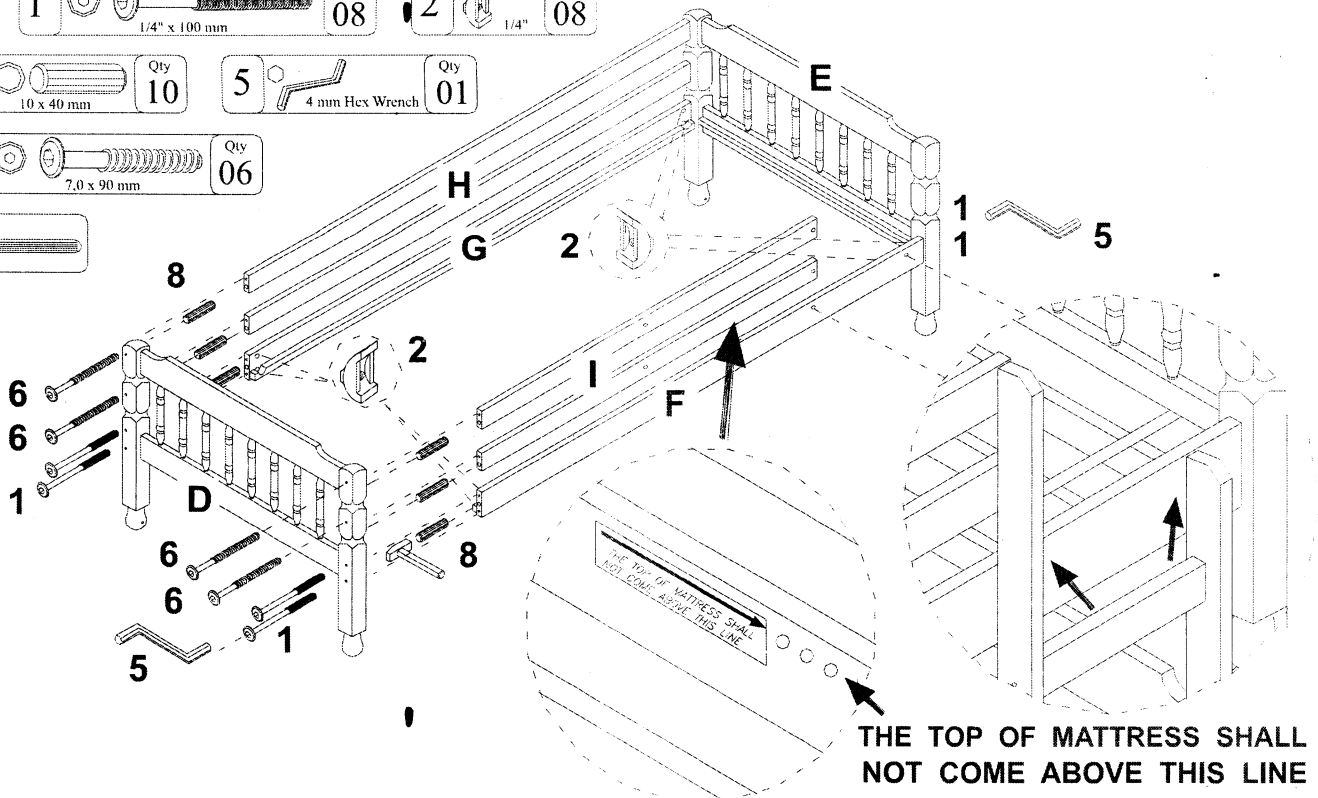
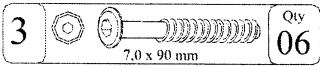
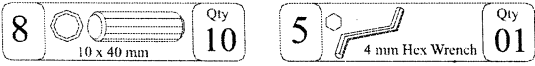
- | | | | | | | | | |
|---|--|--------|---|--|--------|---|--|--------|
| 1 | | Qty 16 | 5 | | Qty 01 | 8 | | Qty 20 |
| 2 | | Qty 16 | 6 | | Qty 02 | 9 | | Qty 04 |
| 3 | | Qty 06 | 7 | | Qty 70 | | | |
| 4 | | Qty 12 | | | | | | |

- 1)**
- | | | | | | |
|----|--|--------|---|--|--------|
| 1 | | Qty 08 | 2 | | Qty 08 |
| 8 | | Qty 04 | 5 | | Qty 01 |
| 10 | | Qty 04 | | | |

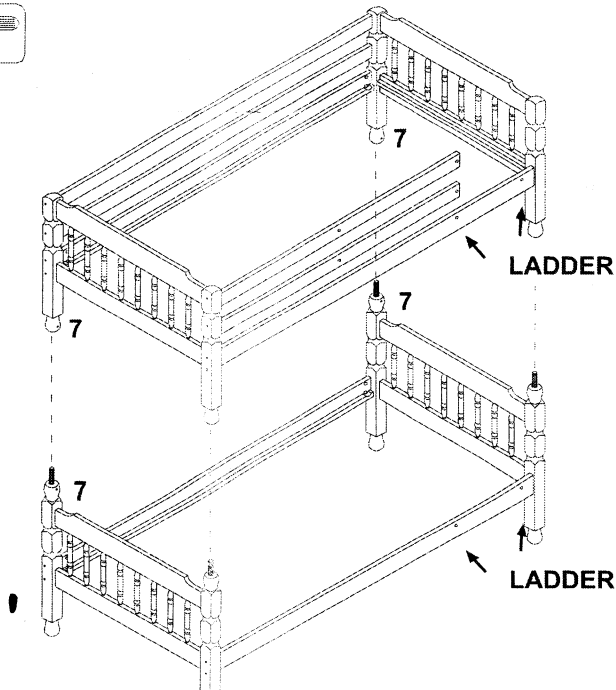
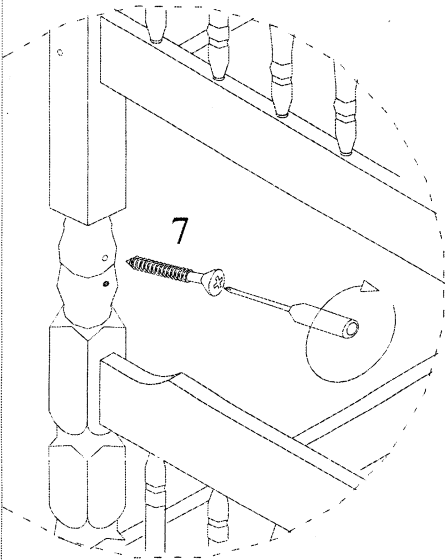
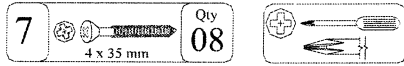


1) "Be aware of the danger of young children (under 6) falling from the upper bunk"
 2) "This bed conforms to BS EN 747-1"

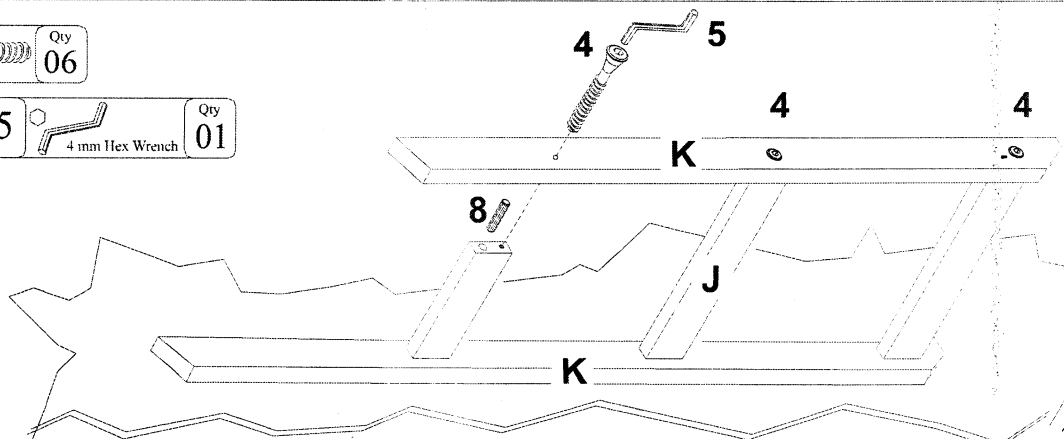
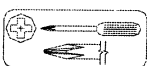
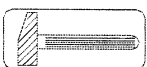
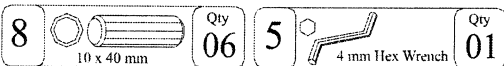
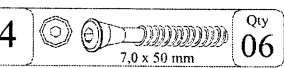
2)



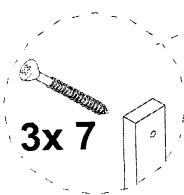
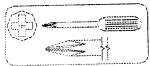
3)



4)

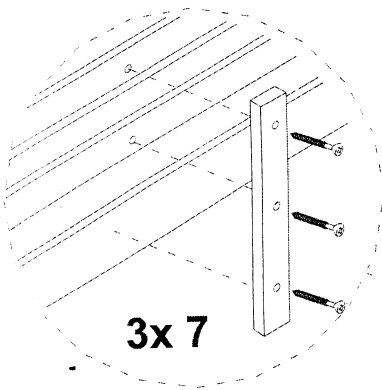


5 4 mm Hex Wrench Qty 01

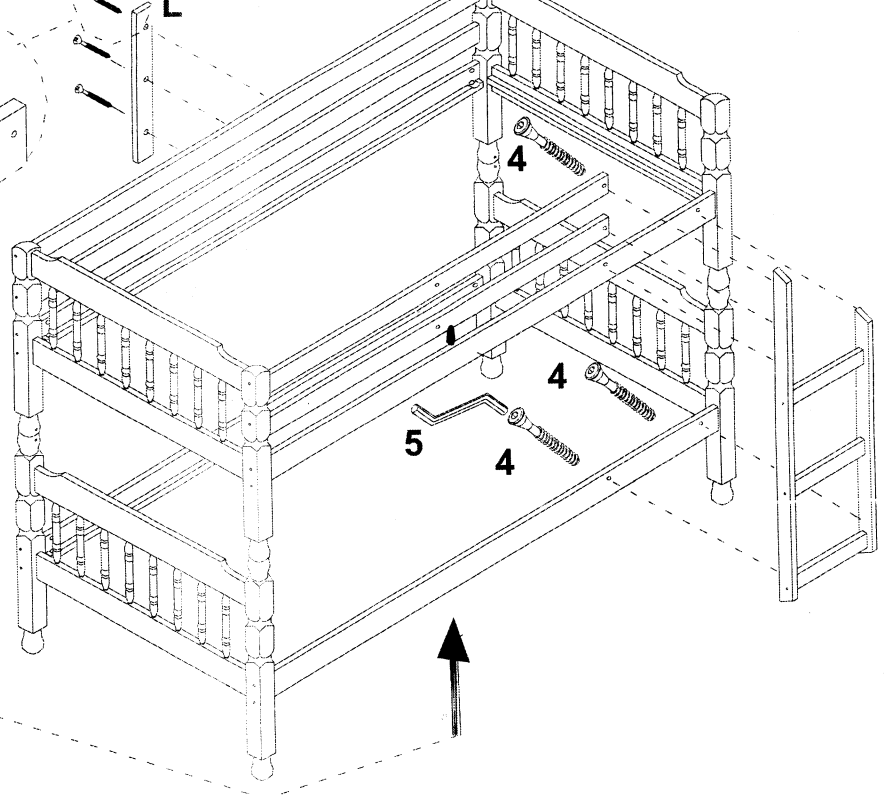


3x 7

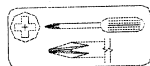
7 4 x 35 mm Qty 06



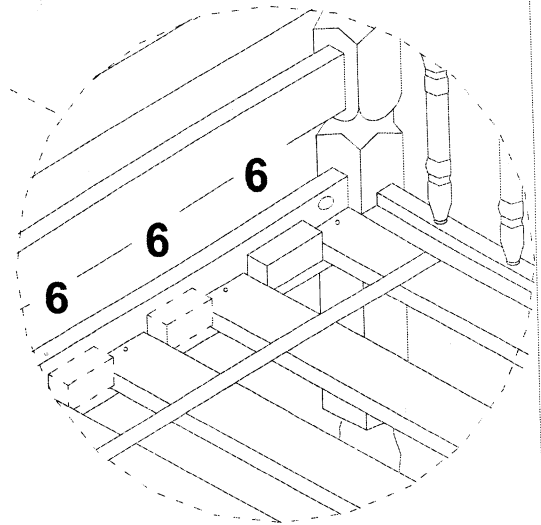
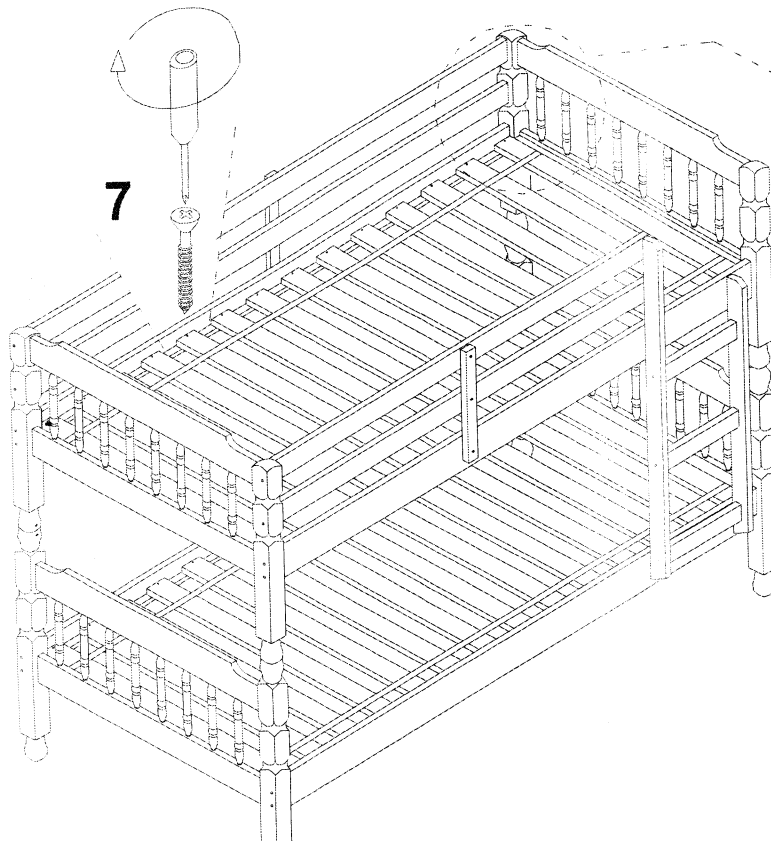
3x 7



6) 7 4 x 35 mm Qty 56



6 Spacer Block Qty 02



AMANI SPINDLE BUNK BED ASSEMBLY INSTRUCTIONS. TOOLS REQUIRED : Hammer, Posidrive Screwdriver and Allen Key (provided)

LOWER BED ASSEMBLY

Fig 1)

- 1) Identify two lower bunk ends 2 x (A) each having dowel holes in the top of the leg#see diagram). Identify two side rails (B) and (C) Rail (C) has two small screw holes on the outside face at one end. This is to fix the ladder later in Fig 5.
- 2) Identify dowels 4 x (8) Locate one dowel into the centre hole at the end of each side rail.
- 3) Position the side rails to the bunk ends locating the dowel into centre hole of the three.
- 4) Locate Half Moons 8 x (2) into the 4 holes on the inside of each side rail. Locate bolts (1) through the legs into side rails and screw into the Half Moons. Tighten bolts using (5)

UPPER ASSEMBLY

Fig 2)

- 5) Repeat steps 1-4 above, using upper bunk ends (D) and (E) and side rails (F) and (G) do not tighten the bolts at this stage . Ensure the side rail (F) with the pre-drilled holes for the ladder is on the same side as side rail (C).
- 6) Identify 2 long safety rails (H) and locate dowels (8) into the outer two holes of each.
- 7) Position the rails into the legs and locate the bolts (3) through the leg and into the end of the rail and screw using (5). Now tighten all the screws and bolts.
- 8) Identify 2 short safety rails (I) locate dowels (8) into the pre-drilled holes position the rails to the bunk end (D) and tighten.

Fig 3)

- 9) Lift and lower the top bed onto the lower bed positioning onto the dowels (9). Secure the two beds together using 8 x (7) screws.

Fig 4)

- 10) Locate 6 dowels (8) into the ends of the rungs (K) and locate into the ladder uprights (K). Using screws 6-x (4) screw through ladder uprights into rungs.

Fig 5)

- 11) Position the two vertical cleats (L) to the side/safety rails (H + J) on both sides of the top bed and screw in position using 6 x (7).
- 12) Position the ladder to the pre-drilled holes in the side rails (F) and (C) screw from the inside of the rails using 6 x (4) screws.

Fig 6)

- 13) Roll out the slats (mattress supports) onto the supports attached to the side rails, tape uppermost. Using the spacer ensure that the gaps between slats are not more than 75mm or less than 60mm. Screw all slats into position using 28 x (7) screws. Repeat for lower bed.

14) WARNING ! THE MATTRESS MUST NOT COME ABOVE THE MATTRESS LINE ON THE TOP BUNK.

MANUFACTURERS WARNING

MANUFACTURERS WARNING

CHECK THE BUNK REGULARLY FOR STABILITY AND TIGHTEN IF NECESSARY. IF ANY PART SHOULD BECOME DEFECTIVE DO NOT USE SUBSTITUTES#CONTACT YOUR RETAILER FOR THE CORRECT REPLACEMENT PARTS.

CHILDREN MUST NOT BE ALLOWED TO USE THE BUNK AS A CLIMBING FRAME AND THE TOP BED MUST NOT BE USED BY CHILDREN UNDER THE AGE OF SIX. BE AWARE OF DANGER OF YOUNG CHILDREN (UNDER 6) FALLING FROM THE TOP BUNK.

COMPLIANCE TO EN747-1 HAS BEEN MET

WARNING

“Bunk beds and high beds can present a serious risk of injury from strangulation if not used correctly. Never attach or hang items to any part of the bunk bed that are not designed to be used with the bed, for example, but not limited to ropes, strings, cords, hooks, belts and bags”;

WARNING

“Children can become trapped between the bed and the wall, a roof pitch the ceiling adjoining pieces of furniture (e.g. cupboards) and the like. To avoid risk of serious injury the distance between the top safety barrier and the adjoining structure shall not exceed 75mm or shall be more than 230mm”;

Always follow the manufacturer’s instructions;

The recommended size of the mattress(es);

A statement that ventilation of the room is necessary in order to keep the humidity low and to prevent mould in and around the bed;

A statement to check regularly that all assembly fastenings are properly tightened;

The number and year of this European Standard.

Safety Advice

Please take the time to carefully read the whole of these instructions before you commence.

Keep these instructions for future reference.

Please dispose of all packaging safely.

Small component parts could choke a child if swallowed.

We strongly recommend that you keep children well away from the work area.

It would be sensible to lay a sheet or blanket on the floor where you intend to work to avoid scratching this product or your floor.

This product is heavy, take extreme care when lifting to avoid personal injury or damage to the product.

Assemble the product as close to its intended final position in the room as possible.

Please check the contents of the boxes before attempting to assemble this product. A full check list of parts and fittings are shown on page one.

IMPORTANT-READ CAREFULLY-RETAIN FOR FUTURE REFERENCE.

WARNING: High beds and the upper bed of bunk beds are not suitable for children under six years due to the risk of injury from falls.

WARNING: Bunk beds and high beds can present a serious risk of injury from strangulation if not used correctly.

Never attach or hang items to any part of the bed that are not designed to be used with the bed, for example, ropes, strings, cords, hooks, belts and bags.

WARNING: Children can become trapped between the bed and the wall, a roof pitch, the ceiling, adjoining pieces of furniture (e.g. cupboards) and the like. To avoid risk of serious injury, the distance between the top safety barrier and the adjoining structure shall not exceed 75mm or shall be more than 230mm.

WARNING: Do not use the bunk bed/high bed if any structural part is broken or missing and always follow the manufacturer's instructions.

The largest size of the mattress recommended for sale is 1900mm x 900mm with a maximum thickness of 152mm (6 inches).

Frequent ventilation of the room is necessary to ensure that humidity is kept low and to prevent mould forming in and around the bed.

We strongly recommend regular checks on all assembly fastenings to ensure they are properly tightened.

This Bunk complies with BS EN 747-1:2012+A1:2015