

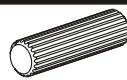
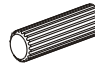

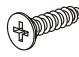


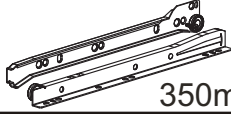
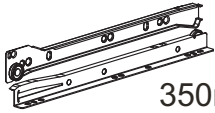

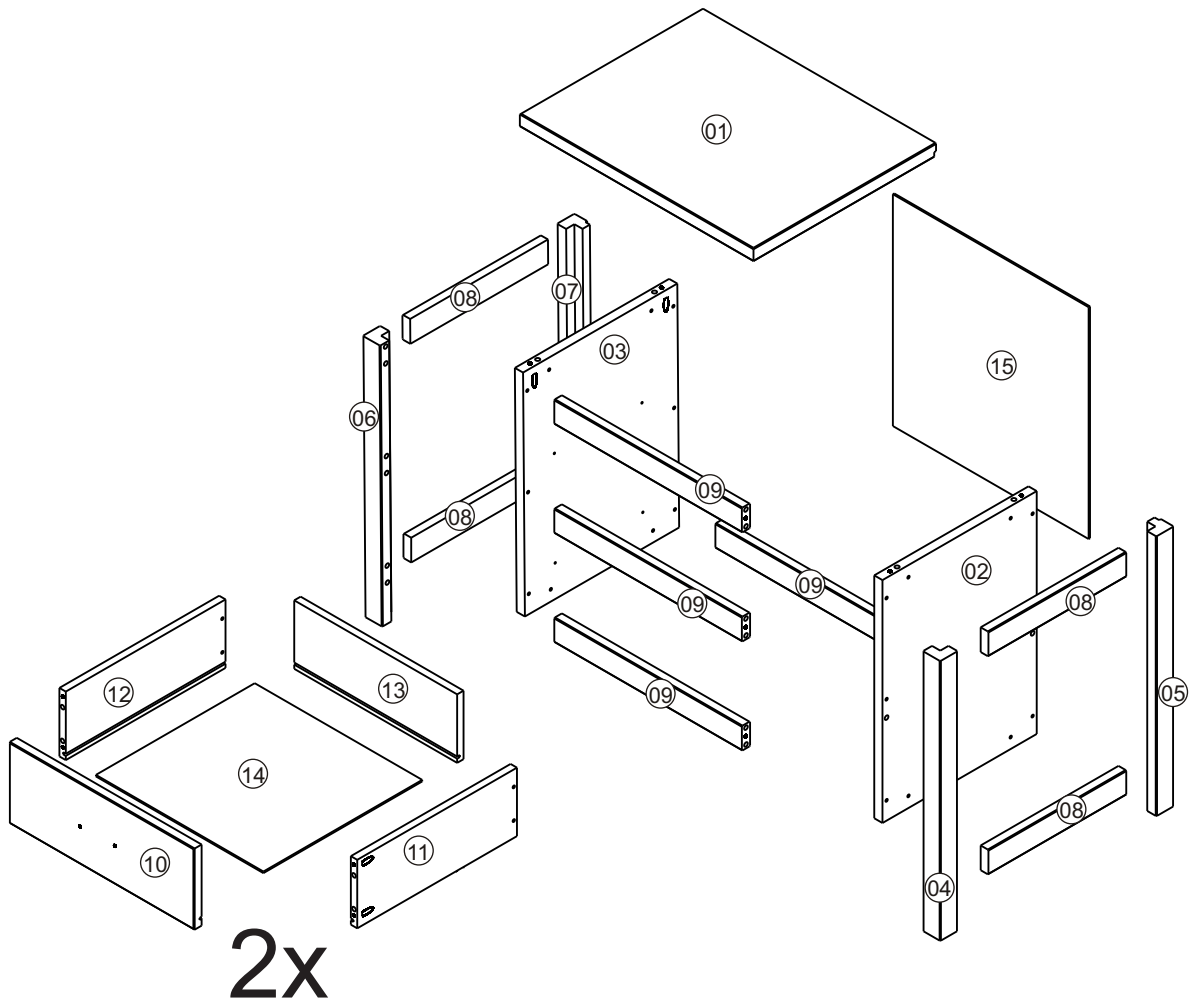
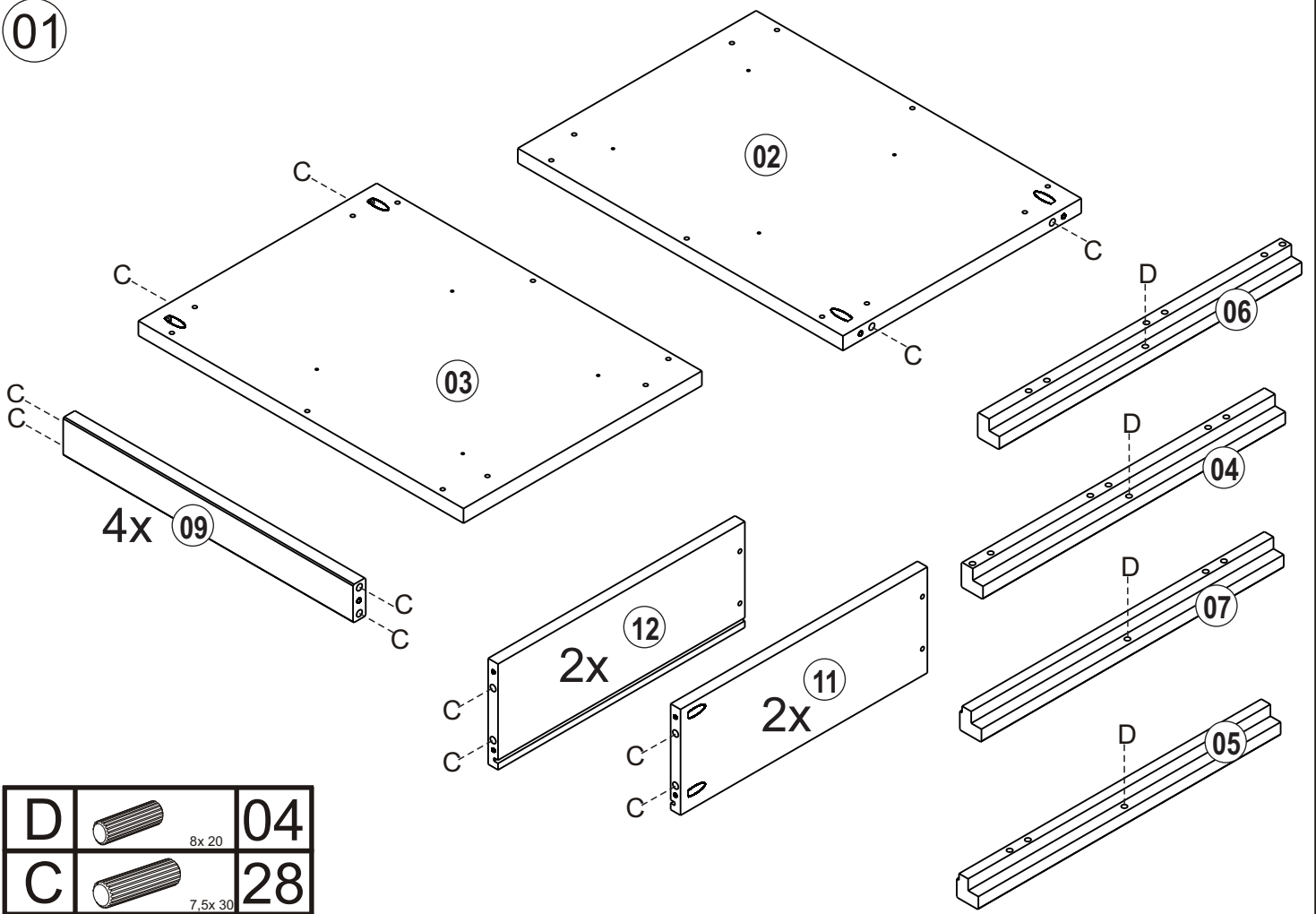

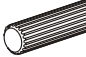


A	 4 x 30	36
B	 3.5 x 30	12
C	 7,5 x 30	28
D	 8 x 20	04
E	 M4 x 22	04
F	 3.5 x 16	08
G		02
H		14
I	 350mm	02
J	 350mm	02
K	 6 x 10	08

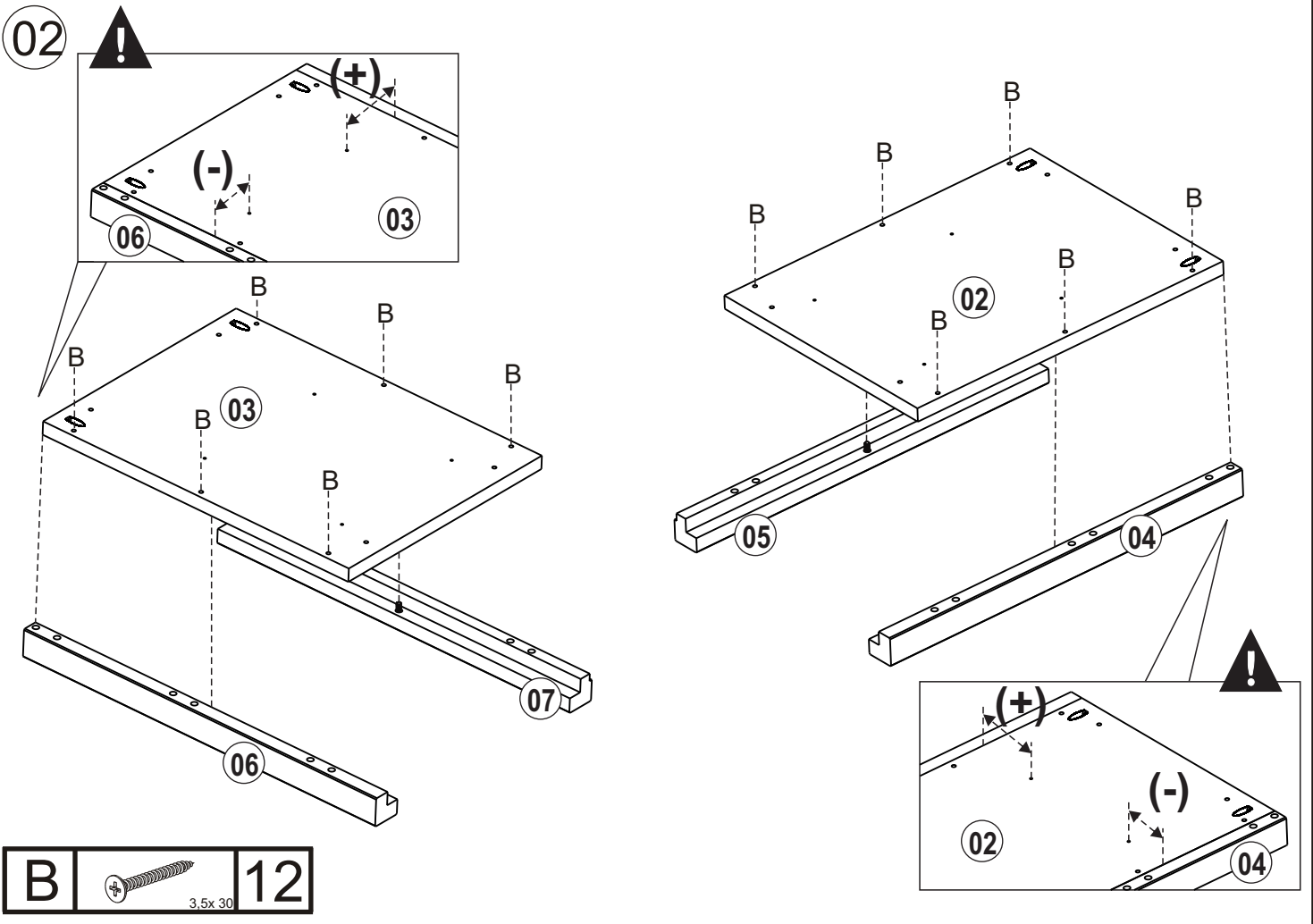



01



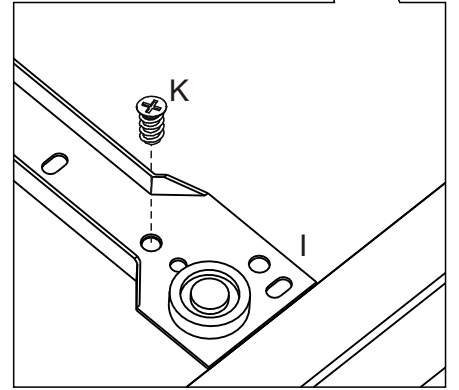
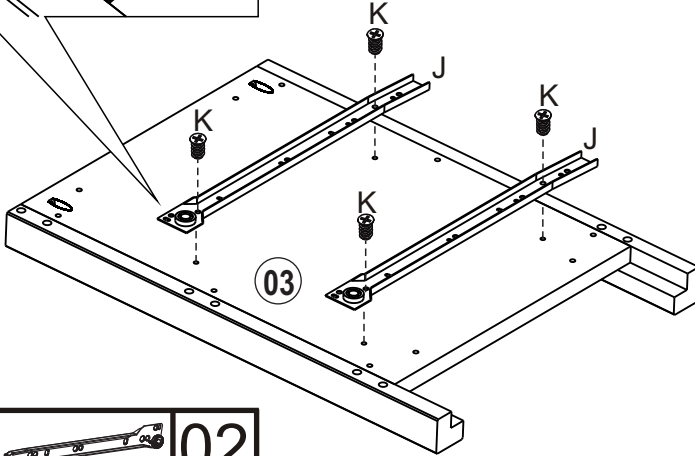
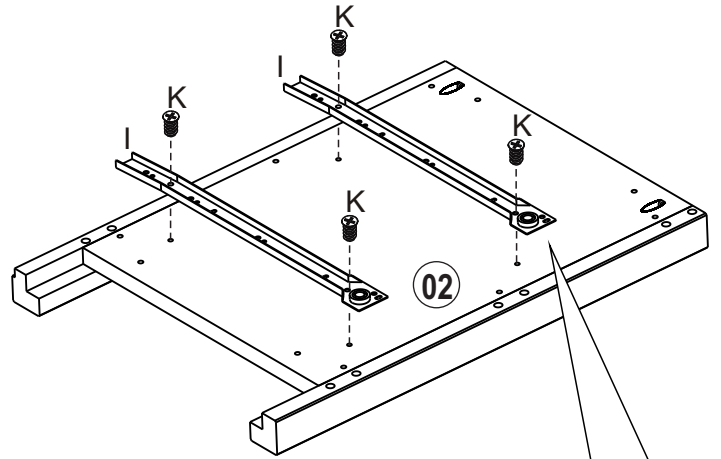
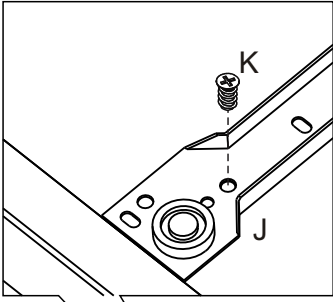
D	 8x 20	04
C	 7,5x 30	28

02



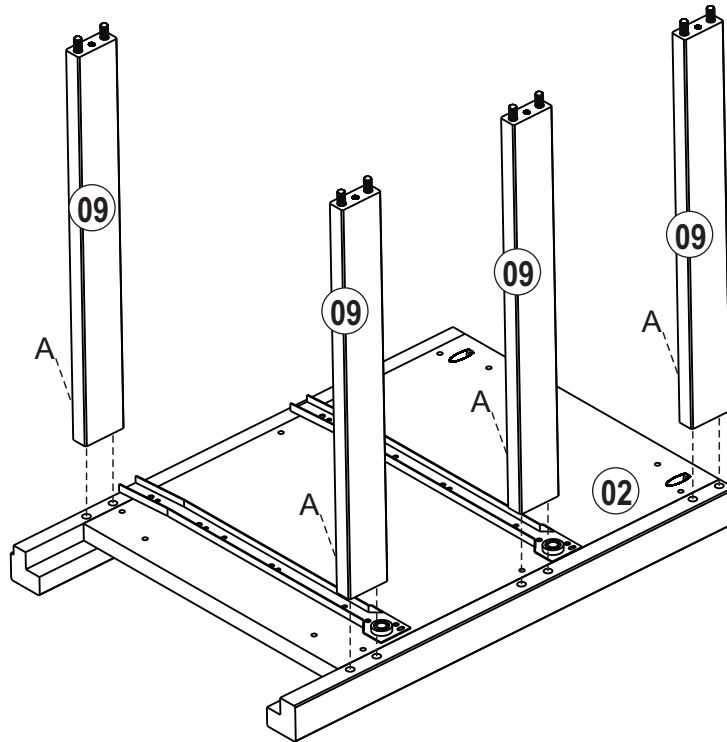
B	 3,5x 30	12
---	---	----

03



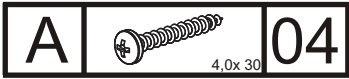
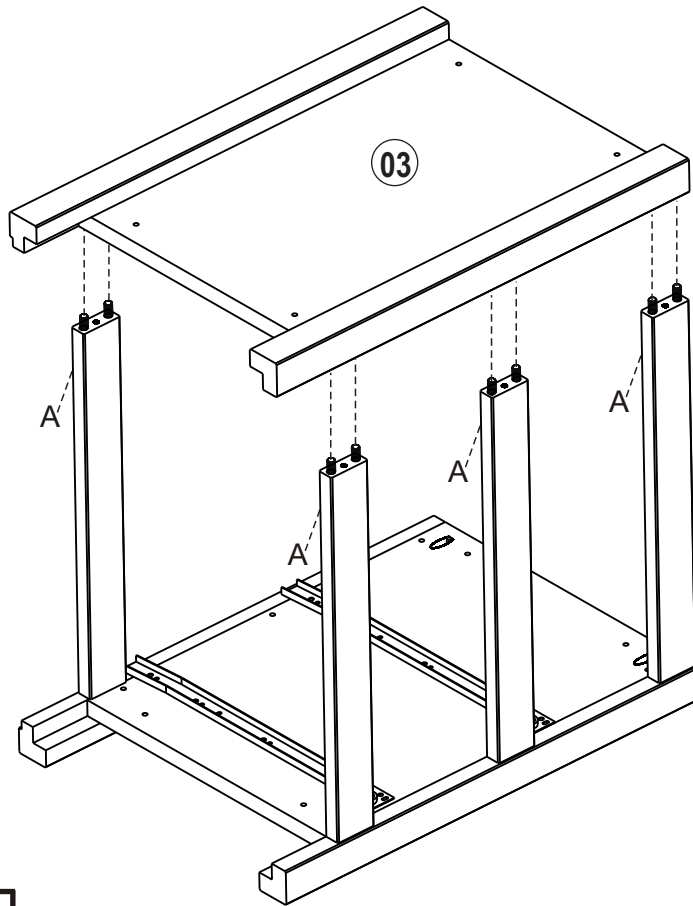
I		02
J		02
K		08

04

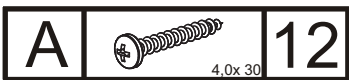
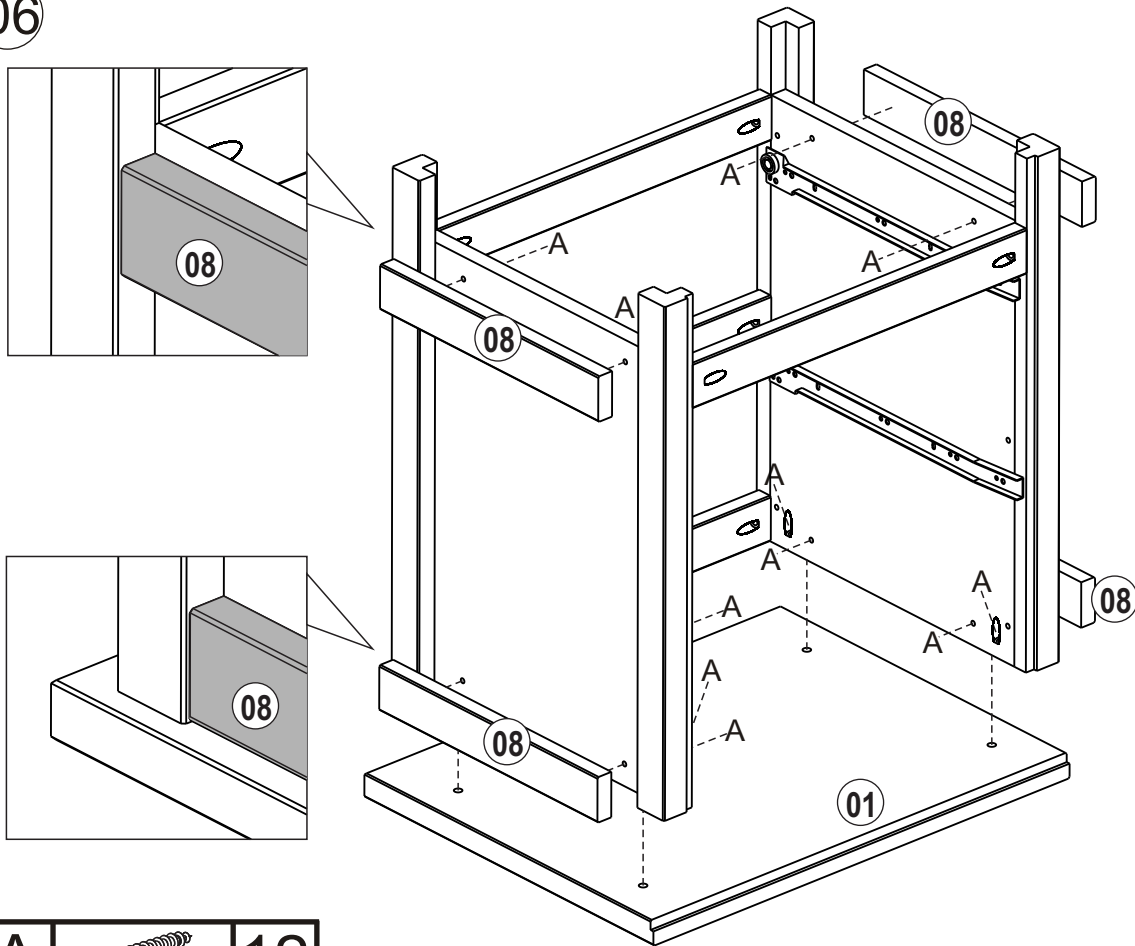


A		04
---	--	----

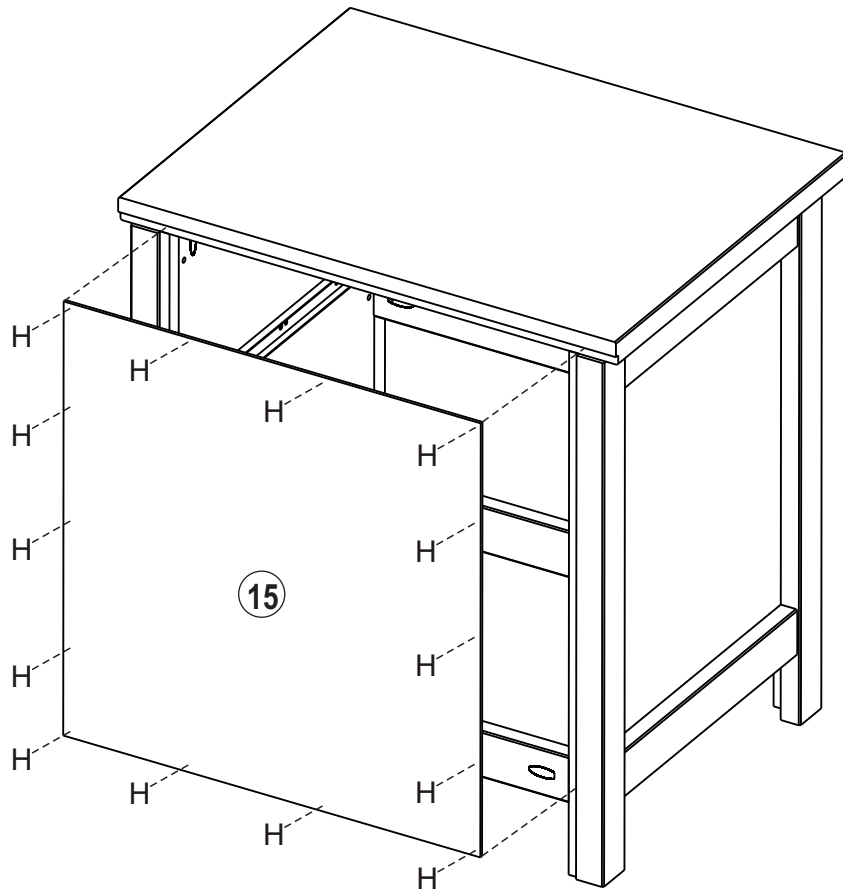
05




06



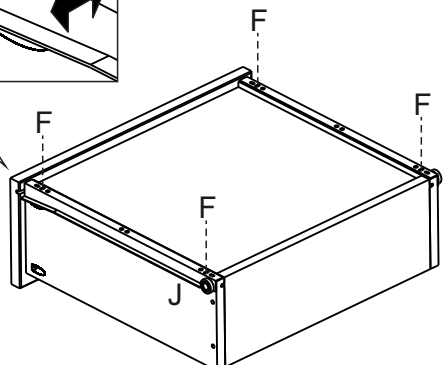
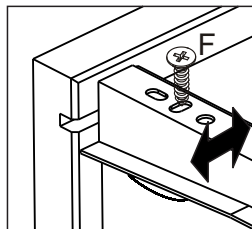
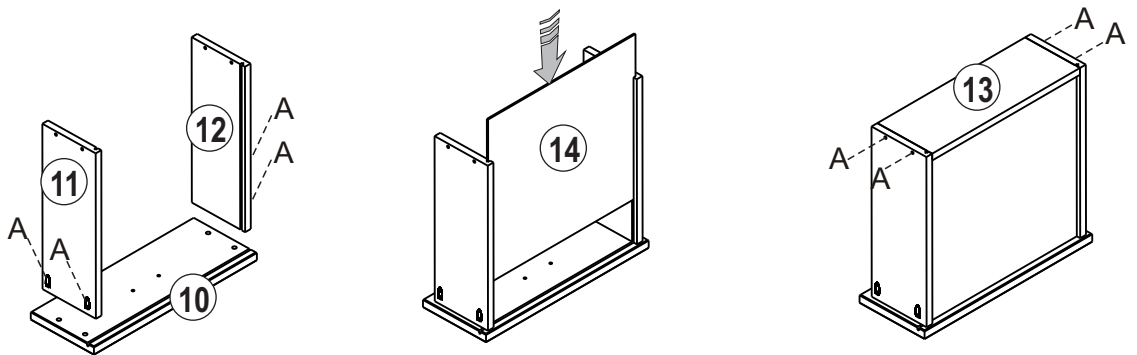
07




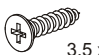


H		14
---	--	----

08

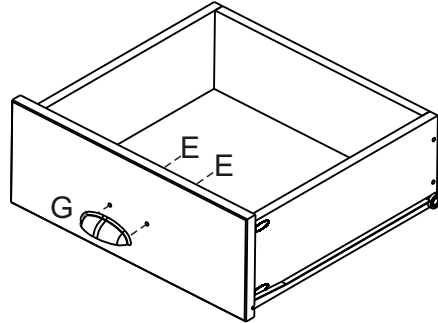
x2





A		16
I		02
J		02
F		08

09

x2



G		02
E	 M4x22	04

10

