

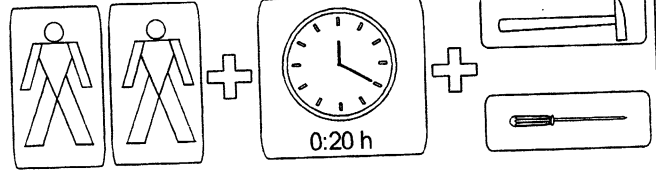
# ASSEMBLY INSTRUCTIONS

## UNDERBED PEMBROOK

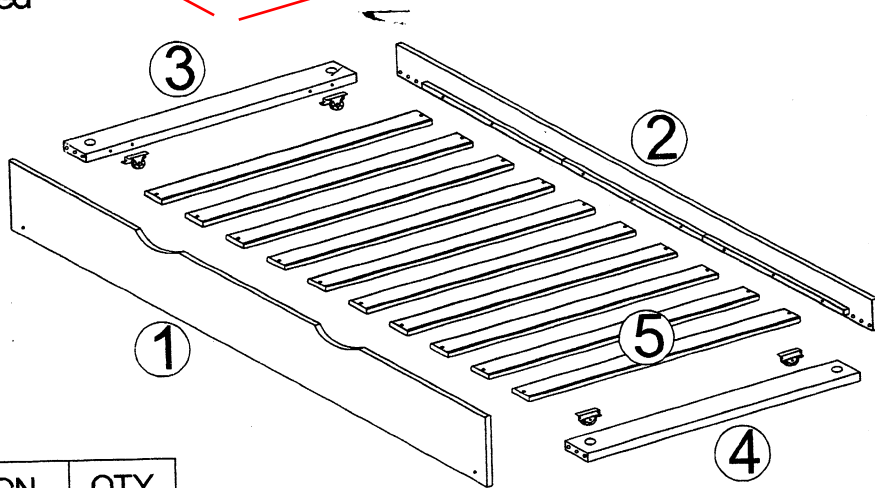
26cm

189cm

95cm

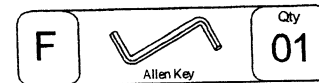
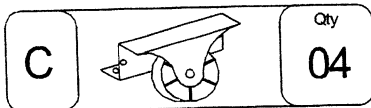
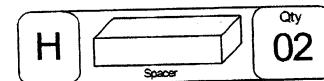
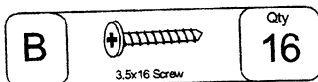
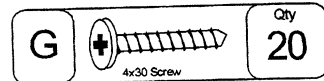
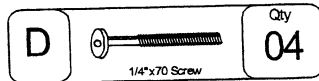
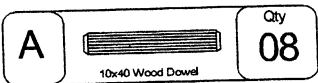


### Part List - Underbed




ITEM	DESCRIPTION	QTY
1	UNDERBED FRONT	01
2	UNDERBED BACK	01
3	R/H CROSSBEAM	01
4	L/H CROSSBEAM	01
5	SLATS	10

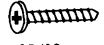
### Identifying the Hardware

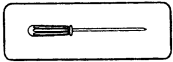
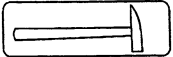


### Step 01

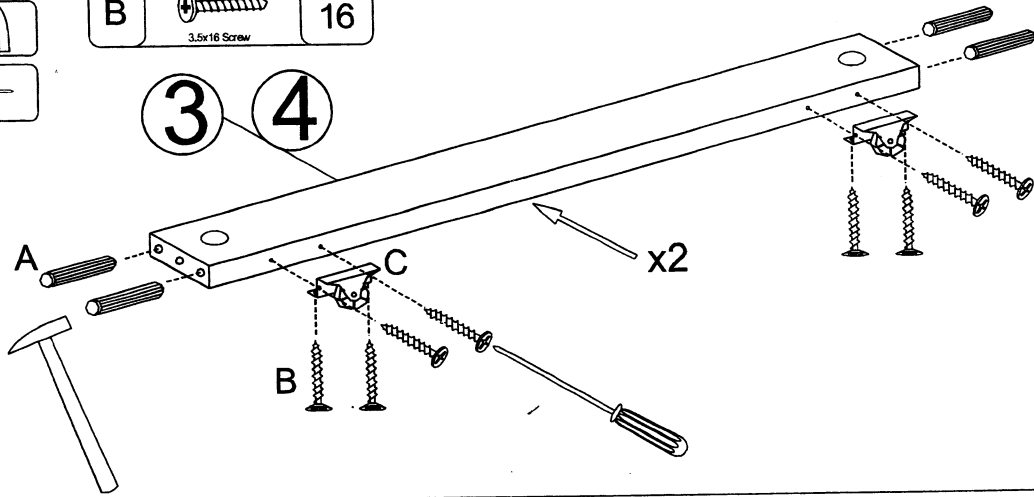
A  Qty 08

C  Qty 04

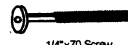
B  Qty 16




3 4

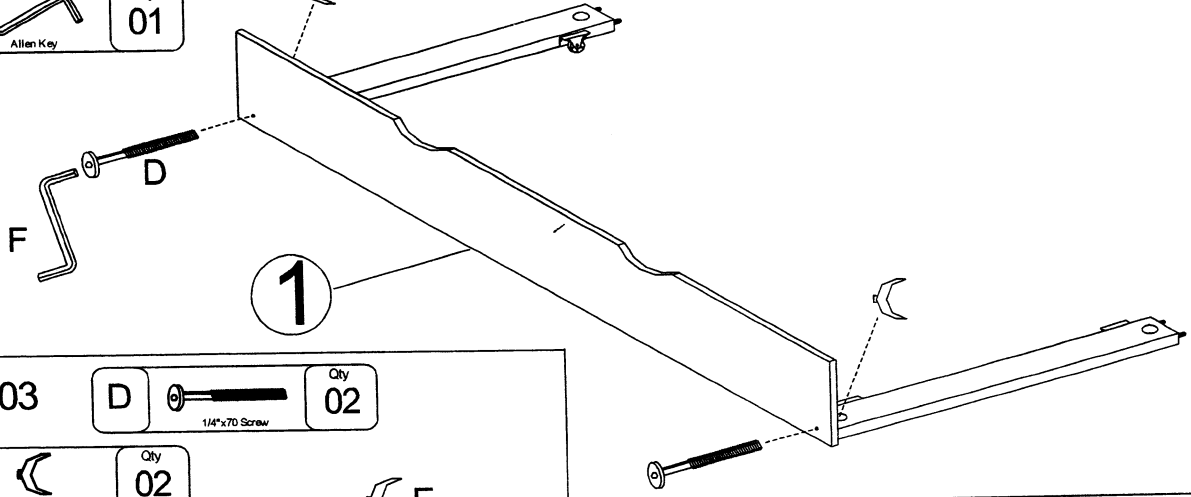
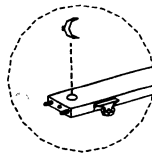


### Step 02

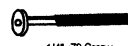
D  Qty 02

E  Qty 02

F  Qty 01

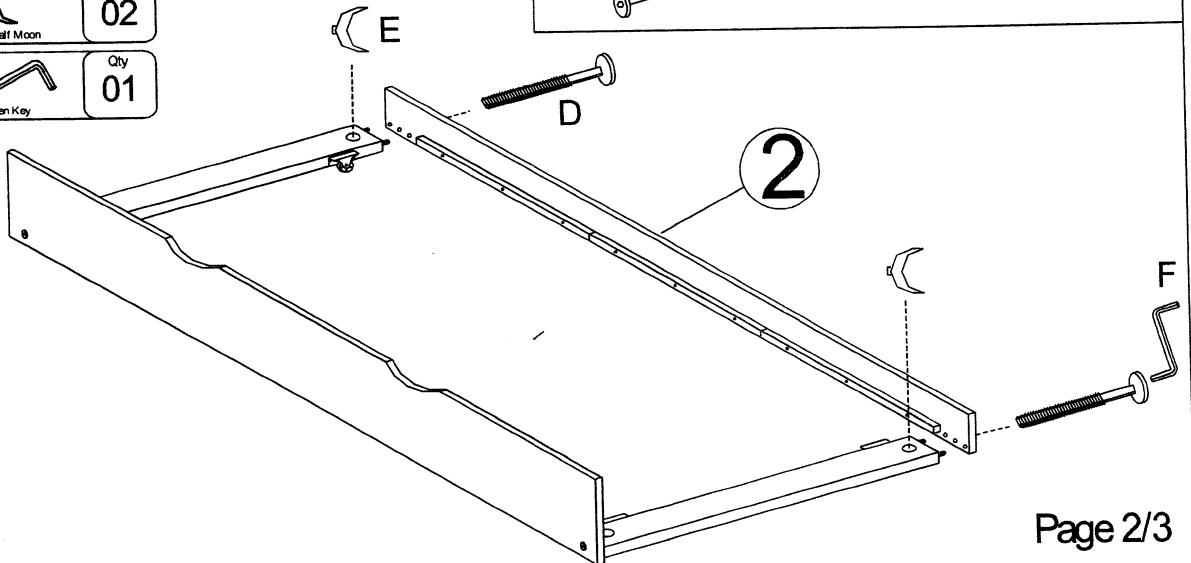


### Step 03

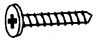
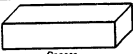
D  Qty 02

E  Qty 02

F  Qty 01



# Step 04

- |   |   |           |
|---|---|-----------|
| G |  | Qty<br>20 |
| H |  | Qty<br>02 |
- 