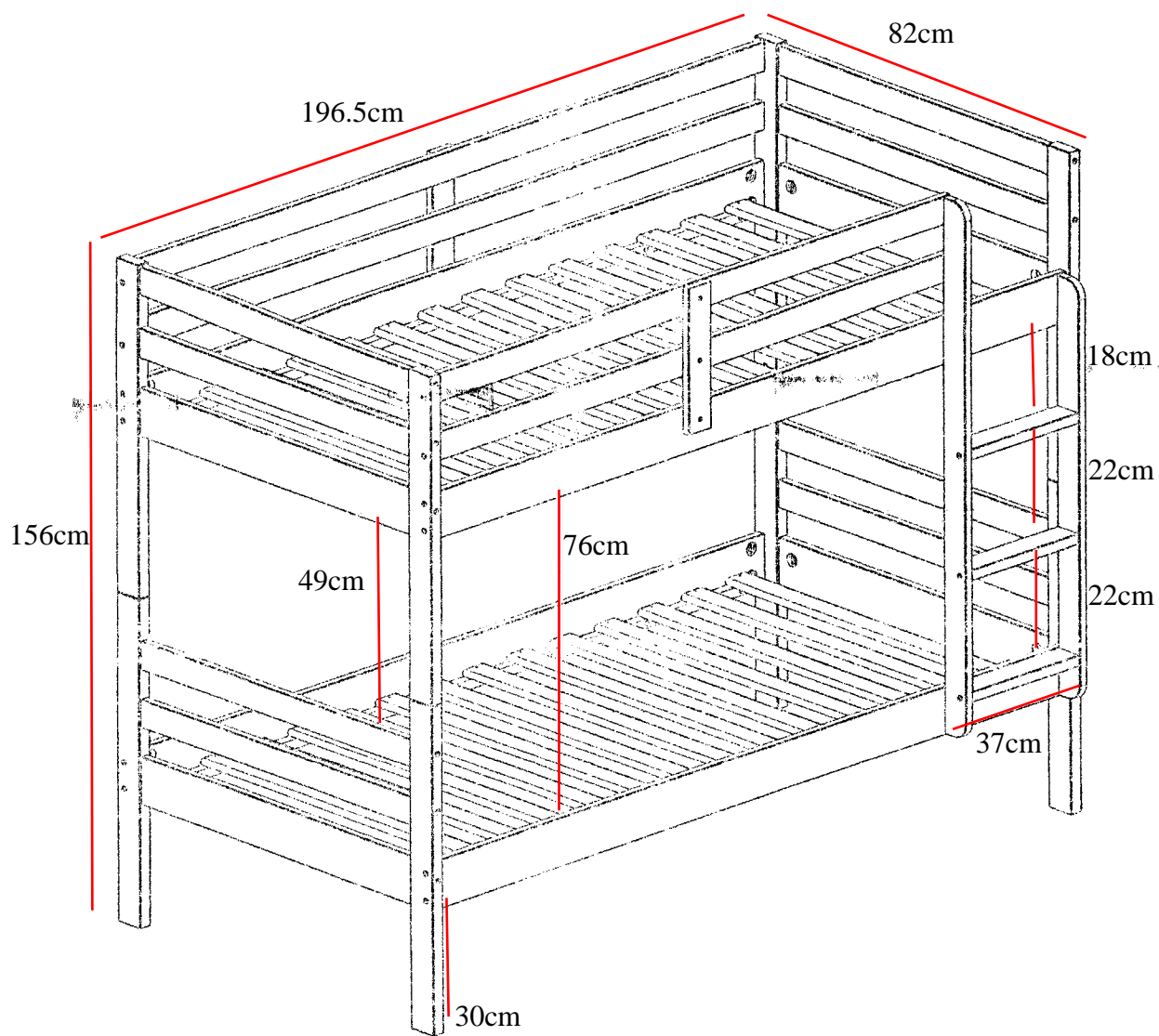
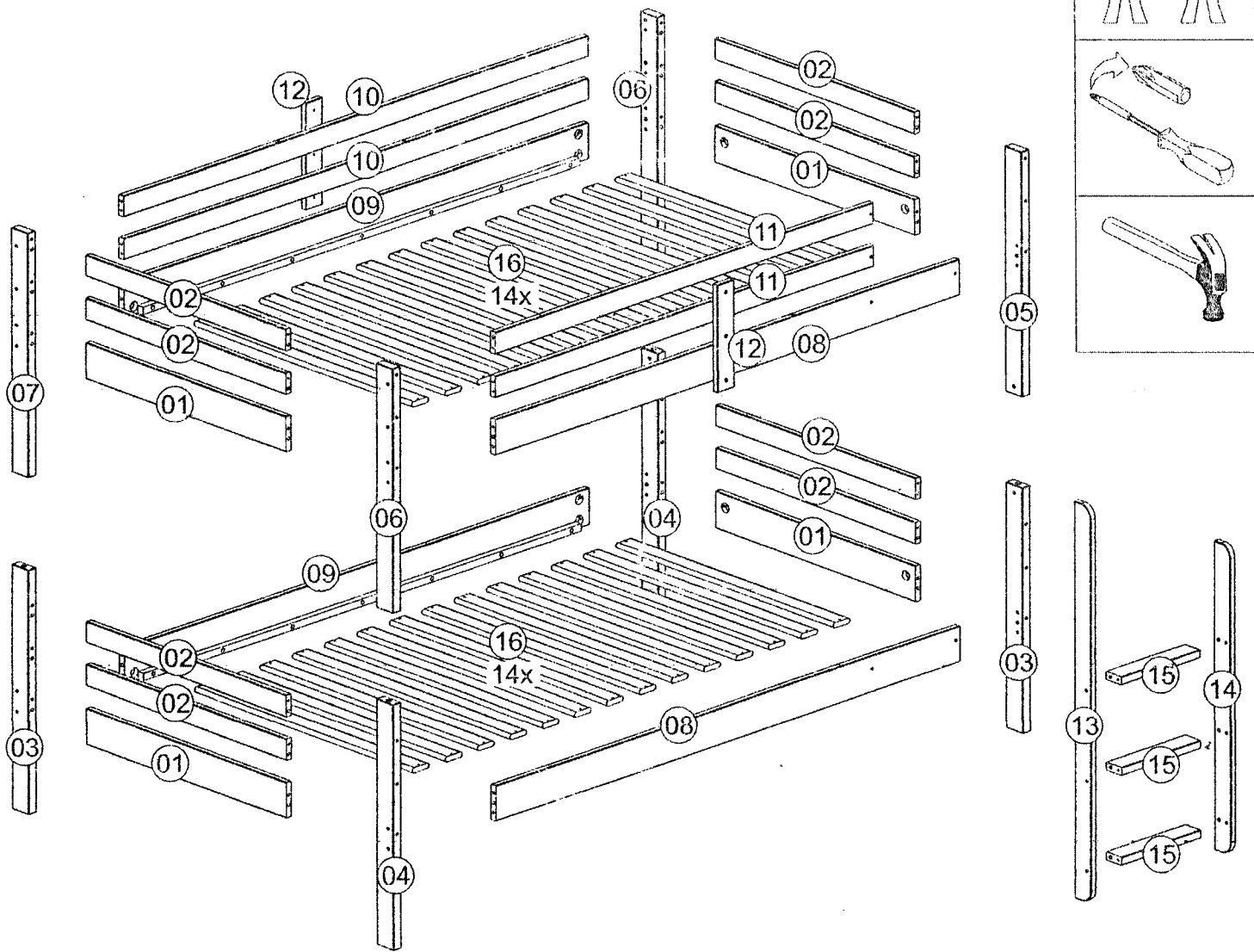
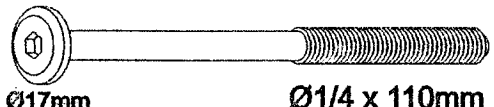
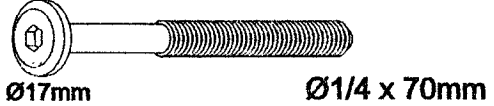
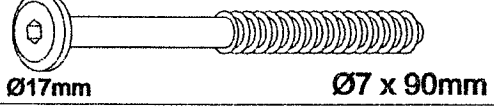
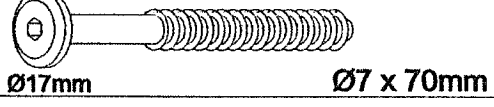
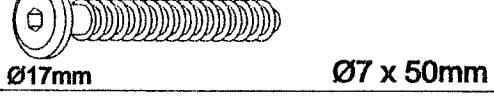
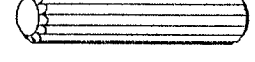



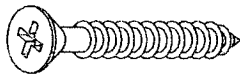
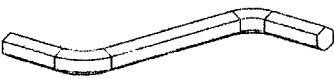
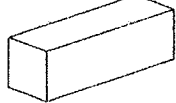

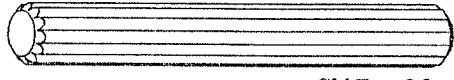
2FT6 DURHAM BUNK BEDS TWIN/TWIN



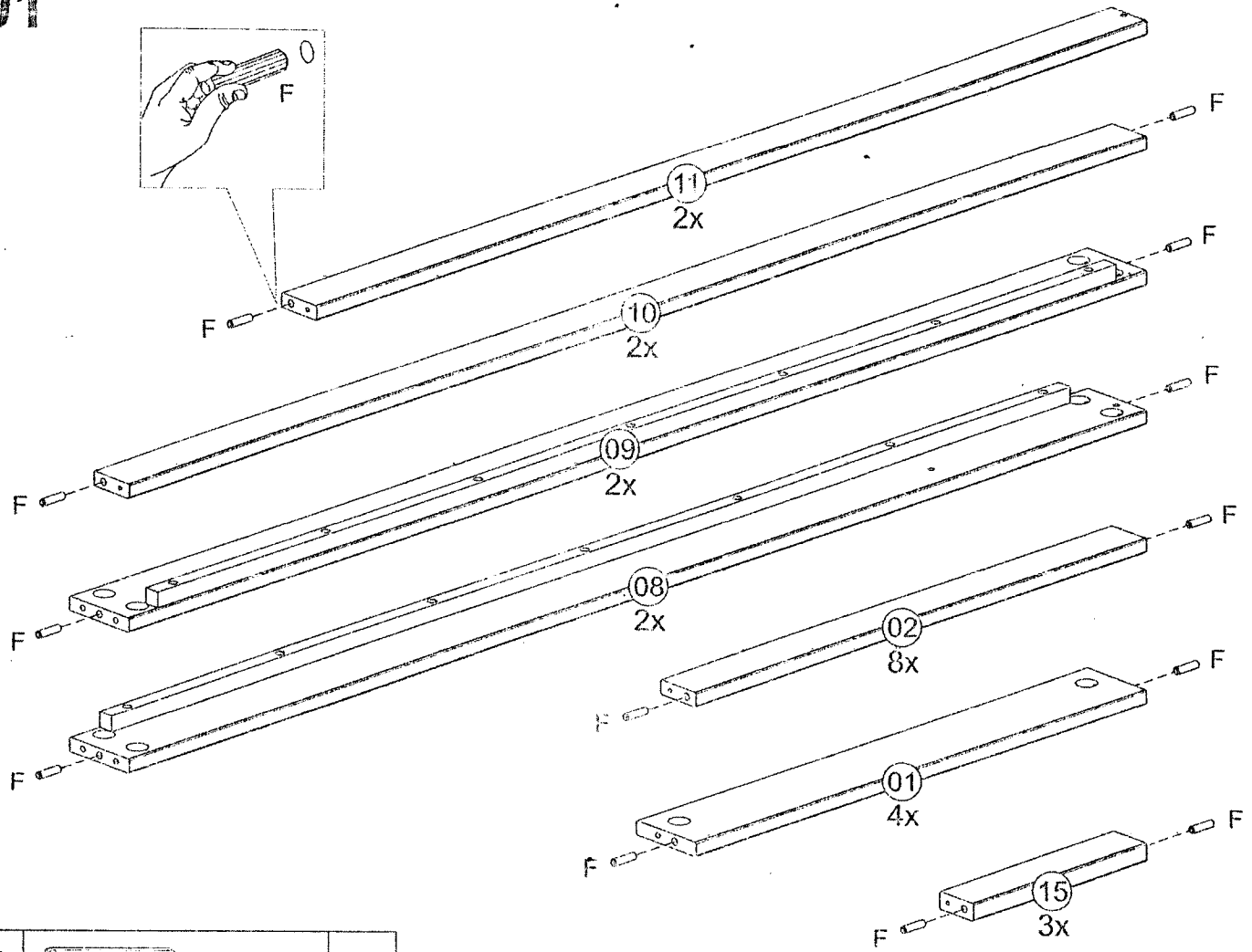
258
22

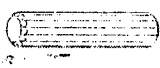


A		08
B		16
C		16
D		06
E		12
F		44

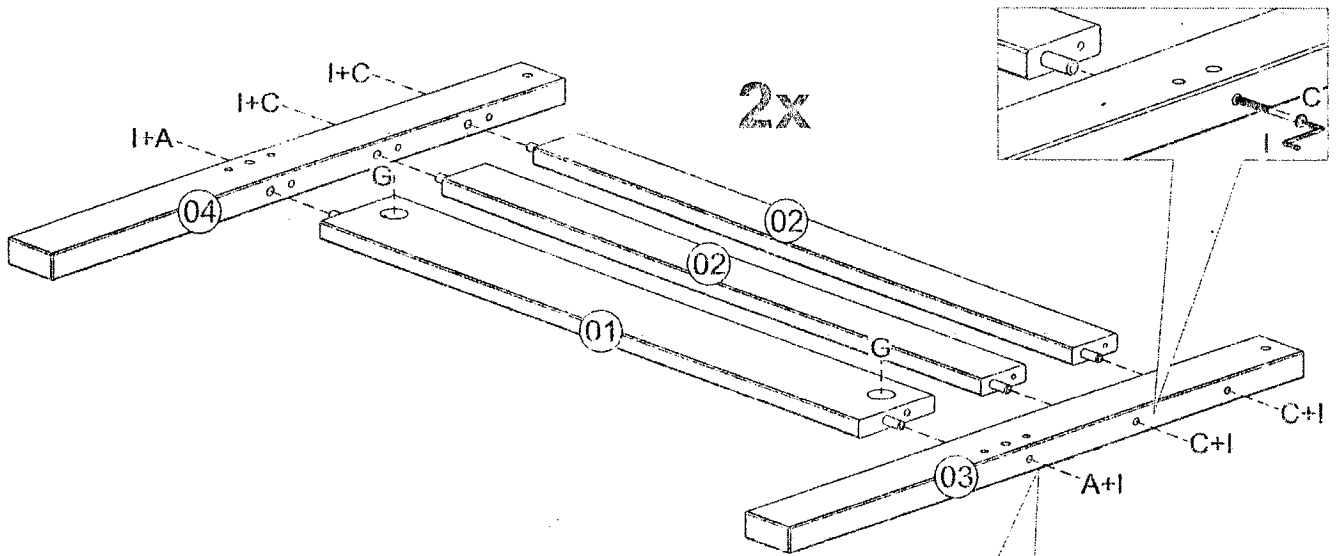
G		24 1/4
H		62
I		01
J		02 SPACER (WOODEN)
K		08
L		04





01



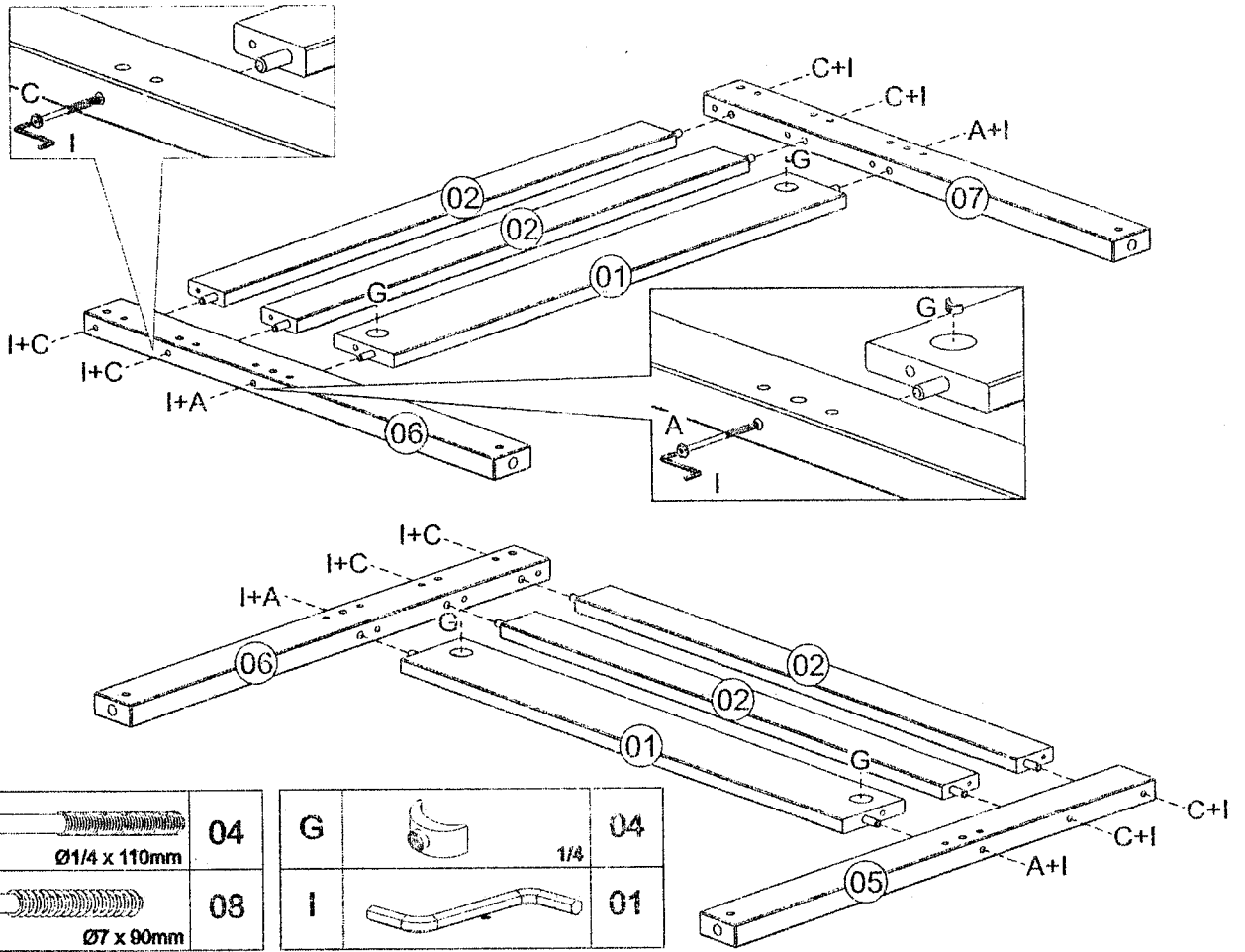
F		44
	Ø10 x 40mm	



02





A		04
	Ø17mm Ø1/4 x 110mm	
C		08
	Ø17mm Ø7 x 90mm	
G		04
	1/4	
I		01

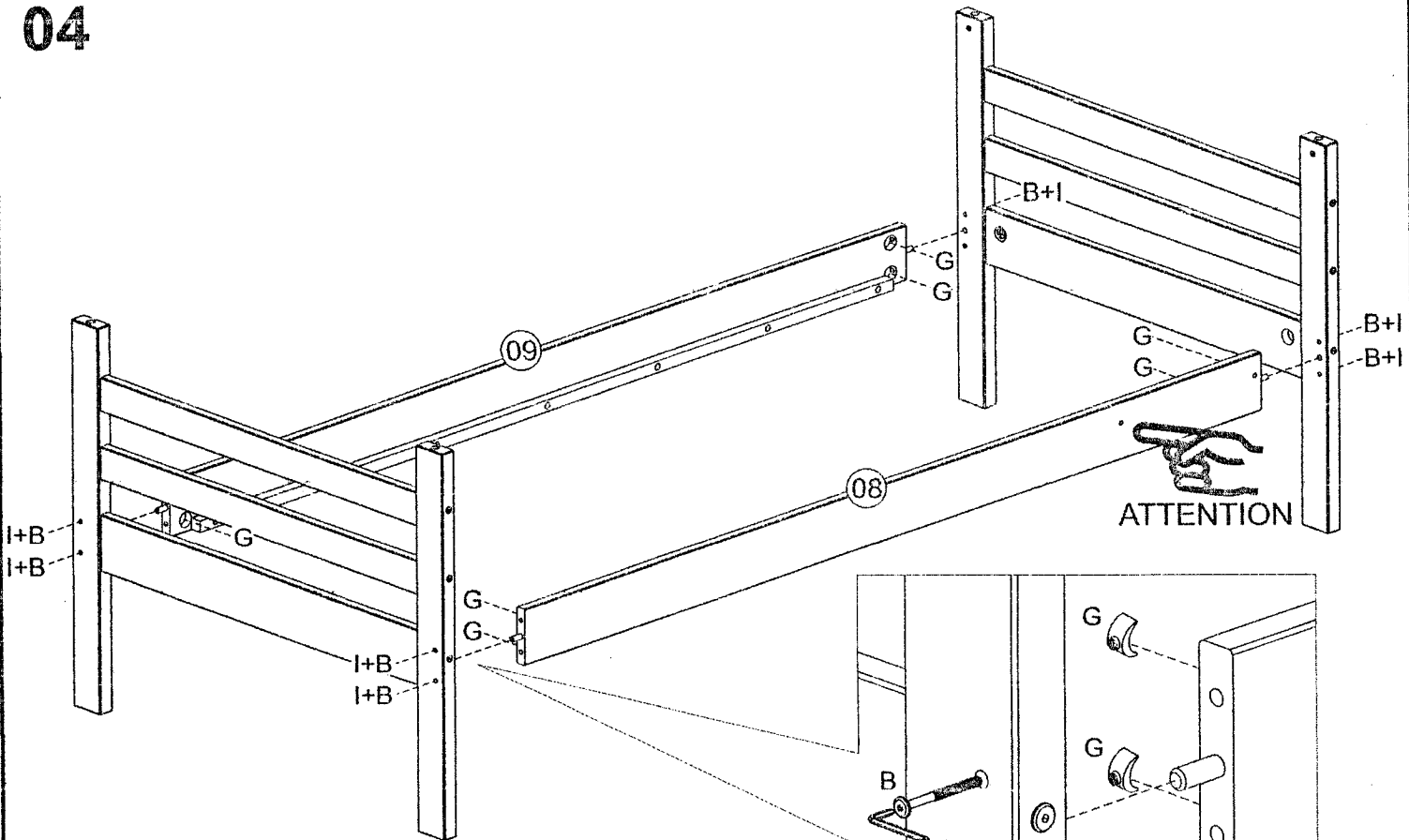
03





A		Ø17mm	Ø1/4 x 110mm	04
C		Ø17mm	Ø7 x 90mm	08

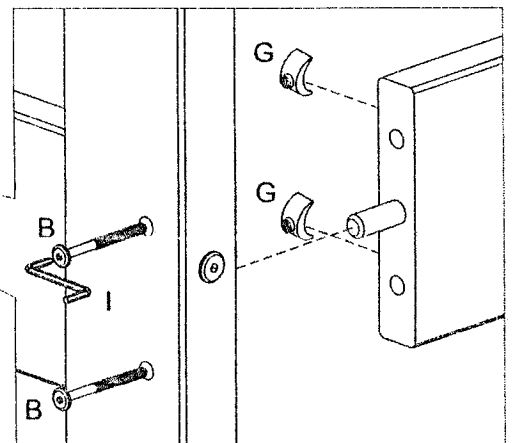
G		1/4	04
I			01

04

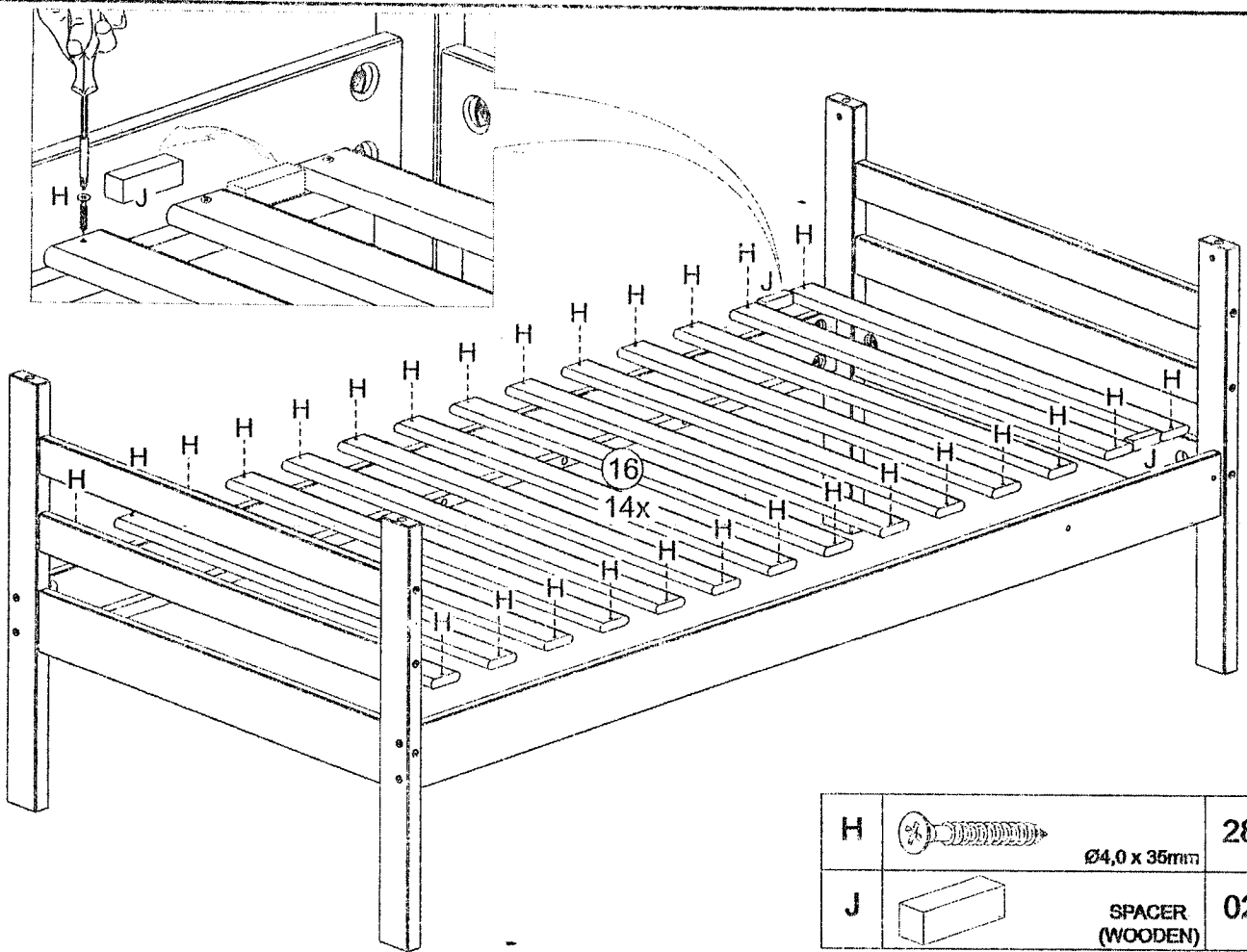




B		Ø17mm	Ø1/4 x 70mm	08
G		1/4	08	

I			01
---	---	--	----

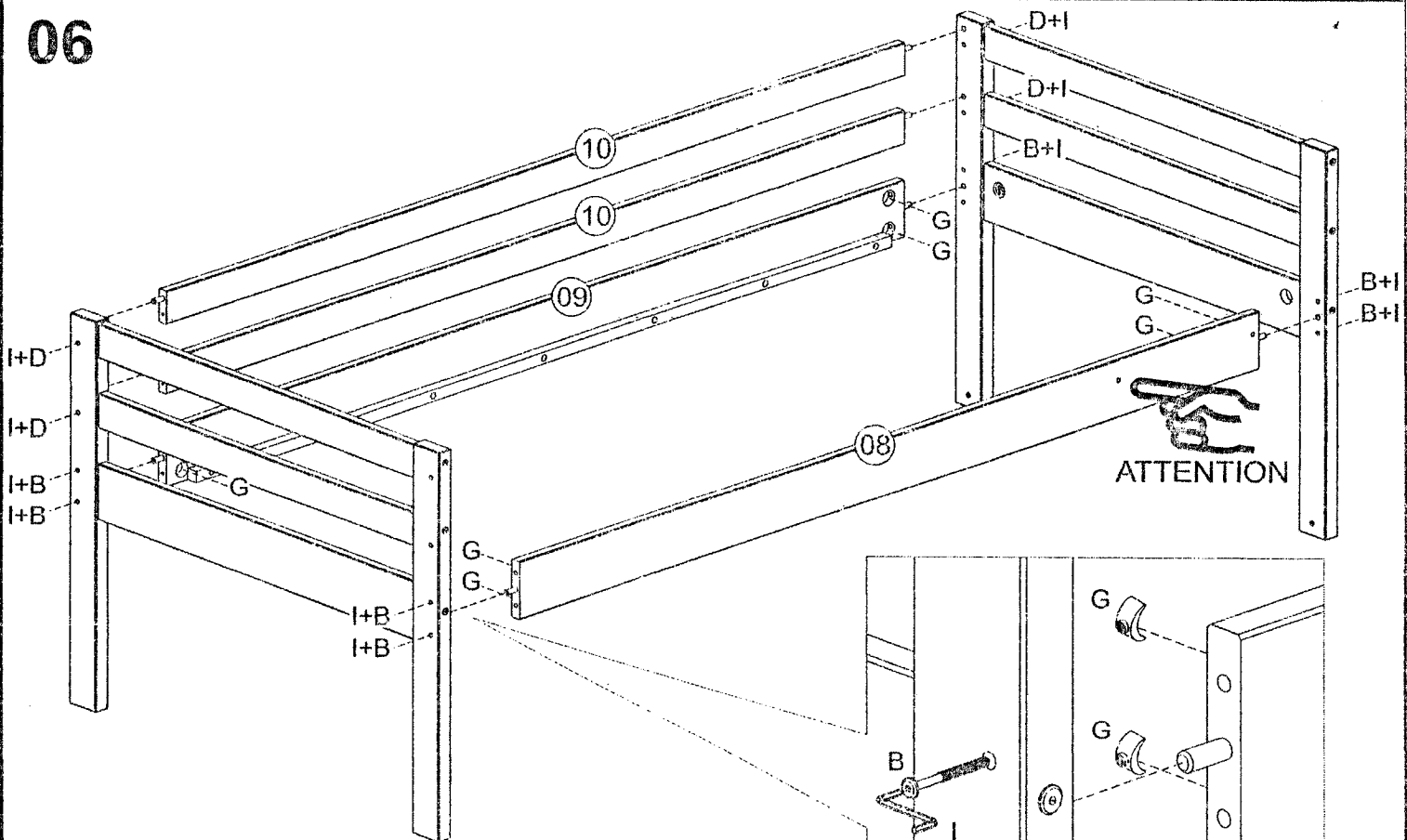






05



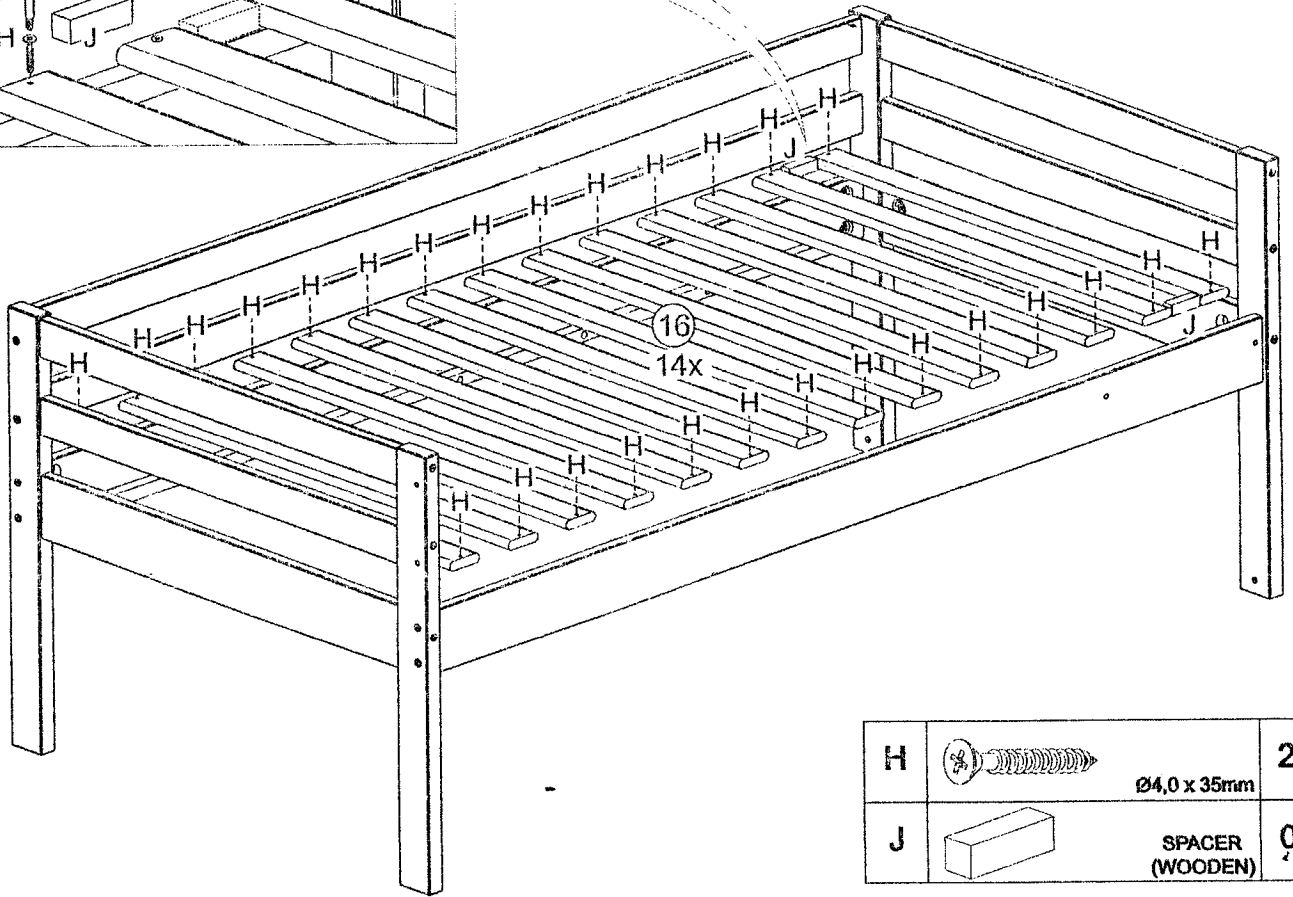
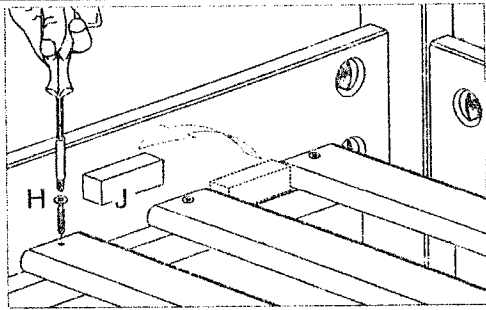
H		Ø4,0 x 35mm	28
J		SPACER (WOODEN)	02

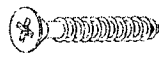

06



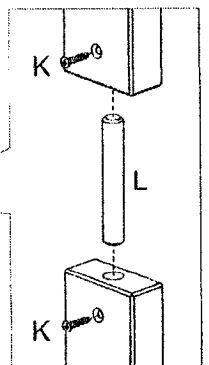
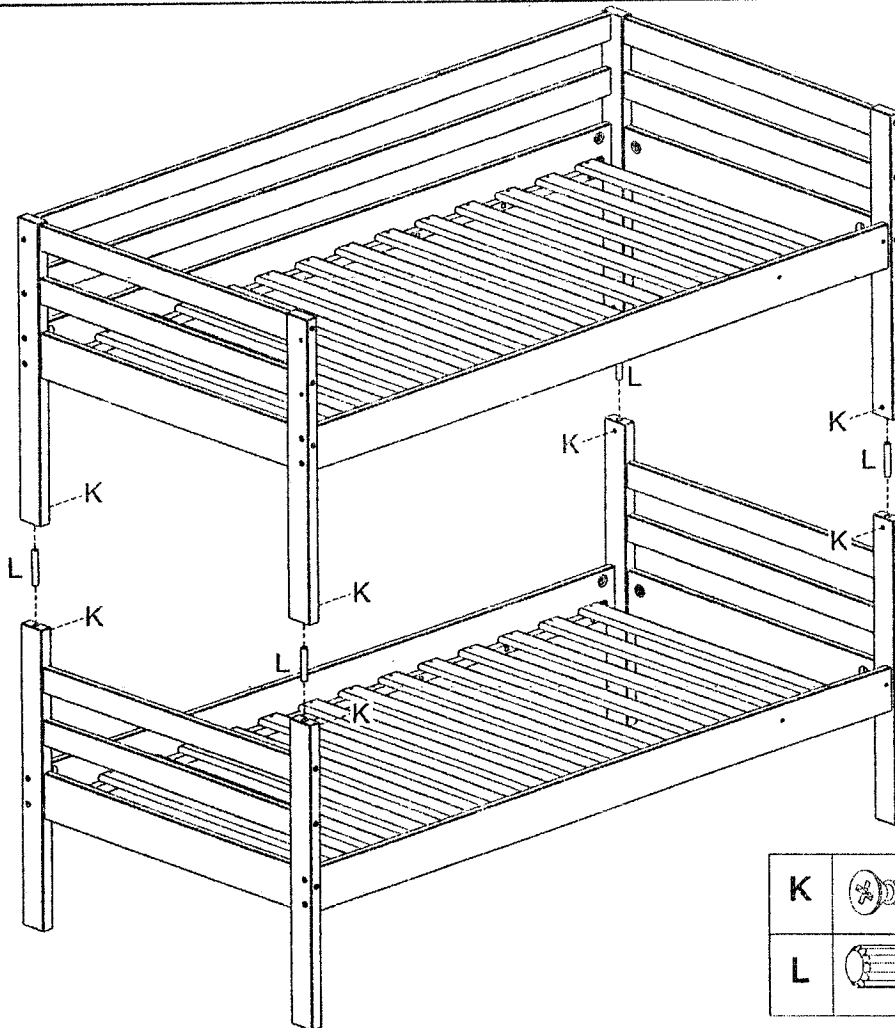
B		Ø17mm Ø1/4 x 70mm	08	G		1/4	08
D		Ø17mm Ø7 x 70mm	04	I			01



07



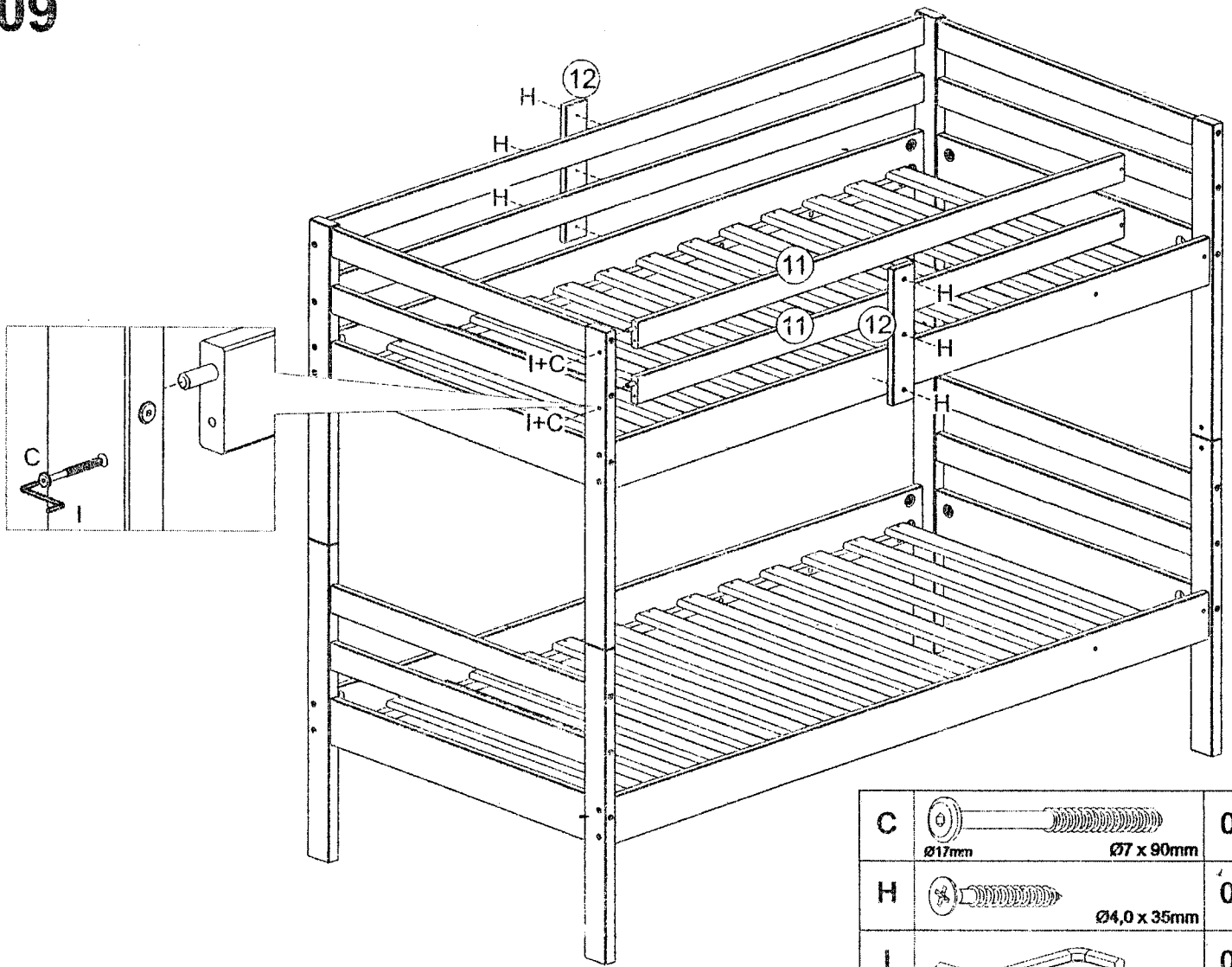
H		Ø4,0 x 35mm	28
J		SPACER (WOODEN)	02


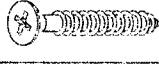
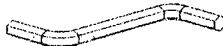
08



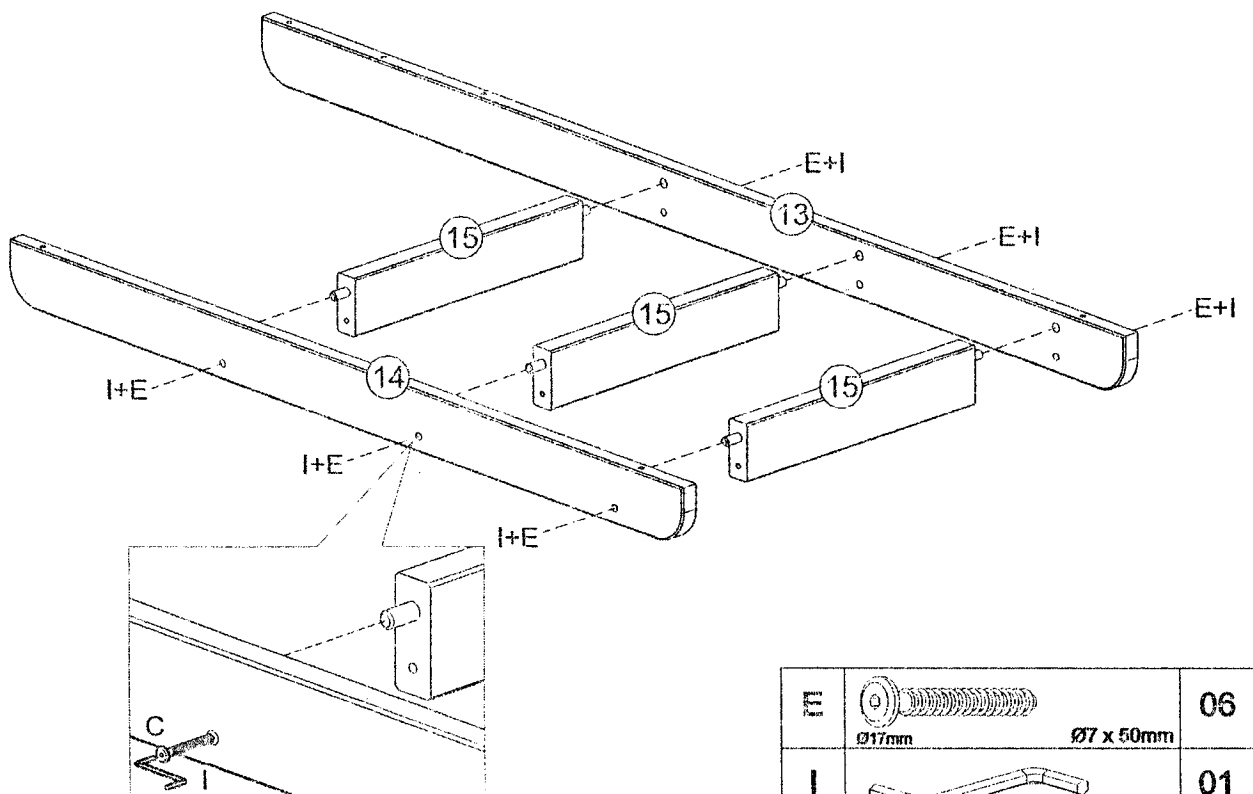
K		Ø3,5 x 25mm	08
L		Ø15 x 90mm	04



09

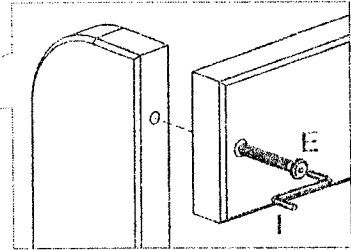
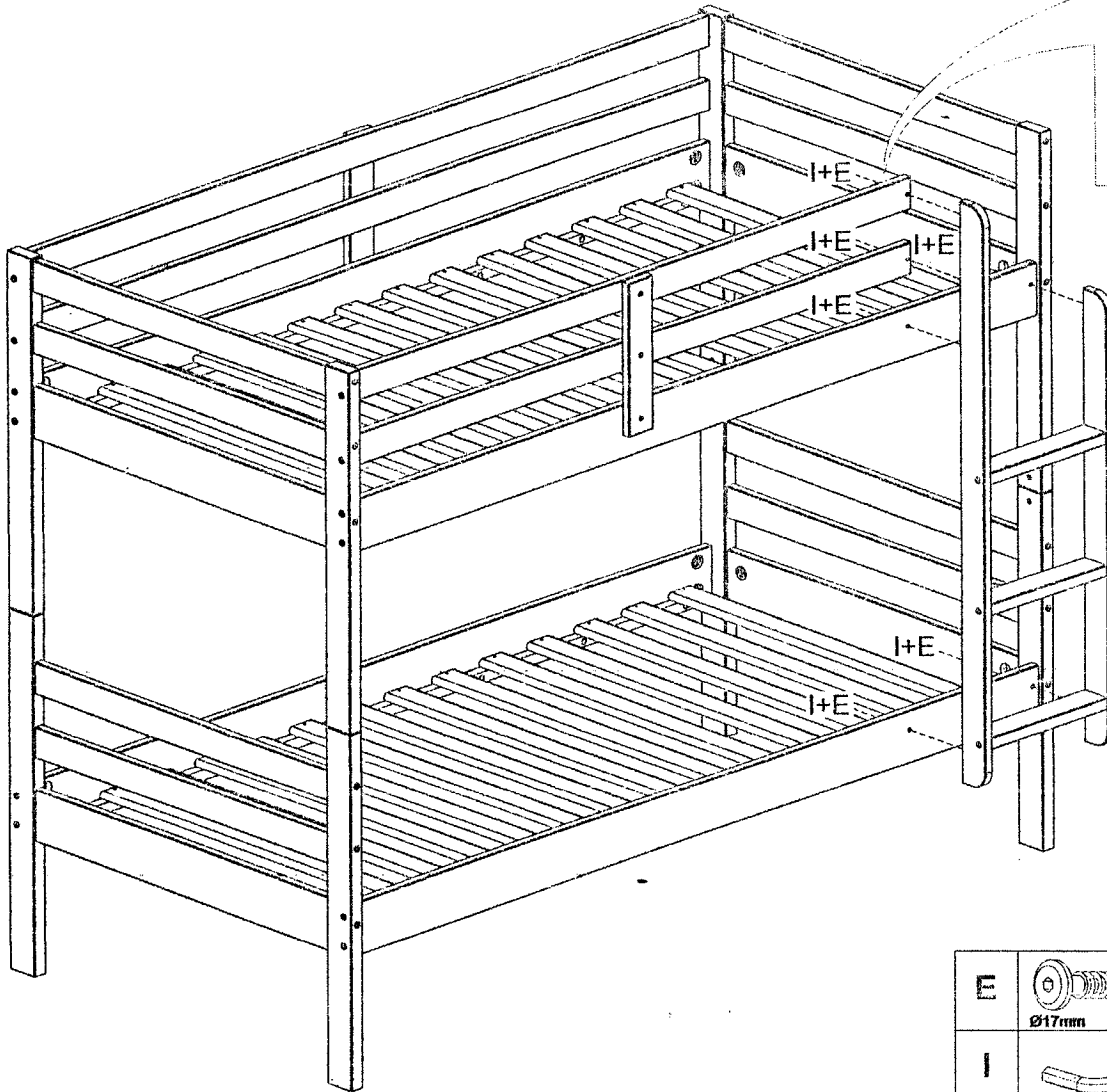


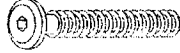
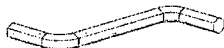
C		02
	Ø17mm Ø7 x 90mm	
H		06
	Ø4,0 x 35mm	
I		01

10



E		06
	Ø17mm Ø7 x 50mm	
I		01



E	 Ø17mm Ø7 x 50mm	06
I		01

AMANI DURHAM BUNK ASSEMBLY INSTRUCTIONS.

Before assembly identify all parts check all parts shown are present and correct.

Page 1 of 9 Bunk Bed Assembled.

Page 2 of 9 Showing all parts hardware and tools required; Hammer, Posidrive Screwdriver and Allen Key (provided)

Page 3 of 9 Fig (01) Identify parts listed 2 x (11), 2 x (10), 2 x (9), 2 x (8), 8 x (02), 4 x (01) and 3 x (15). Insert dowels F into the ends of the rails as shown.

Fig (02) **Bottom Head End Assembly x 2.** Select legs (03) and (04) and locate end rails 1 x (01) 2 x (02) into the legs as shown, ensure the legs are paired. Locate screws A x 2 through legs and into rail (01) Locate screws C x 4 through legs and into rails (02). Position half moon nuts G x 2 into the inside of the bottom rail as shown. Tighten all screws using Allen key I.

Page 4 of 9 Fig (03) **Top Head End Assembly X 1.** Select legs 1 x (06) 1 x (07) and locate end rails 1 x (01) 2 x (02) into the legs as shown, ensure the legs are paired. Locate screws A x 2 through legs and into rail (01). Locate screws C x 4 through legs and into rails (02). Position half moon nuts G x 2 into the inside of the bottom rail as shown. Tighten all screws using Allen key I.

Page 4 of 9 Fig (03) **Top Head End Assembly X 1.** Select legs 1 x (06) 1 x (05) and locate end rails 1 x (01) 2 x (02) into the legs as shown, ensure the legs are paired. Locate screws A through legs and into rail (01) Locate screws C through legs and into rails (2). Position half moon nuts G x 2 into the inside of the bottom rail as shown. Tighten all screws using Allen key I.

Page 4 of 9 Fig (04) **Lower Bunk Assembly.** Identify rails 1 x (08), (this has the holes for the ladder) and 1 x (09). Insert the half moon screws G x 8 into the holes on the inside of the rails. Position rails to the head ends as shown, the dowel must be inserted into the centre hole of the three. Locate screw B x 8 through the legs and into the half moon nuts and tighten using I.

Page 5 of 9 Fig (05) Position the slats x 14 (mattress supports) onto the supports attached to the side rails, using the spacer H to ensure that the gaps between slats are not more than 75mm or less than 60mm. Screw all slats into position using 28 x H screws.

Page 5 of 9 Fig (06) **Upper Bunk Assembly.** Position the side rail 1 x (08), (this has the holes for the ladder and must line up with the holes in the lower bunk side rail) and 1 x (09). Locate the dowels into the centre hole of the three. Locate Half Moons 8 x (G) into the 4 holes on the inside of each side rail. Locate bolts B through the legs into side rails and screw into the half moon bolts. Do not tighten. Identify 2 long safety rails (10) and position the them into the legs, locate the bolts D x 4 through the leg and into the end of the rail and tighten all screws using I but do not over tighten.

Page 6 of 9 Fig (07) Position the slats x 14 (mattress supports) onto the supports attached to the side rails, using the spacer H to ensure that the gaps between slats are not more than 75mm or less than 60mm. Screw all slats into position using 28 x H screws. Locate dowels L into the legs of the lower bunk.

Page 6 of 9 Fig (08) Lift and lower the top bed onto the lower bed positioning onto the dowels L. Secure the two beds together using screws K x 8. Now tighten all screws, but do not over tighten.

Page 7 of 9 Fig (09) Identify 2 short safety rails (11) Position the rails into the legs and locate the screws C x 2 through the leg and into the end of the rail and screw using I and tighten. Position the two vertical cleats (12) to the side/safety rails and screw in position using 6 x H screws.

Fig (10) **Ladder assembly.** Locate the 3 x rungs (15) of the ladder into uprights (13) and (14) screw together with screws E x 6 and tighten using I.

Page 8 of 9 Fig (11) Position the assembled ladder to the pre-drilled holes in the side rails 08 and secure using screws E x 8 from the inside of the rails using 6 x (4) screws.

Safety Advice

Take the time to carefully read the whole of these instructions before you commence. Keep the instructions for further reference.

Small component parts could choke a child if swallowed and recommend you keep children away from the work area.

Assemble the product as close to its intended as position.

Dispose of all packaging safely.

Warning

High beds and the upper parts of bunk beds are not suitable for children under the age of six years as falls may result in injuries.

The mattress must not come above the mattress line indicated on the bunk. Recommend height for the mattress is 6 inches 15cm.

Bunk beds and high beds can present a serious risk of strangulation if not used correctly.

Never attach or hang items to any part of the bed that are not designed to be used with the bed, for example, ropes, strings, cords, hooks, belts, bags etc.

Be careful where the bed is positioned as children can be become trapped between the bed and the wall, a pitched roof, a ceiling, adjoining furniture and the like.

Do not use the bunk bed if any structural part is broken or missing.

We strongly recommend regular checks on all assembly fastenings to ensure they are properly tightened but not over tightened.

Compliance to EN747-1:2012+A1:2015