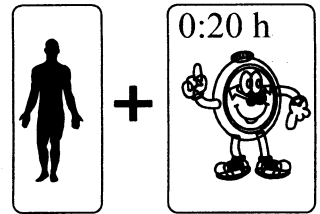
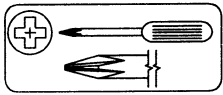


ASSEMBLY INSTRUCTIONS

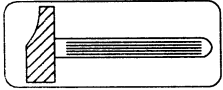
UNDERDRAWER



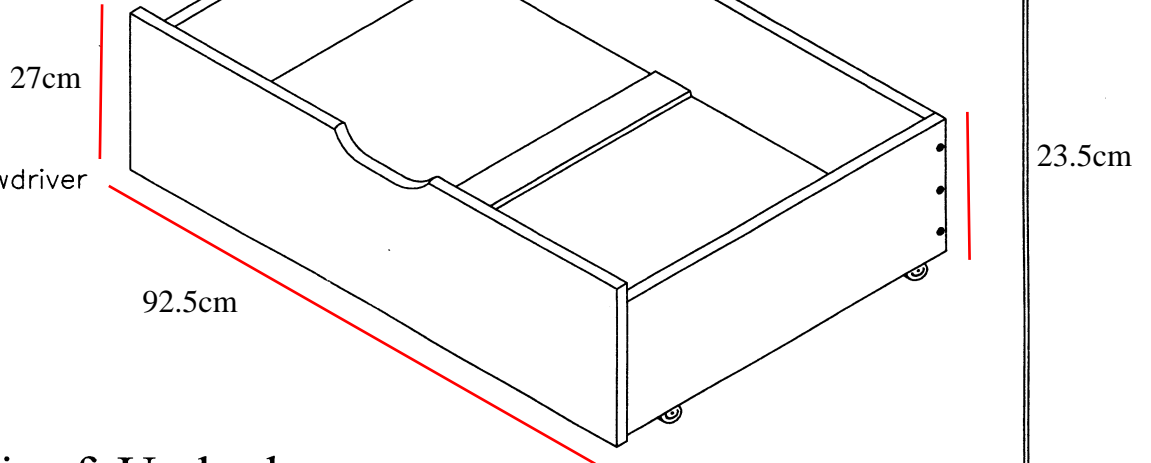
Tools Required



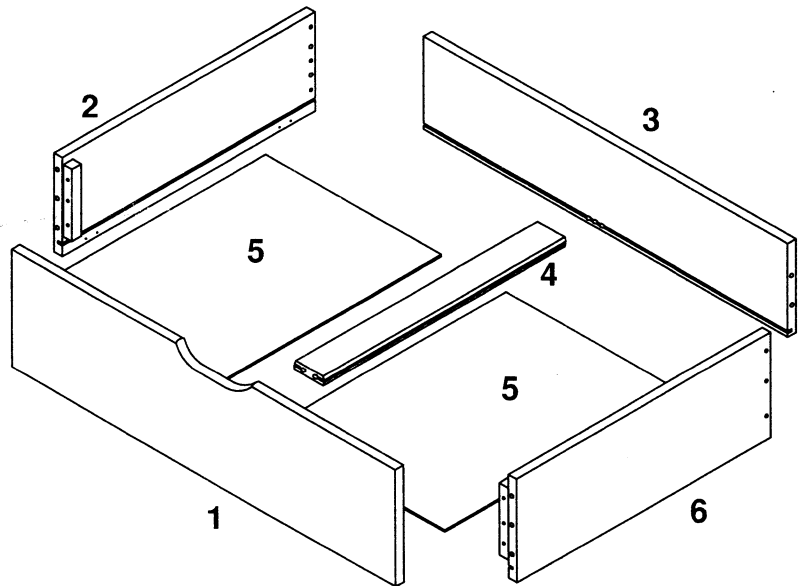
Phillips Head Screwdriver



Hammer



Part list - Pair of Underdrawers



Identify the hardware using the illustrations below.

