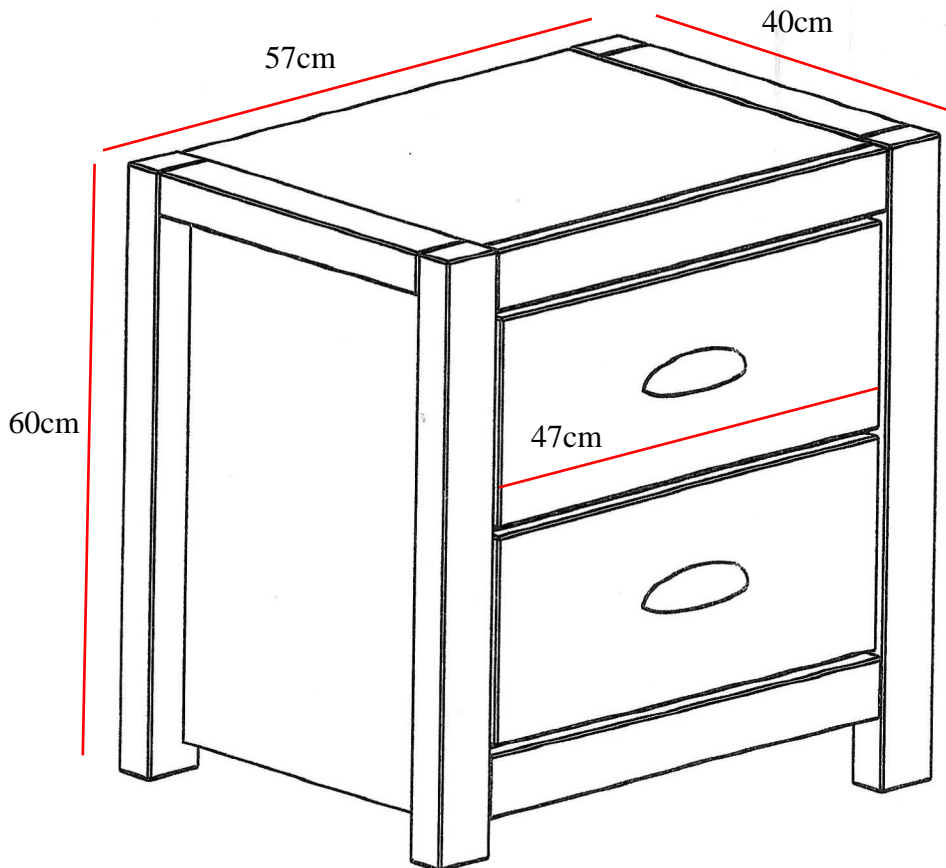


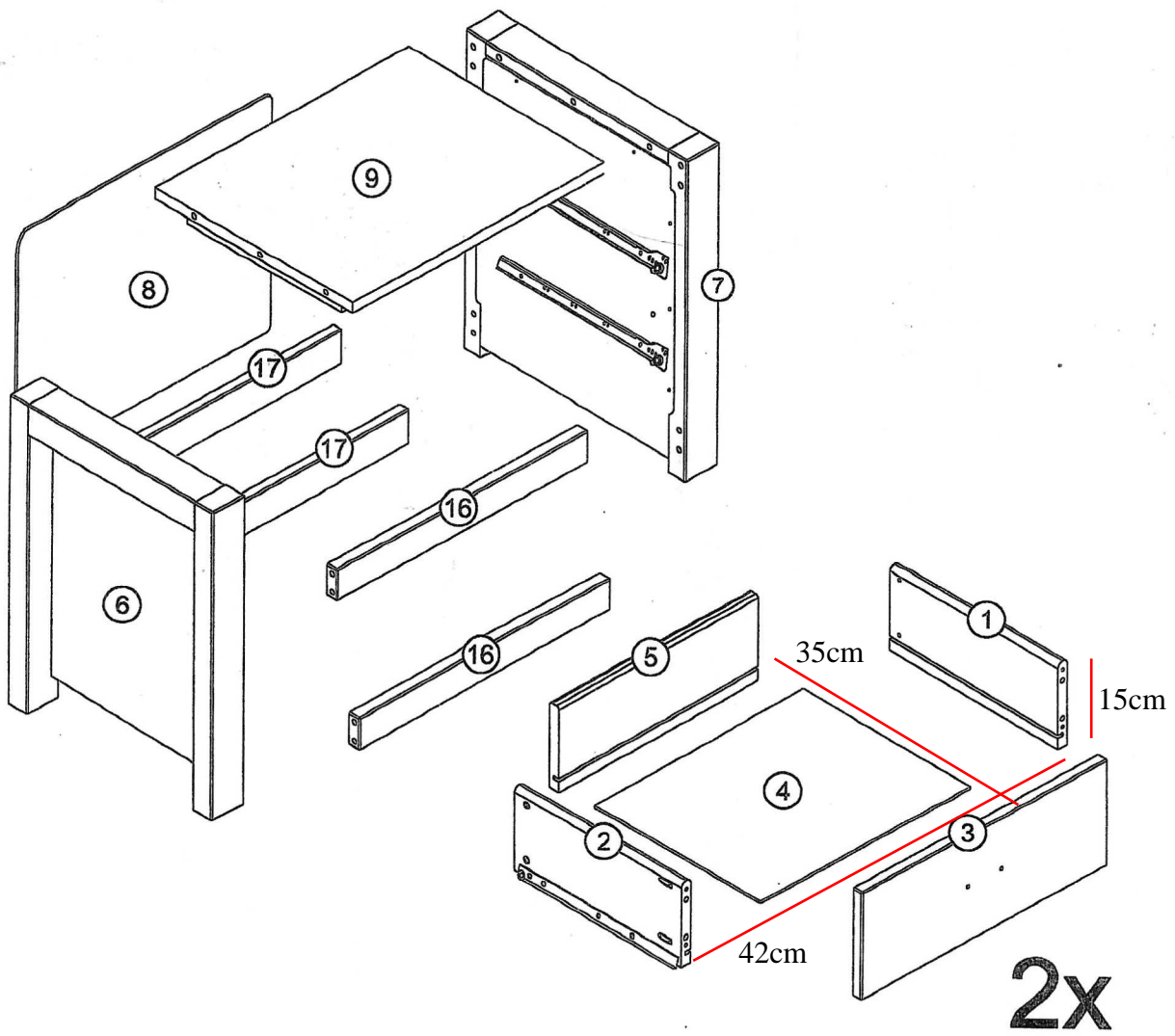
ORDER NO:  
1089

# DENVER NIGHTSTAND

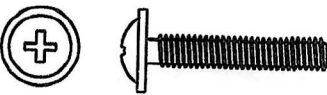
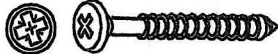
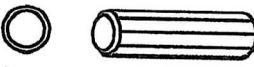
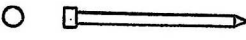



- Please assemble on a clean soft surface to avoid damage.
- Do not use power tools to assemble this product.

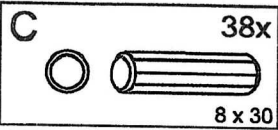
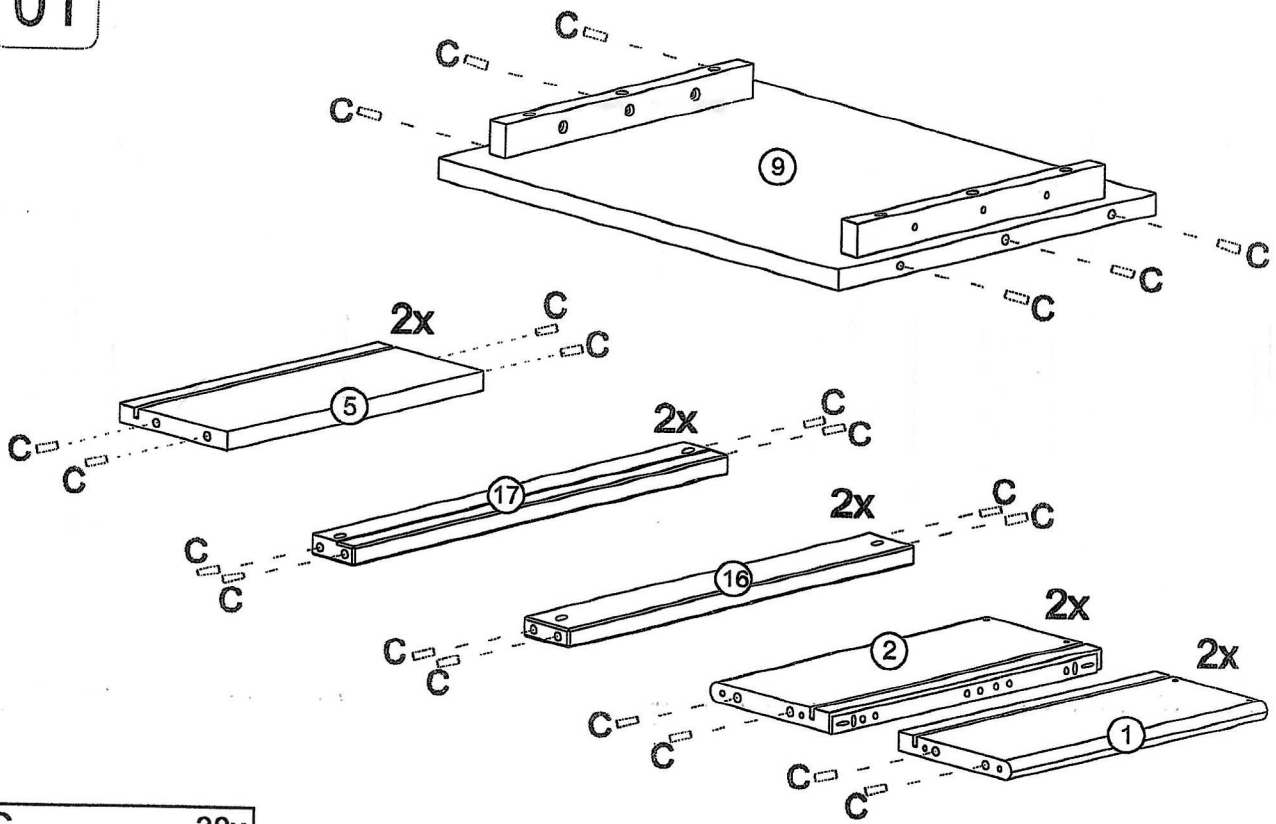
- Please check contents and read instructions before commencing assembly.
- Assemble this article following the enclosed instructions carefully.
- Please take care to avoid damaging panels during assembly.



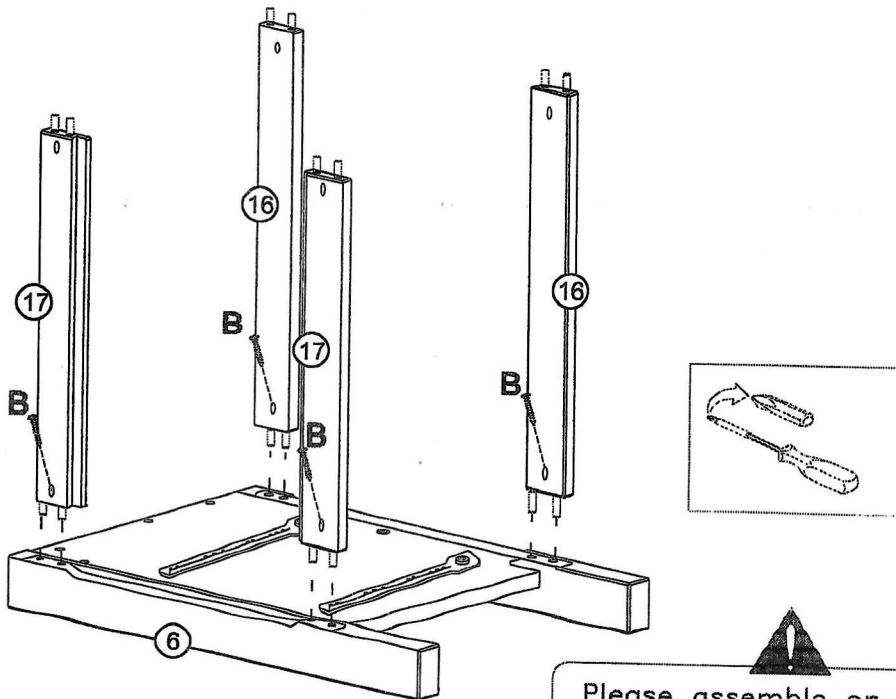
| ITEM | DESCRIPTION       | QTY |  |  |
|------|-------------------|-----|--|--|
| 01   | Drawer Right Side | 02  |  |  |
| 02   | Drawer Left Side  | 02  |  |  |
| 03   | Drawer Front      | 02  |  |  |
| 04   | Drawer Bottom     | 02  |  |  |
| 05   | Drawer Back       | 02  |  |  |
| 06   | Left Side         | 02  |  |  |
| 07   | Right Side        | 01  |  |  |
| 08   | Back Panel        | 01  |  |  |
| 09   | Top               | 01  |  |  |
| 16   | Front Frames      | 02  |  |  |
| 17   | Back Frames       | 02  |  |  |
|      |                   |     |  |  |
|      |                   |     |  |  |

|   |   |                  |
|---|---|------------------|
| A |  | M4x25<br>04      |
| B |  | 4x30<br>30       |
| C |  | 8x30<br>38       |
| D |  | NAIL 10x10<br>16 |
| E |  | 02               |

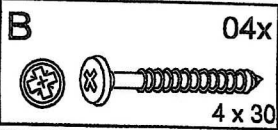
01



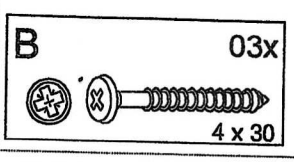
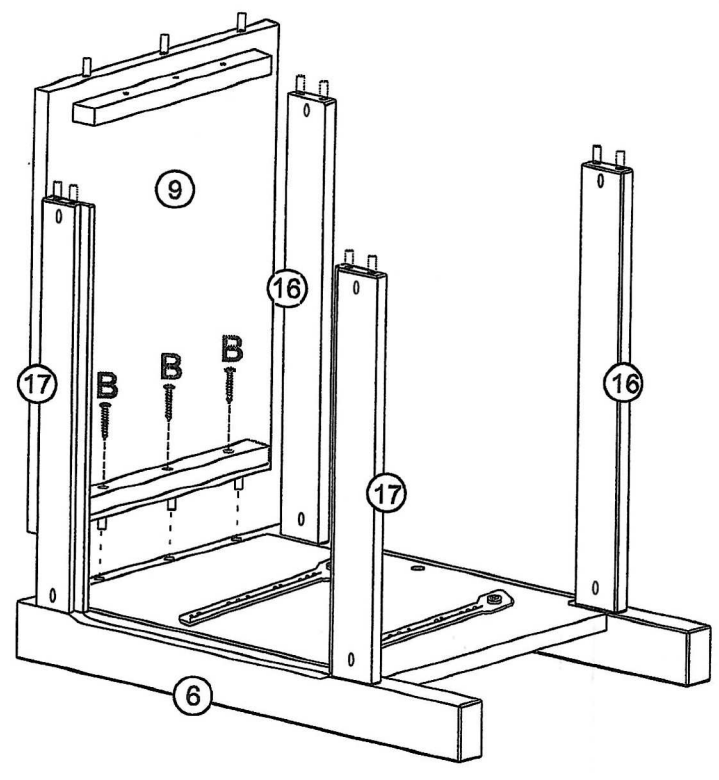
02



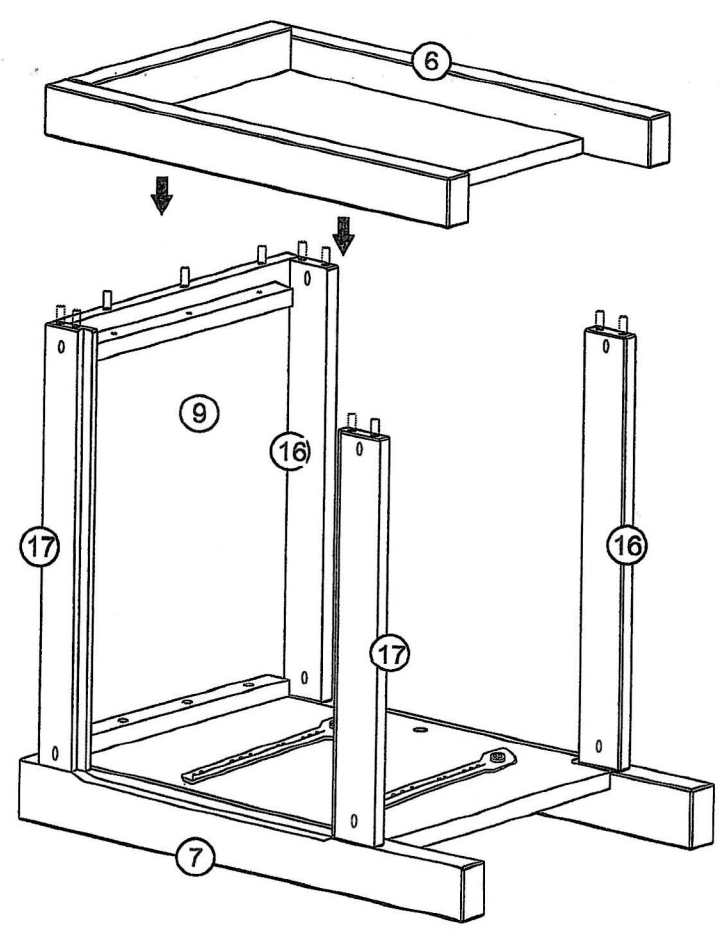
! Please assemble on a soft clean surface to avoid damaging the parts.



03



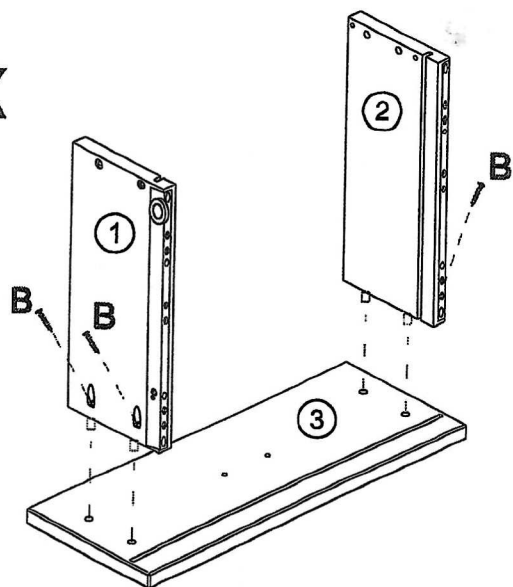
04



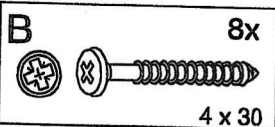
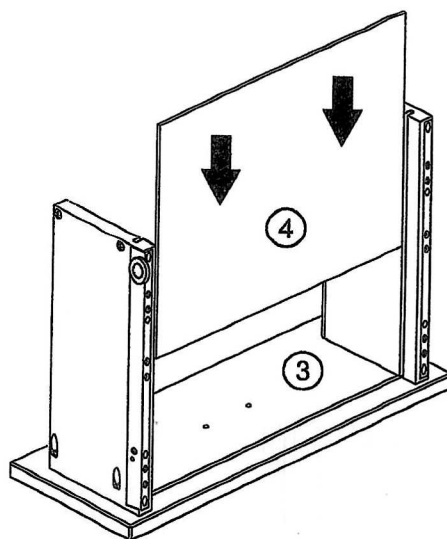


07

2x

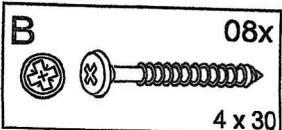
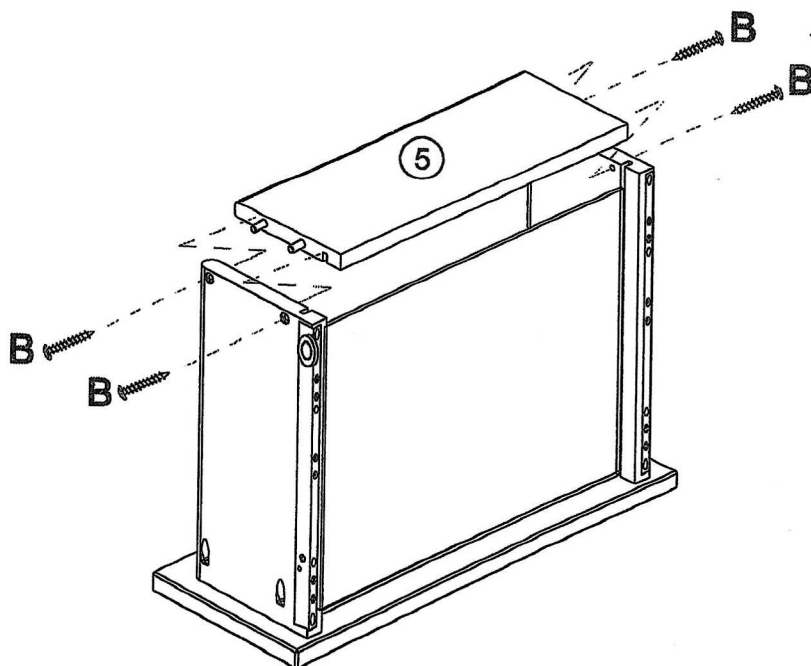


2x



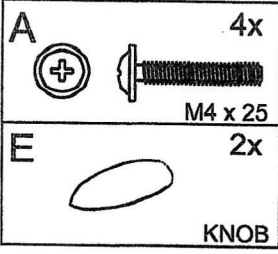
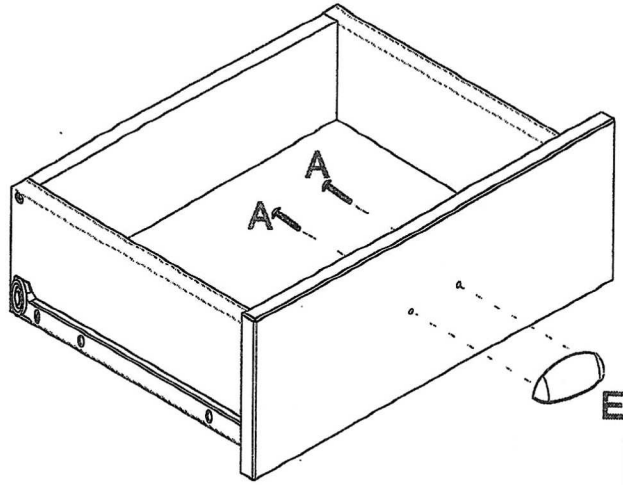
08

2x

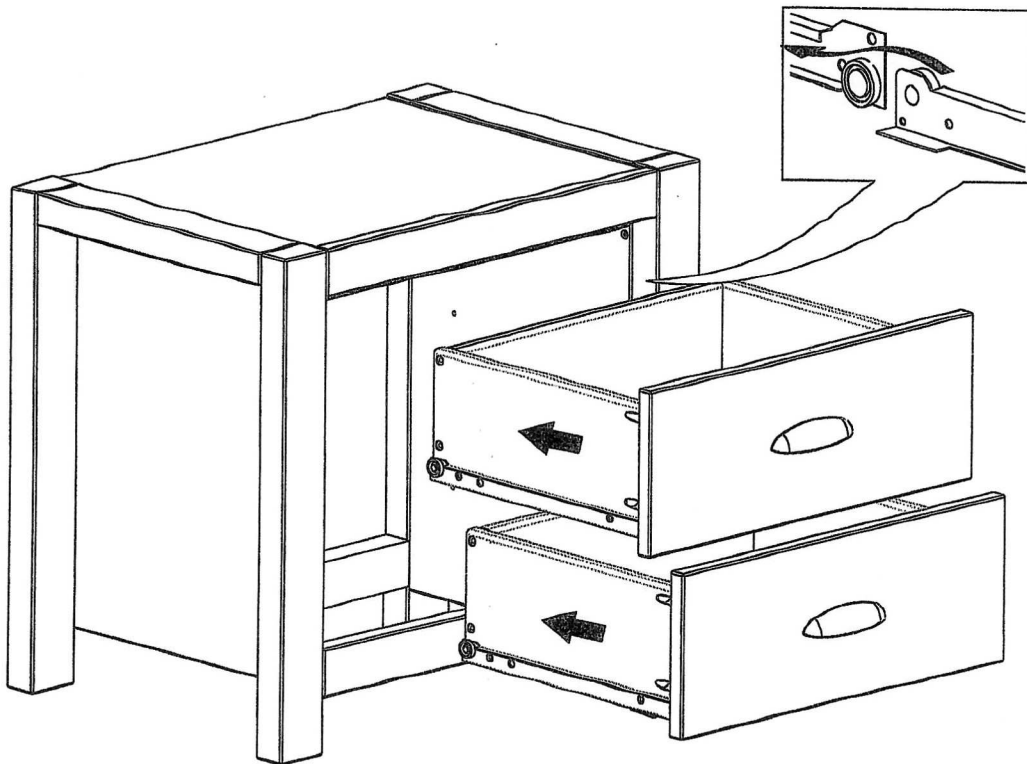


09

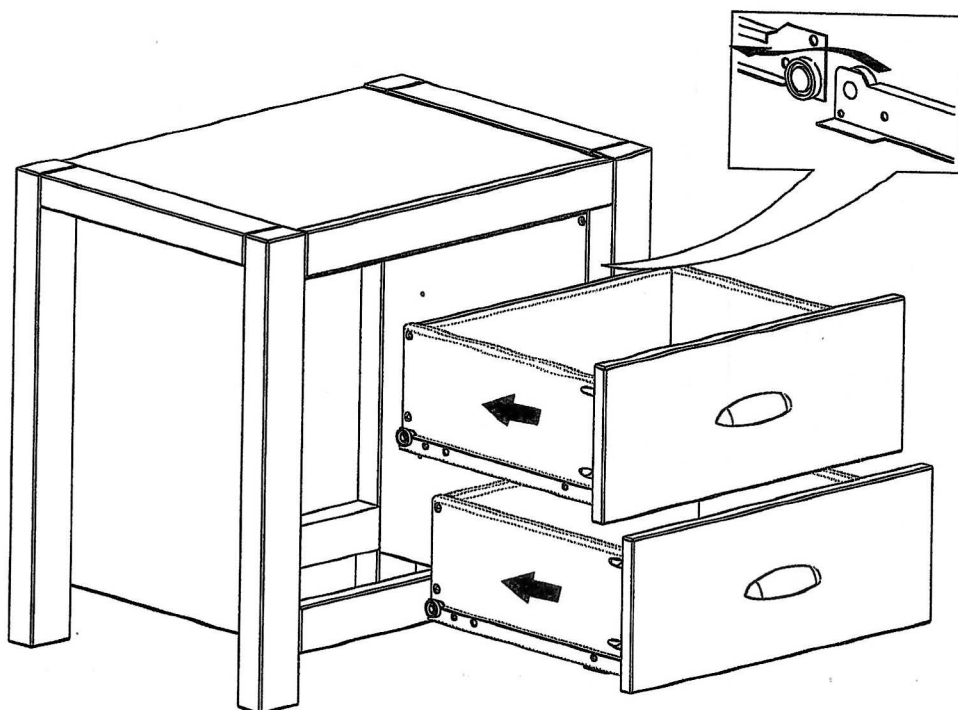
2x



10




11



Content of Vol. 1/1 - Top, Sides, Drawers, Back, Frames and Hardware.

- Compliance to: BD-93571-S1-TI: BS EN 1725:2023 Test Level 1 (Domestic), Tested By Fira International Ltd.

- **IMPORTANT NOTE:** Ventilation of the room is necessary in order to keep the humidity low and to prevent mould in and around the bed.

  
WHEN FULLY ASSEMBLED PLEASE  
ENSURE ALL SCREWS ARE TIGHTENED.