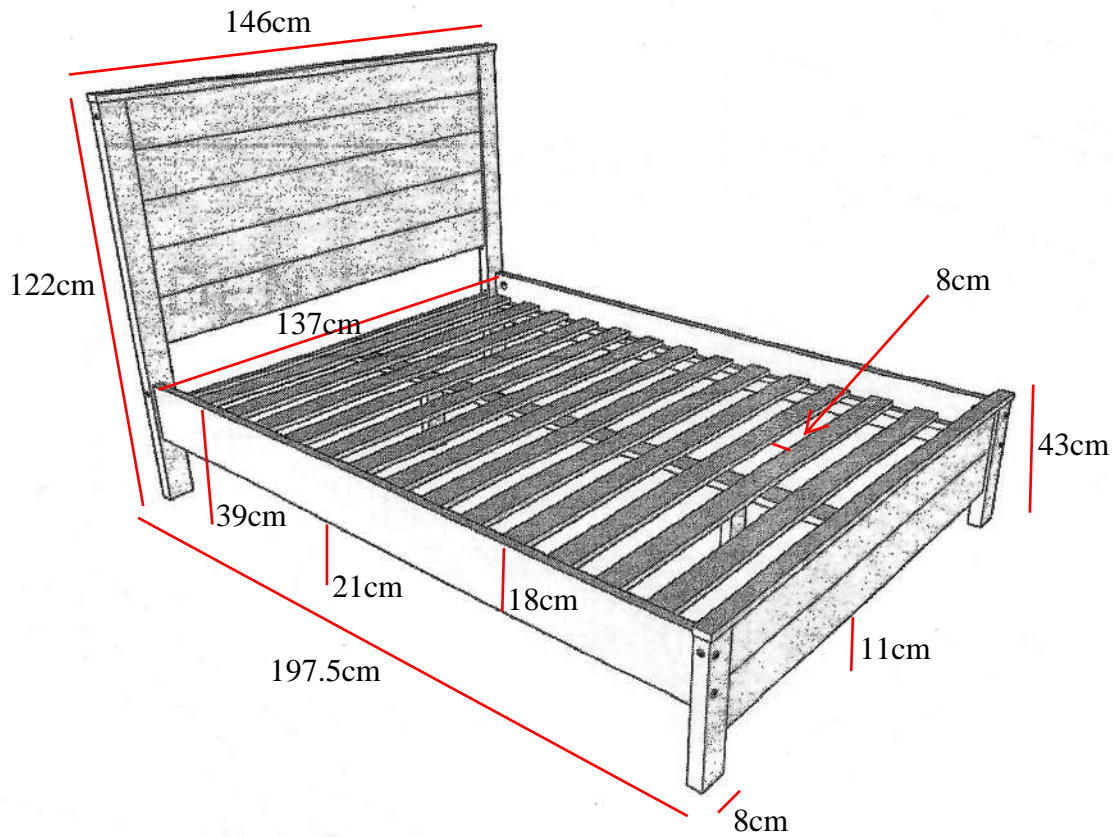
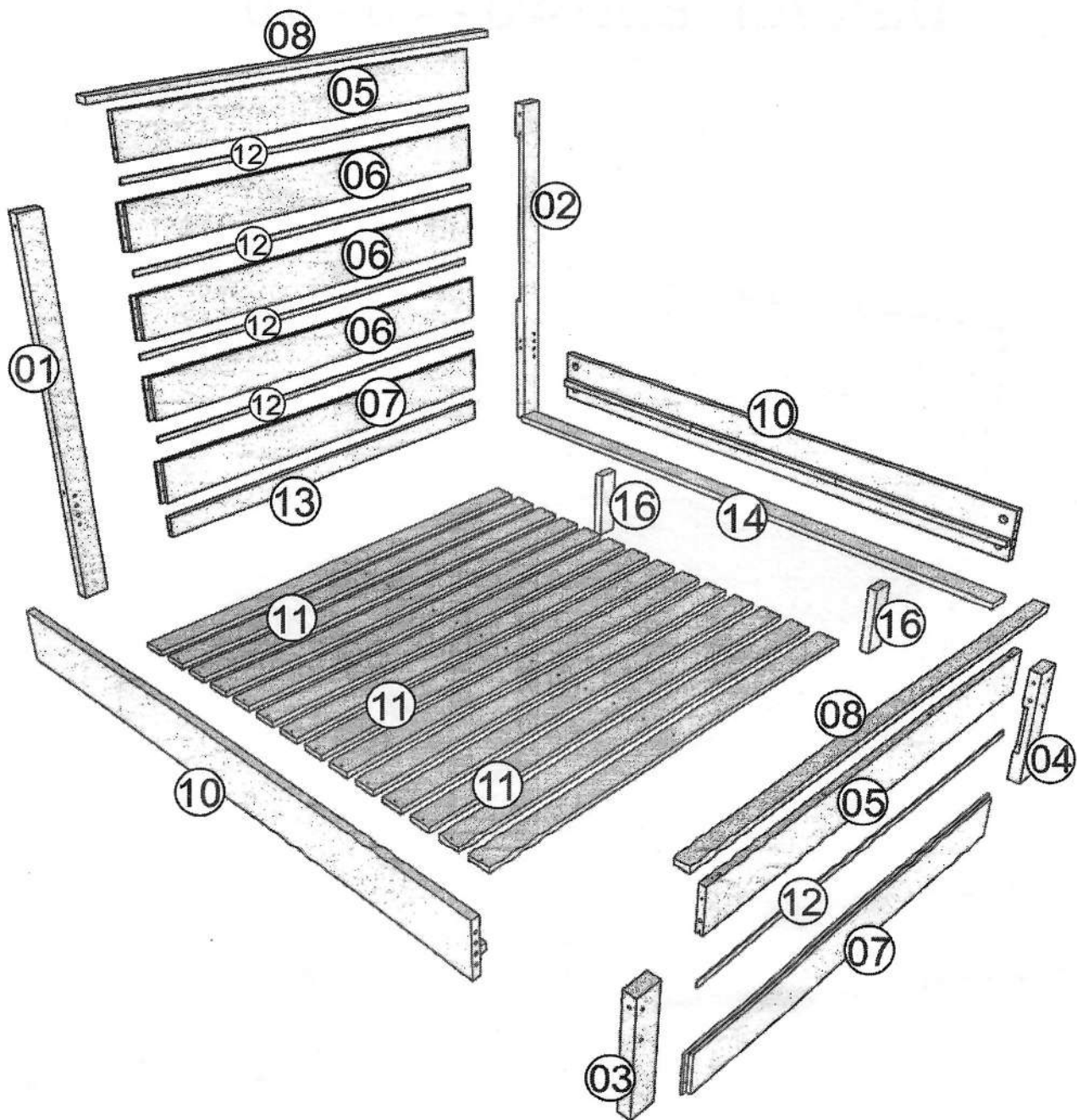




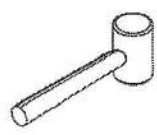
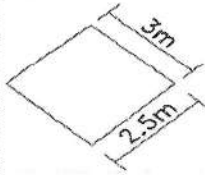
DENVER BED ~~4'0~~ - ~~4'6~~ - ~~5'0~~

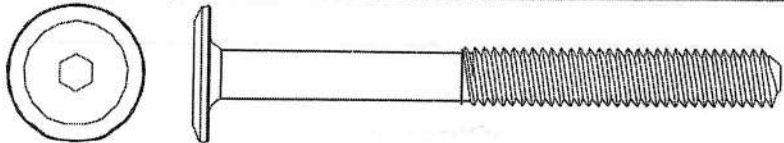
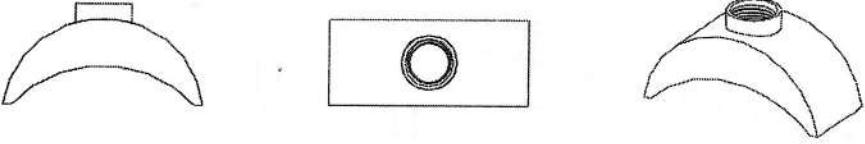
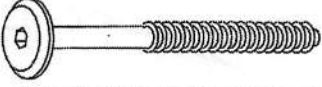


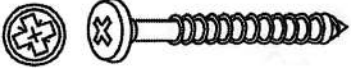


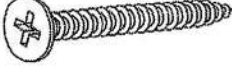





- Please assemble on a clean soft surface to avoid damage.
- Do not use power tools to assemble this product.

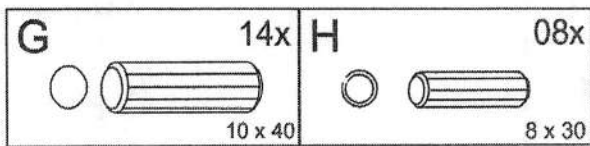
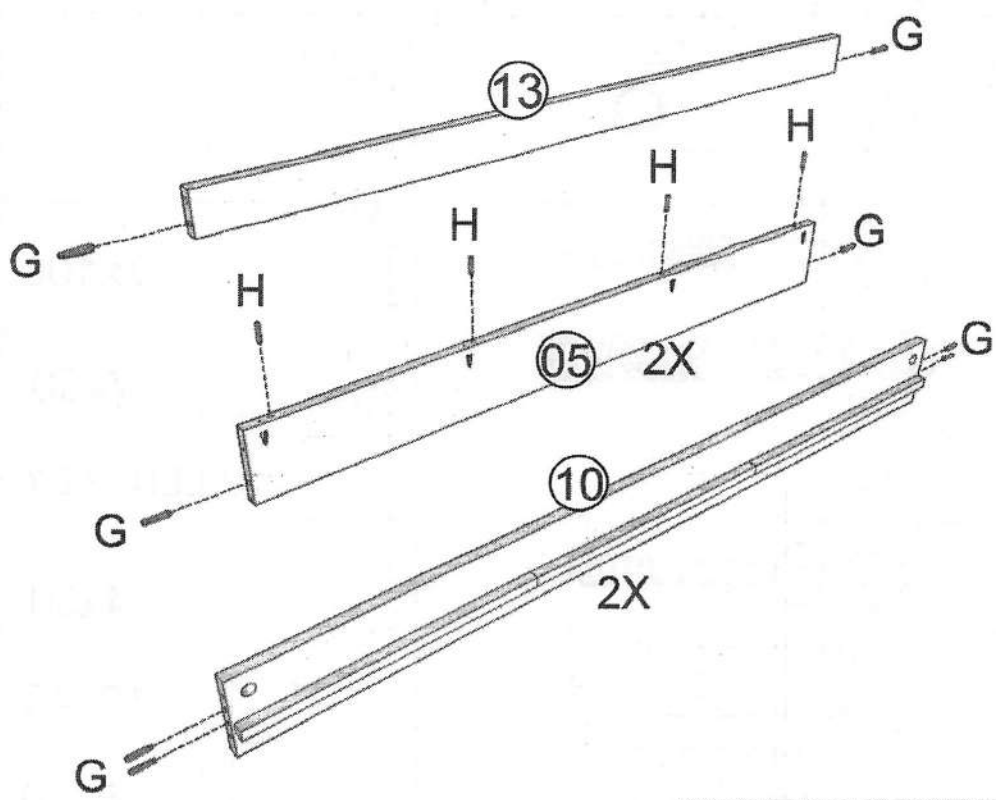
- Please check contents and read instructions before commencing assembly.
- Assemble this article following the enclosed instructions carefully.
- Please take care to avoid damaging panels during assembly.



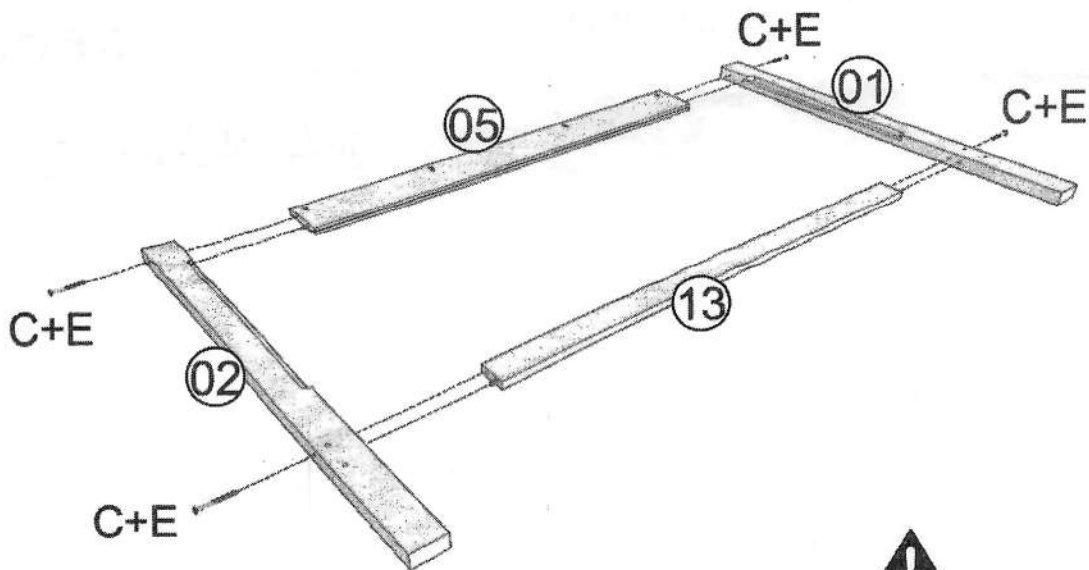
| ITEM | DESCRIPTION | QTY | | |
|------|----------------------|-----|---|---|
| 01 | Headboard Left Foot | 01 |  |  |
| 02 | Headboard Right Foot | 01 | | |
| 03 | Footboard Left Foot | 01 | | |
| 04 | Footboard Right Foot | 01 | | |
| 05 | Upper Frame | 02 |  |  |
| 06 | Middle Frame | 03 | | |
| 07 | Lower Frame | 02 | | |
| 08 | Frame | 02 | | |
| 10 | Crossbeam | 02 | | |
| 11 | Slats | 14 | | |
| 12 | Junction | 05 | | |
| 14 | Center Crossbeam | 01 | | |
| 16 | Center Foot | 02 | | |


| | | |
|---|---|---------------------|
| A |  | 1/4"x80 08 |
| B |  | 08 |
| C |  | 7x100 06 |
| D |  | 7x50 02 |
| E |  | ALLEN KEY 01 |
| F |  | 4x30 40 |
| G |  | 10x40 14 |
| H |  | 8x30 08 |
| I |  | 4x25 20 |
| J |  | (WOODEN) 02 |
| K |  | 3,5x16 16 |
| L |  | METAL SUPPORT 02 |

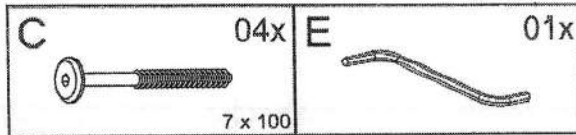
01



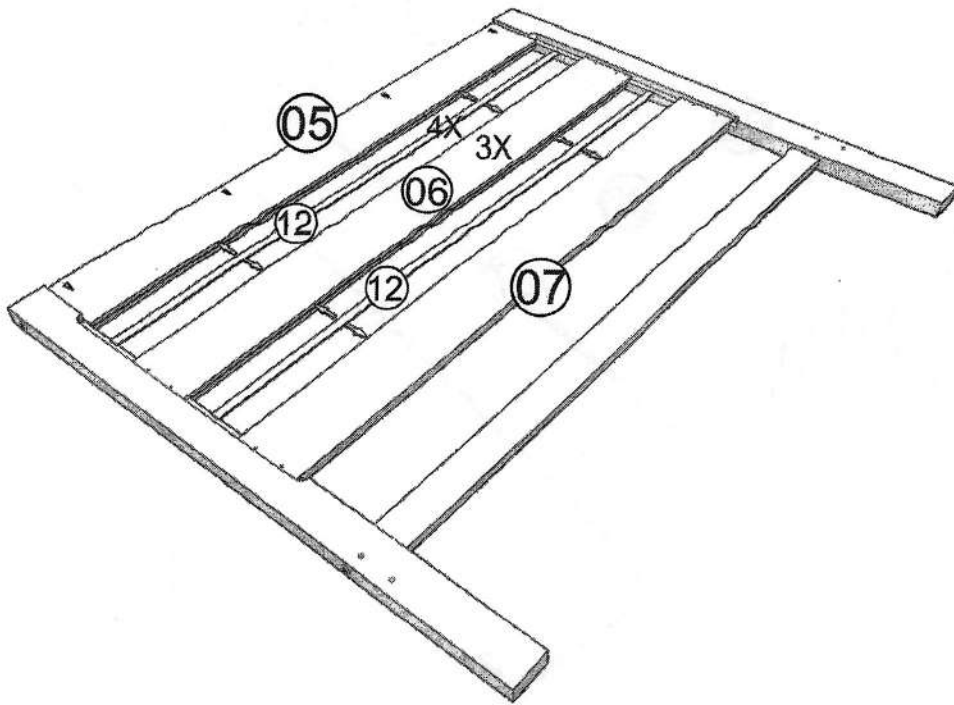
02



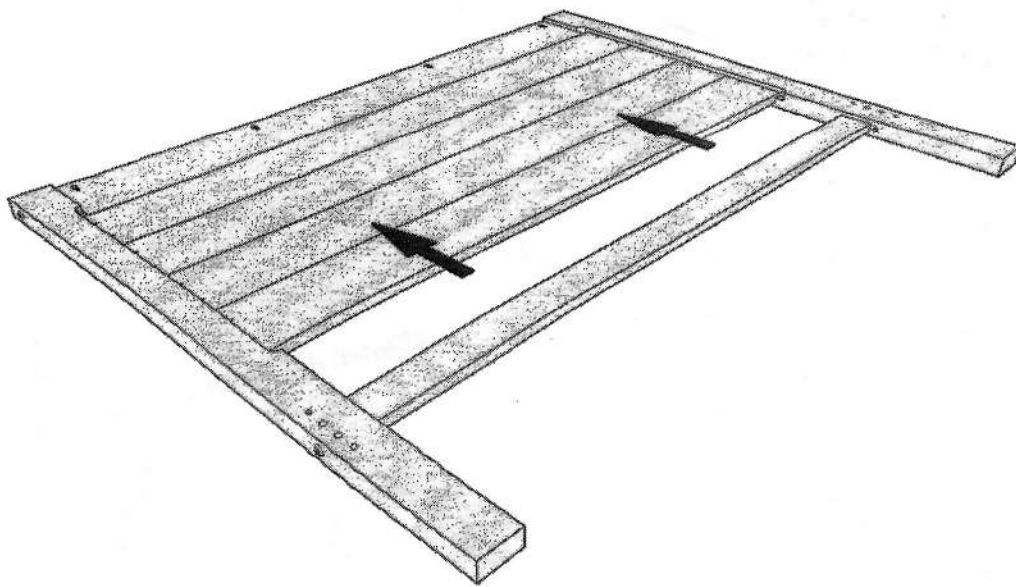
 Please assemble on a soft clean surface to avoid damaging the parts.



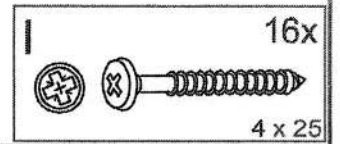
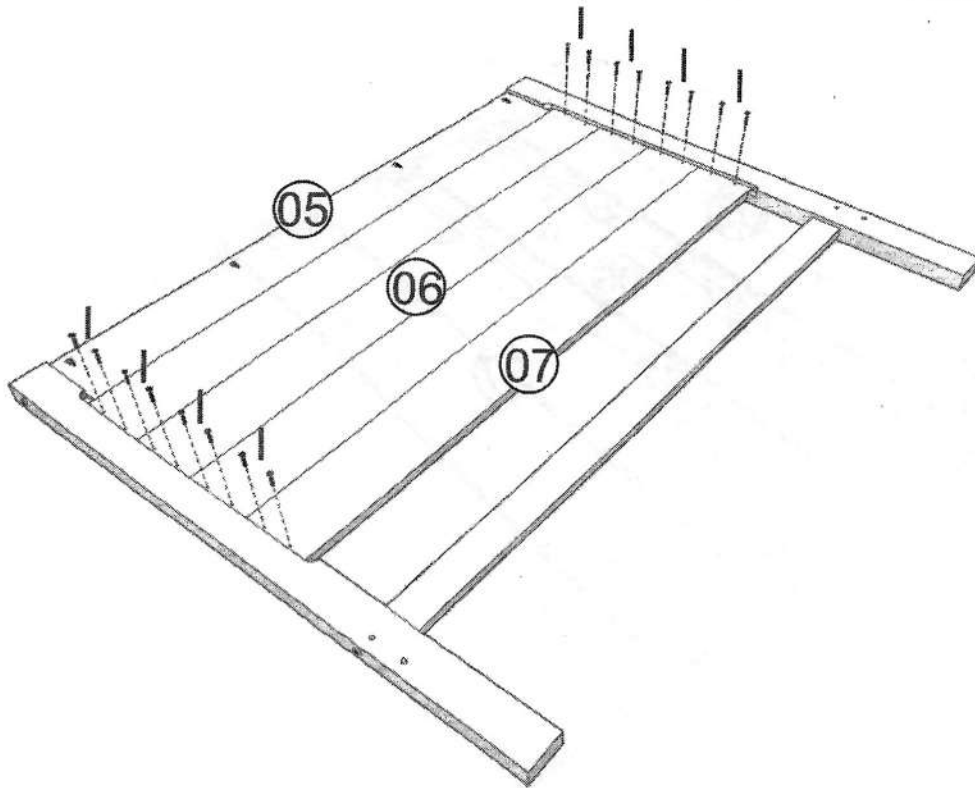
03



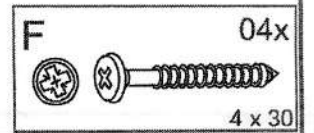
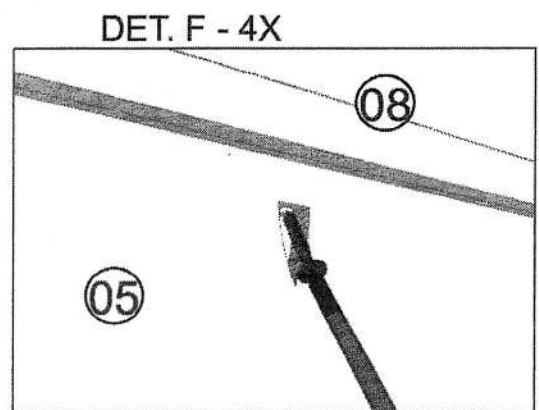
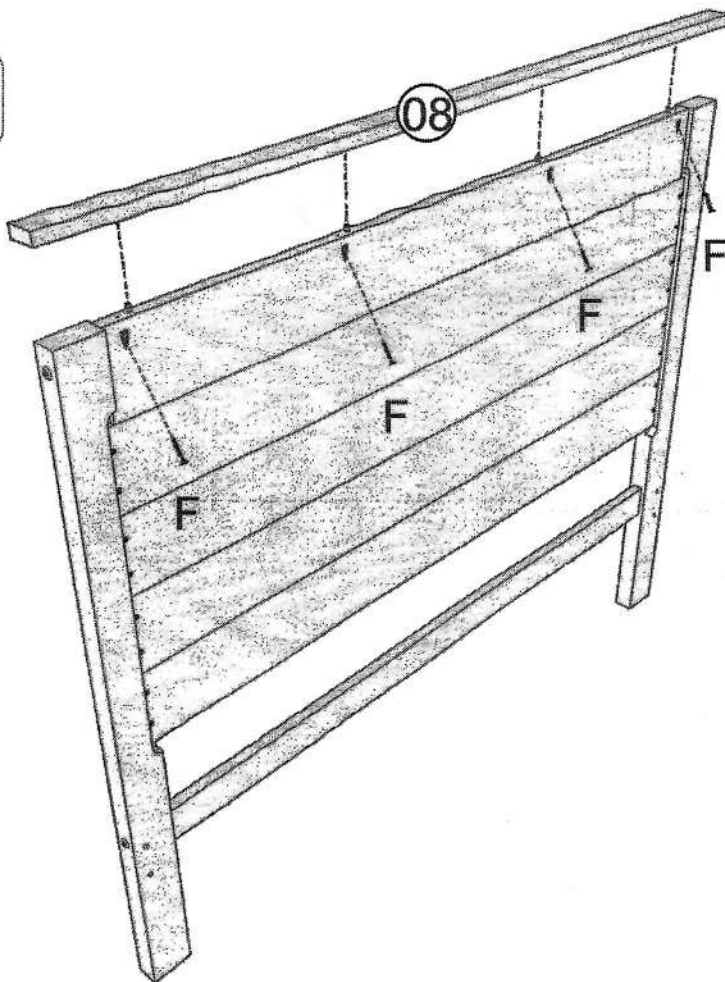
04



05

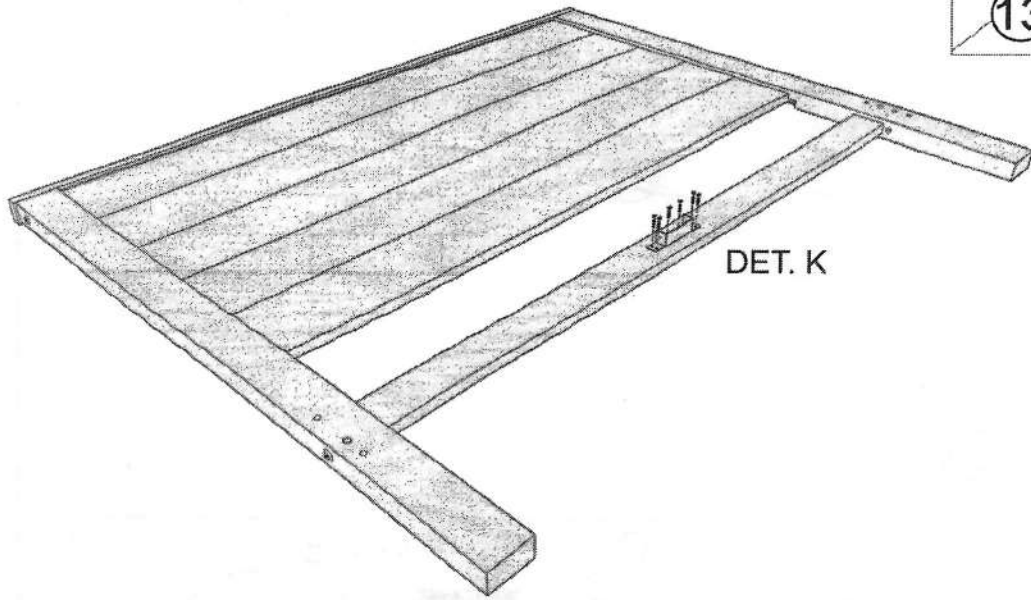
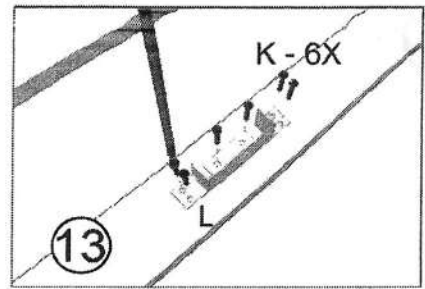


06

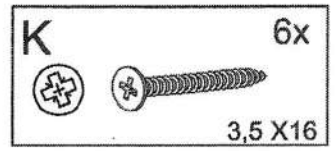


07

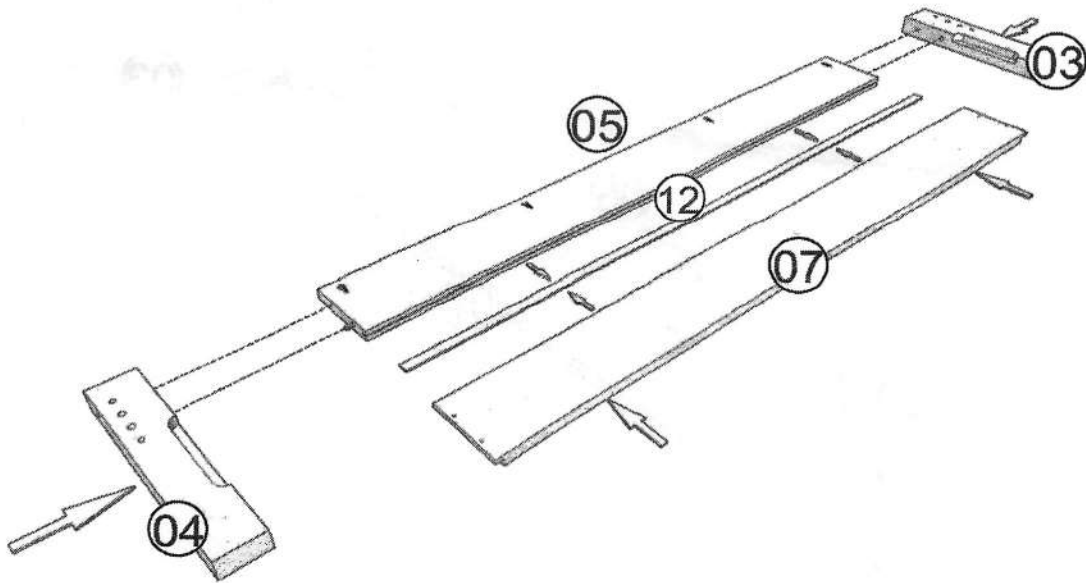
DET. K



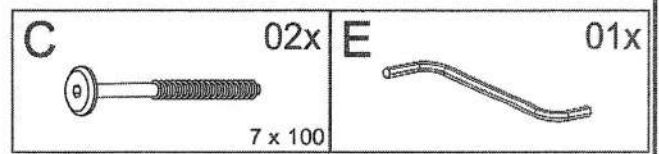
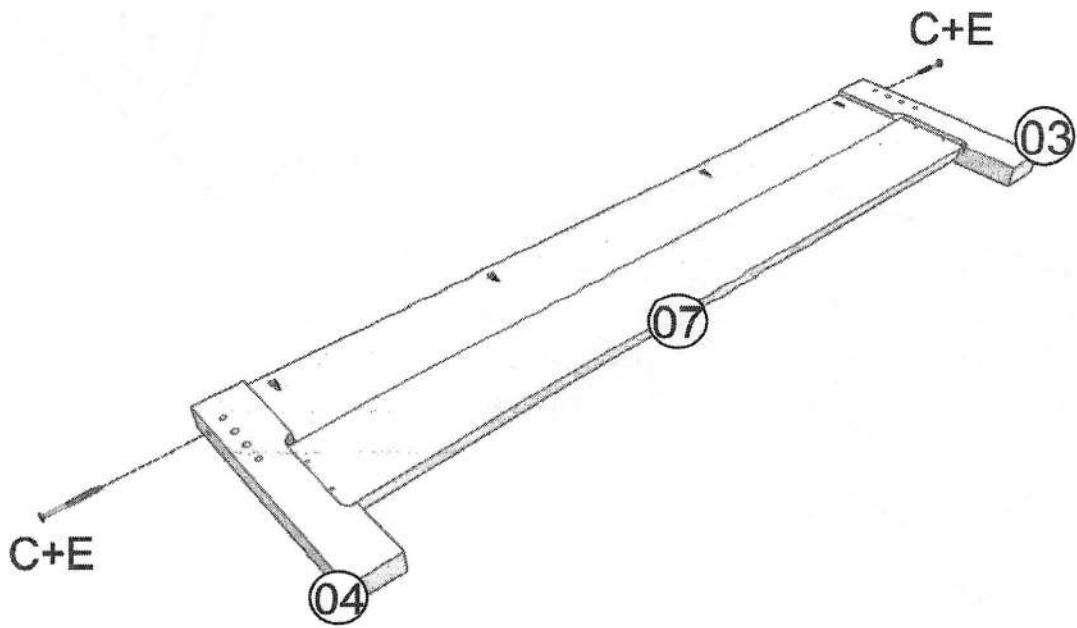
DET. K



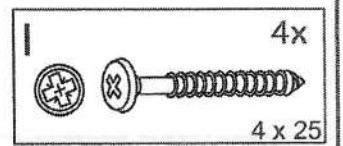
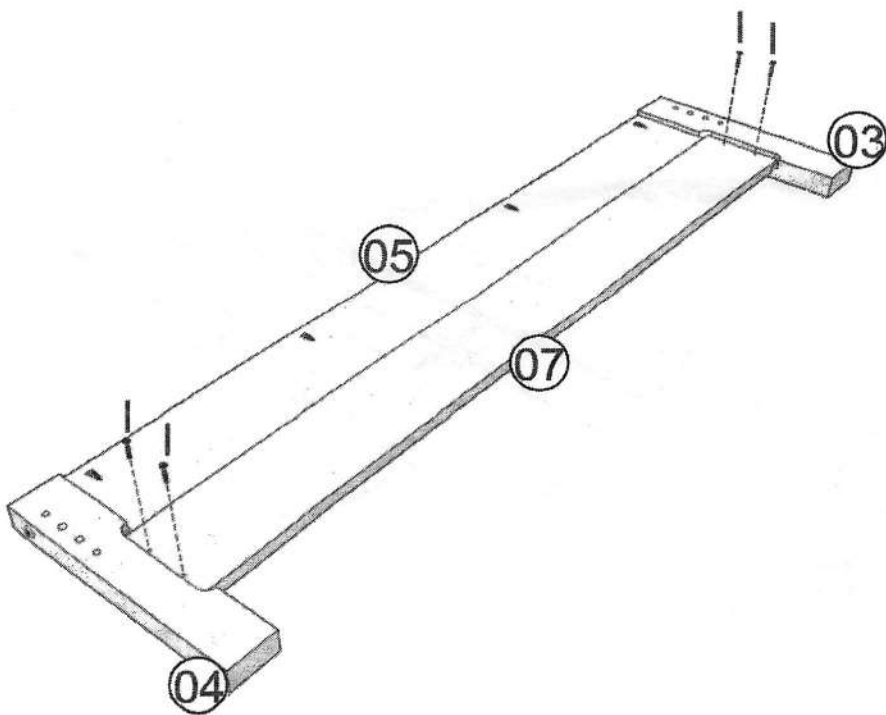
08



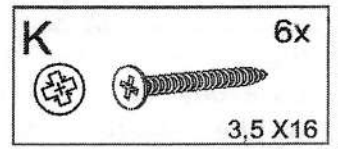
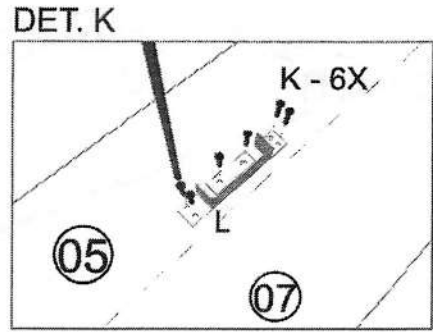
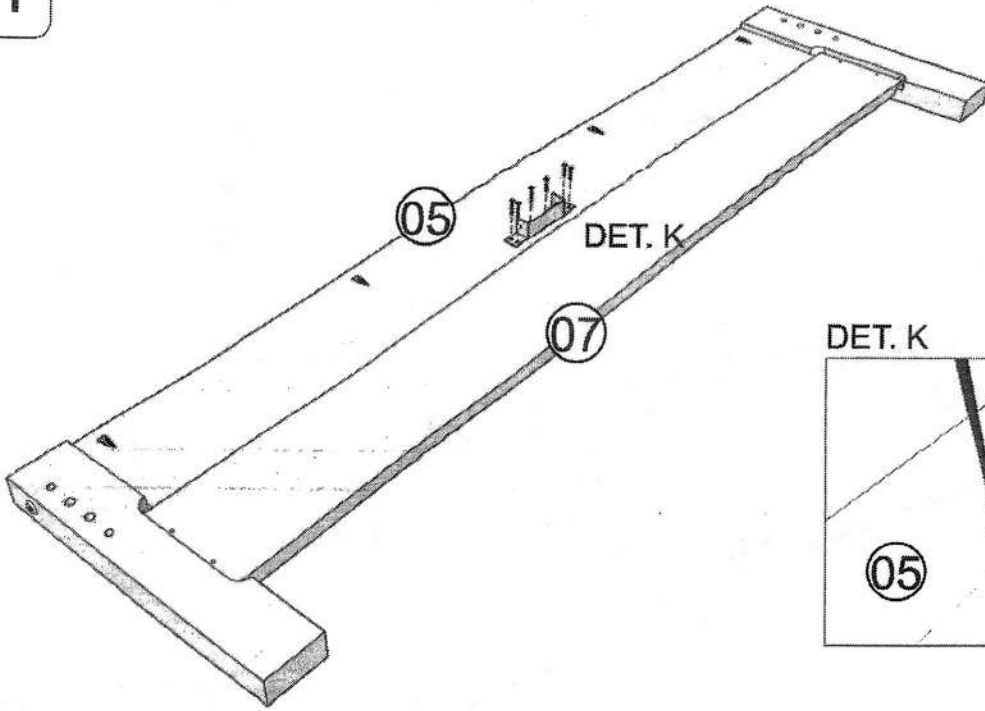
09



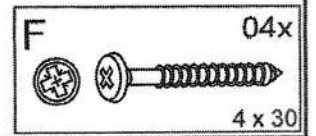
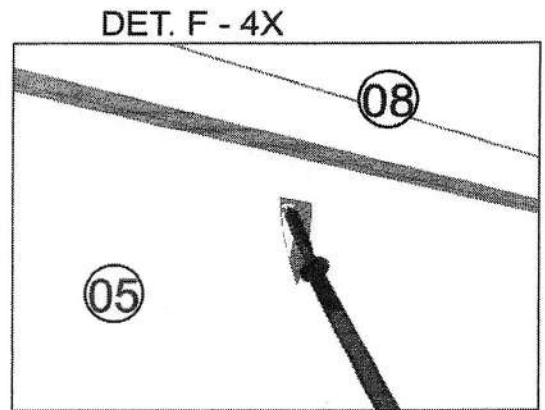
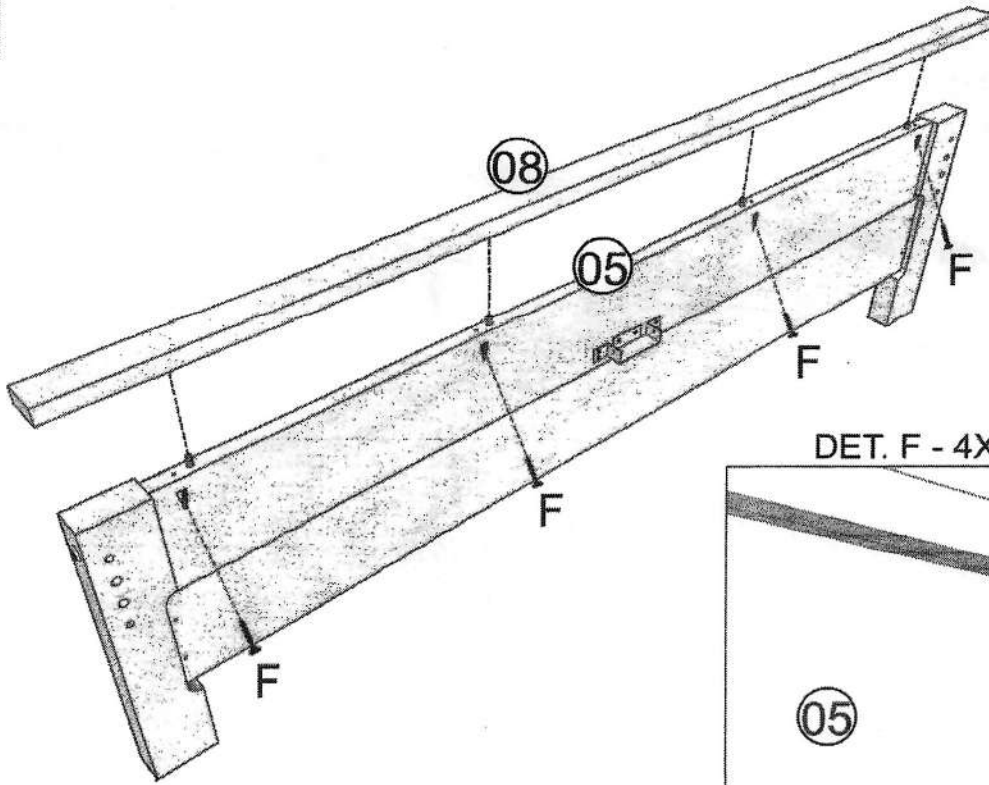
10



11

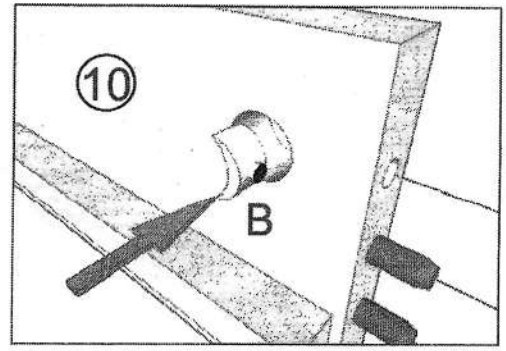
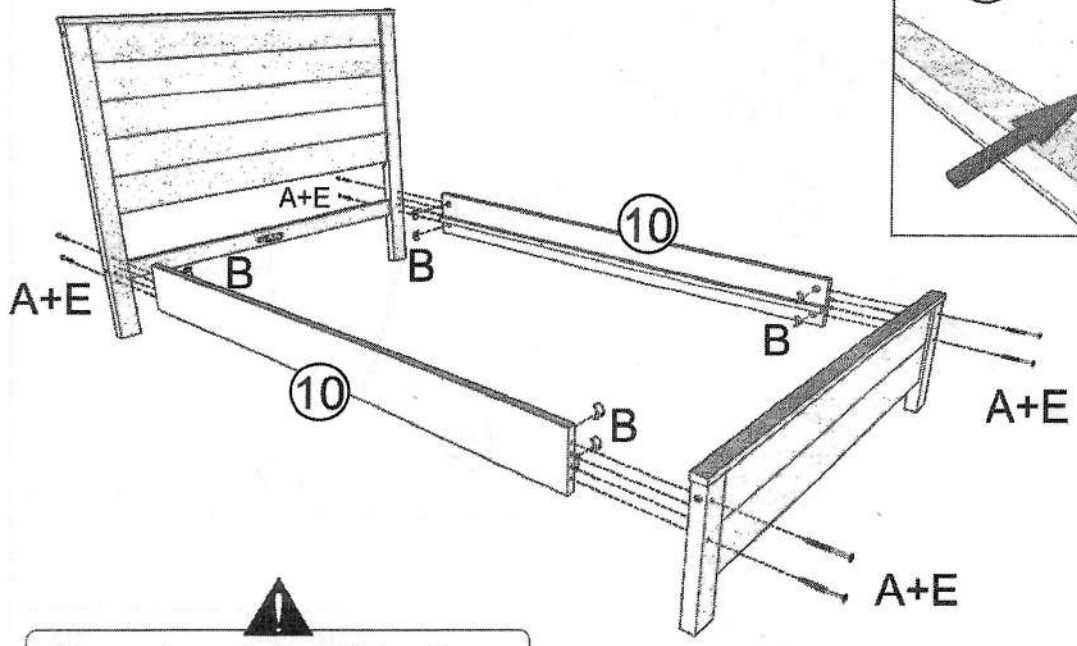


12

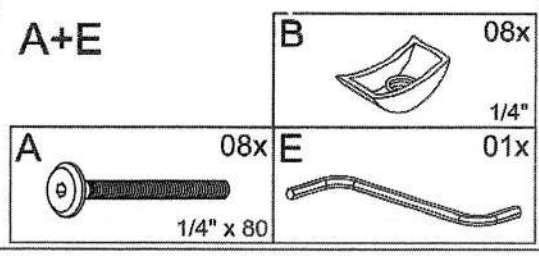


13

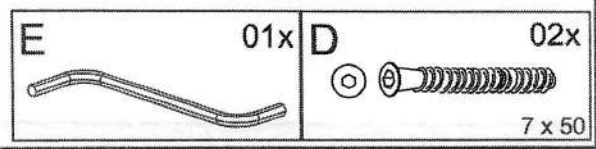
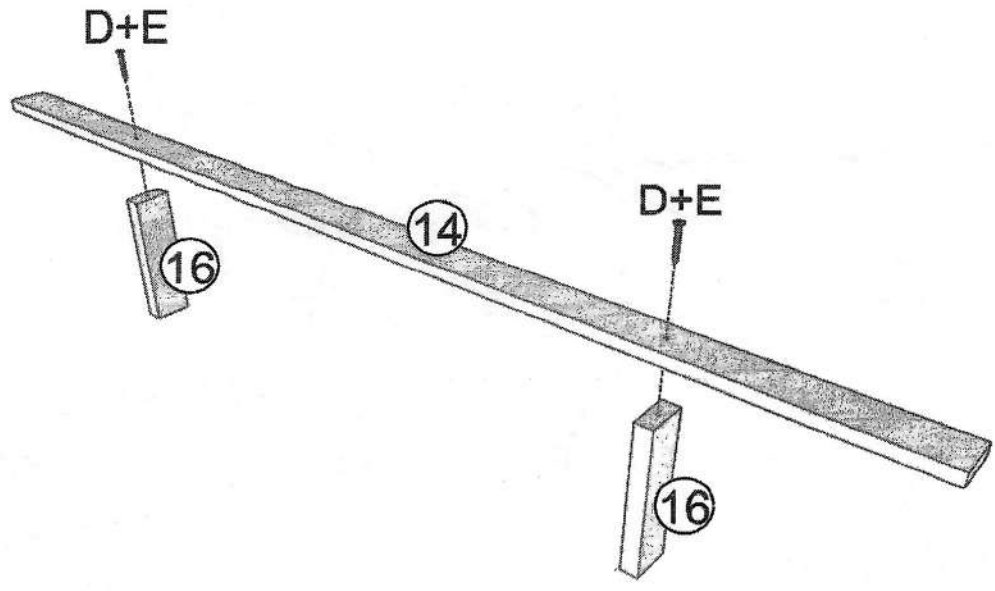
DET. B - 8X



⚠
Please insert the Siderail carefully to avoid damage to the Headboard/Footboard.

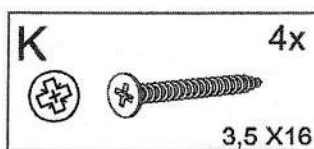
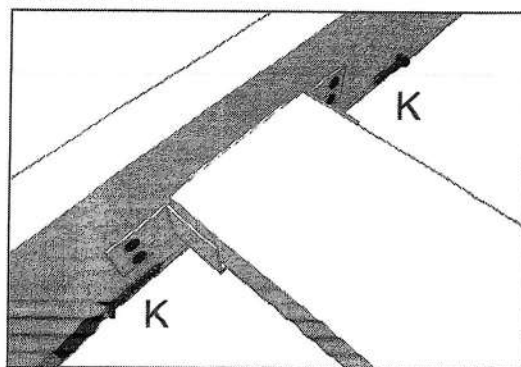
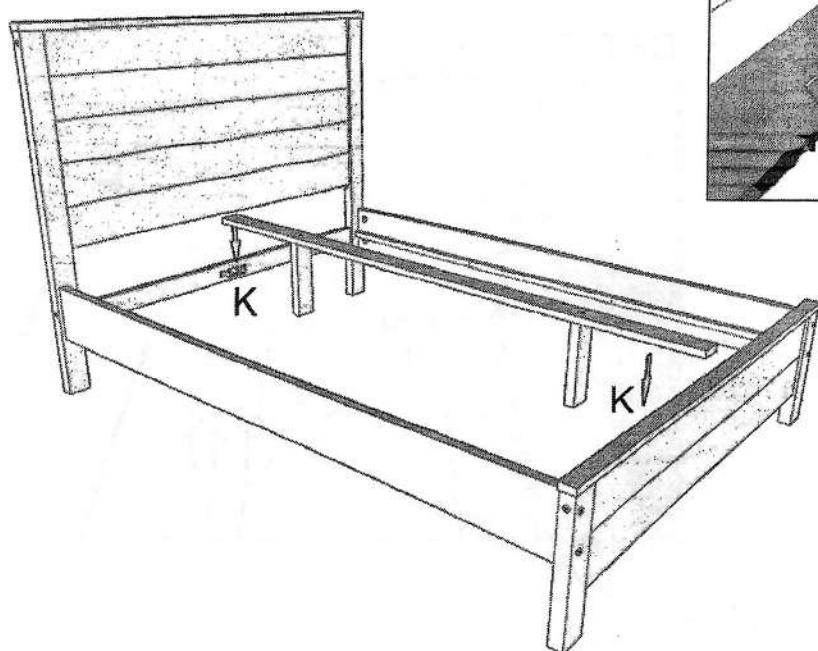


14



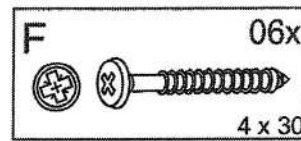
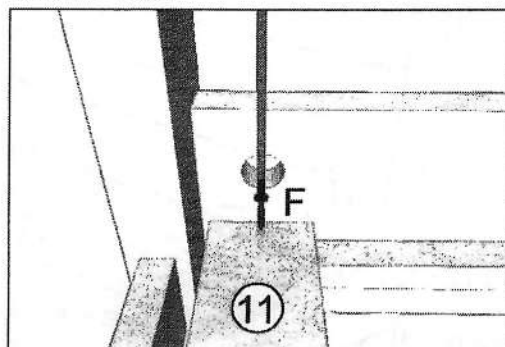
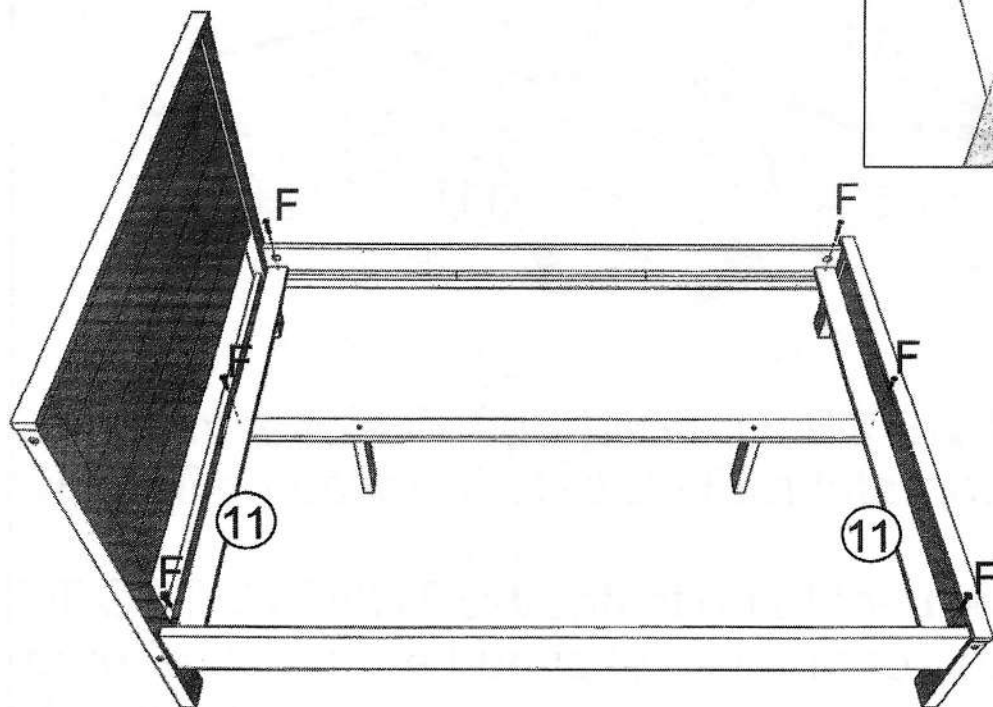
15

DET. K - 4X



16

DET. F - 6X

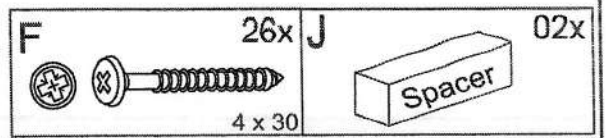
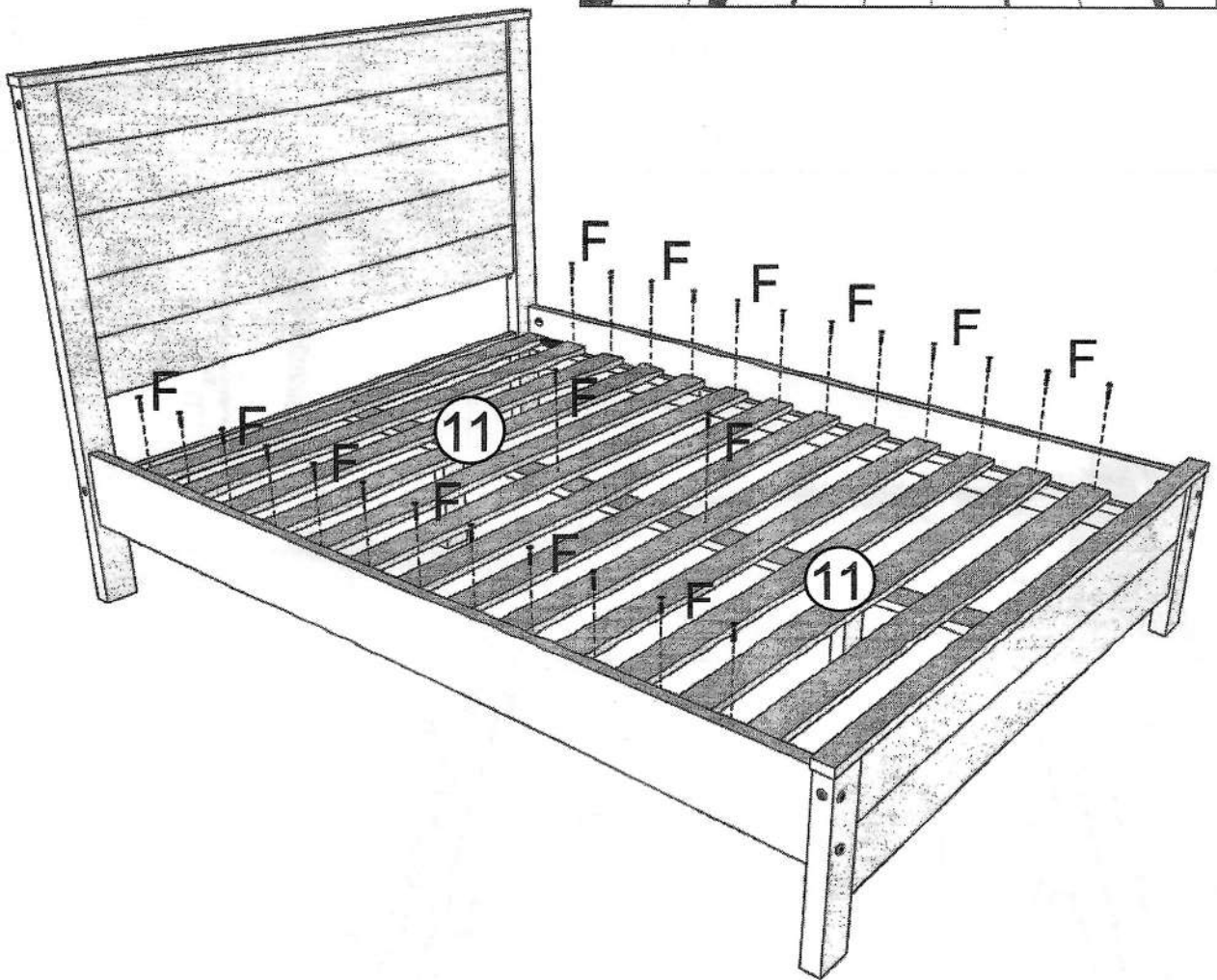
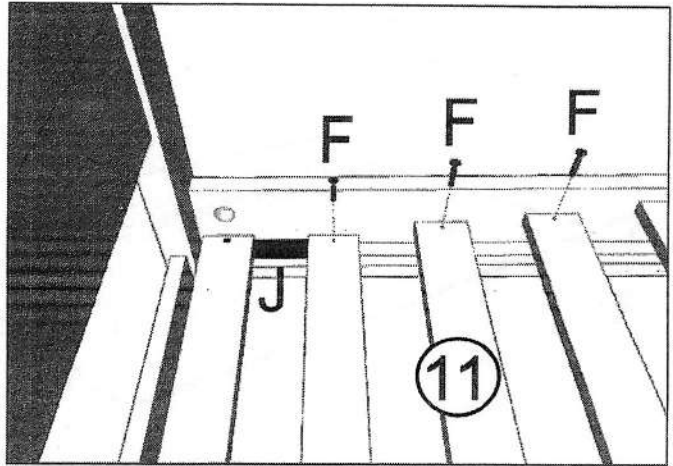


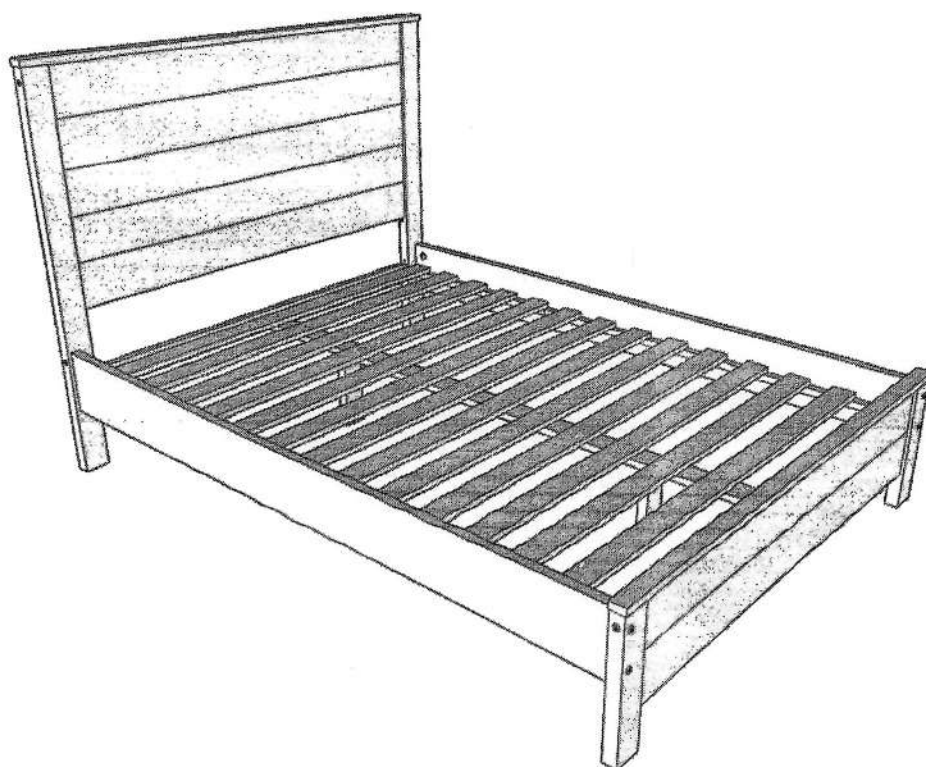
11/13

13/13

17

DET. F - 12X






Content of Vol. 1/1 - Slats, Frames, Crossbeam, Junction, Feet and Hardware.

- Compliance to: BD-93571-S1-TI: BS EN 1725:2023 Test Level 1 (Domestic), Tested By Fira International Ltd.

- **IMPORTANT NOTE:** Ventilation of the room is necessary in order to keep the humidity low and to prevent mould in and around the bed.


WHEN FULLY ASSEMBLED PLEASE
ENSURE ALL SCREWS ARE TIGHTENED.