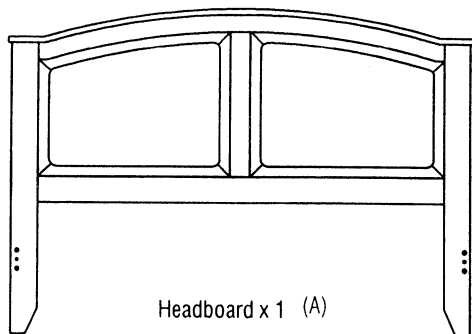
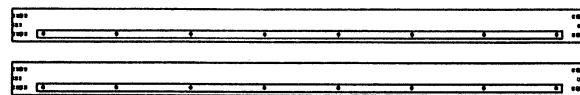


Assembly Instructions Parma Twin & Double Bed

Part in Box 1

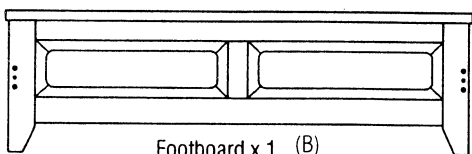


Part in Box 3

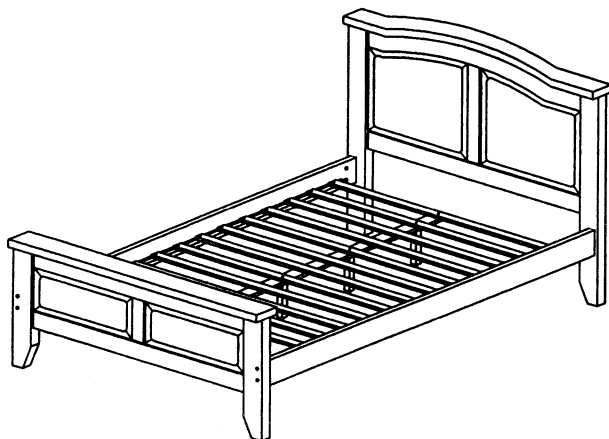
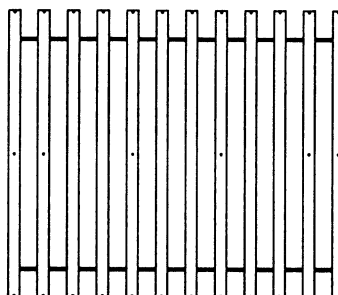


Support Legs x 4

Part in Box 2



Part in Box 4



ASSEMBLY TIPS

Remove hardware from box and sort by size to check that all hardware and parts are present before assembling. Follow instructions below in the proper sequence to ensure fast, easy and correct assembly.

⚠ WARNING !!

DO NOT FULLY TIGHTEN ALL BOLTS UNTIL ALL PARTS ARE IN PLACE. FAILURE TO FOLLOW THIS INSTRUCTION MAY CAUSE THE BOLTS TO BE MISALIGNED DURING THE ASSEMBLY.

NOTE : DURING ASSEMBLY , DO NOT TIGHTEN ANY SCREWS UNTIL THE COMPLETE UNIT HAS BEEN ASSEMBLED.

Hardware List

1.	JCBC M6 x 70mm		x 8
2.	JCBC M6 x 65mm		x 4
3.	JCBC M6 x 45mm		x 2
4.	M6 x 15mm Barrel Nut		x 8
5.	Wood Dowel M10 x 40mm		x 4
6.	M6 Hex . Nut		x 2
7.	Flat Washer		x 2
8.	CSK M4 x 25mm		x 24
9.	Adjustable Screw		x 4
10.	M4 Allen Key		x 1

Tool required for assembly :



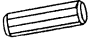
- * Allen Key (supplied)
- * Phillips Screwdriver (not supplied)

Thank you for purchasing this quality product. Be sure to check all packed material carefully for small parts which may have come loose inside the carton during shipment. Place all parts on a clean , smooth surface such as a rug or carpet to avoid scratching the parts. Be sure you have all the parts and hardware before you begin assembly.

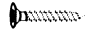

Assembly Instructions





Parma Twin & Double Bed

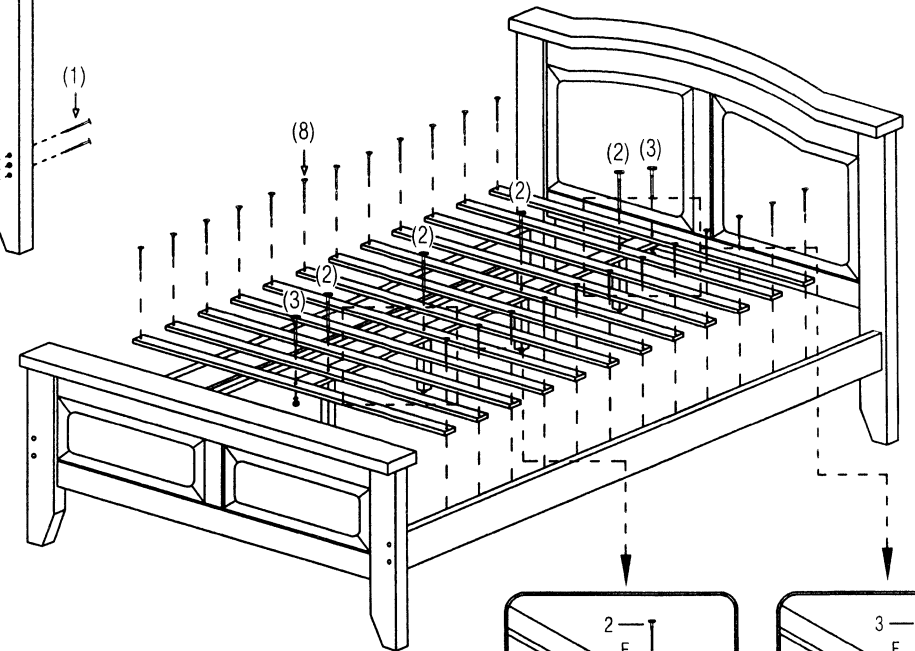
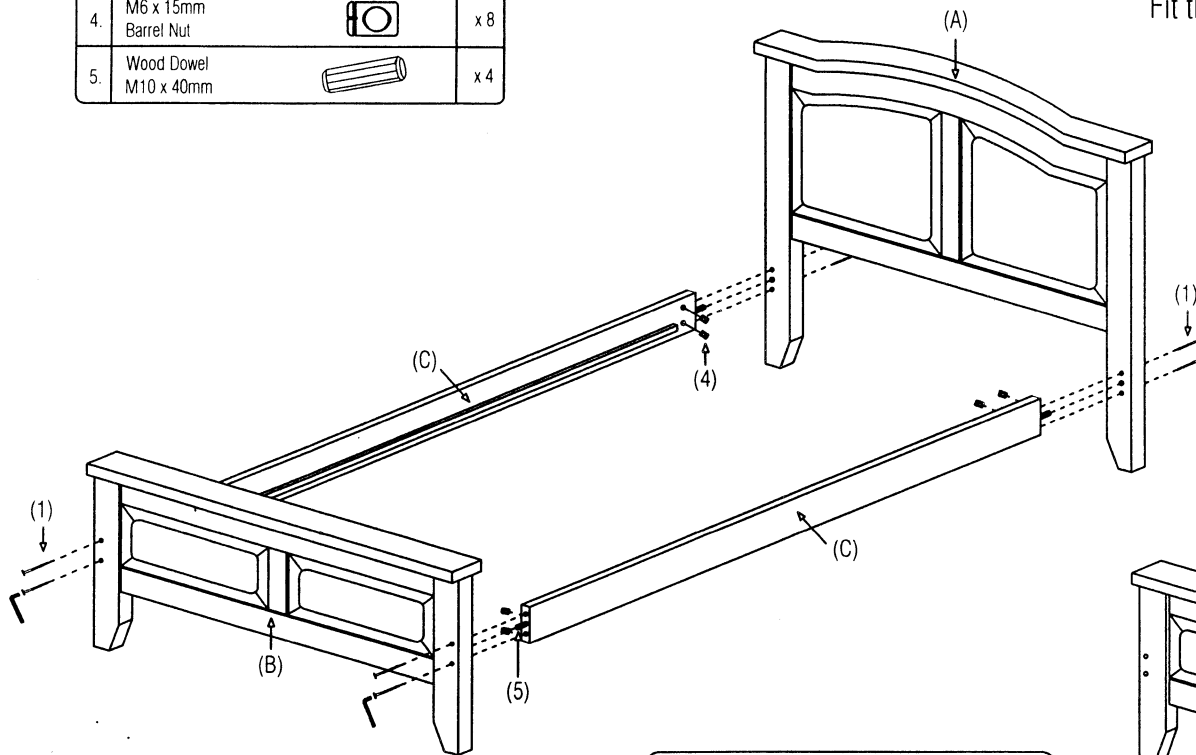
1 Attach the Side Rails (C) to the Headboard (A) and Footboard (B).

1.	JCBC M6 x 70mm		x 8
4.	M6 x 15mm Barrel Nut		x 8
5.	Wood Dowel M10 x 40mm		x 4

2 Lock the Support Legs (E) on Slats (F) & Center Rail (D). Please Note that the Hex Nut or Support Legs (E) have Adjuster at Bottom. Unscrew to Adjust if necessary.
Fit the Slats (F) in the Place.

8.	CSK Screw M4 x 25mm		x 24
9.	Adjustable Screw		x 4

2.	JCBC M6 x 65mm		x 4
3.	JCBC M6 x 45mm		x 2
6.	M6 Hex . Nut		x 2
7.	Flat Washer		x 2



Tighten the Bolts.
When everything is put together tighten all the Bolts.

Lay the Slats inside the Side Rails as shown below, and fix in place with 25mm Csk Screws (total 24)

