
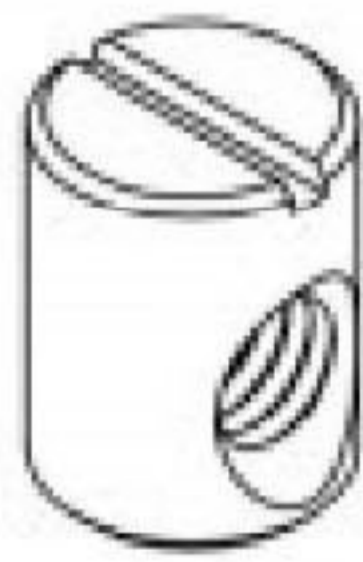
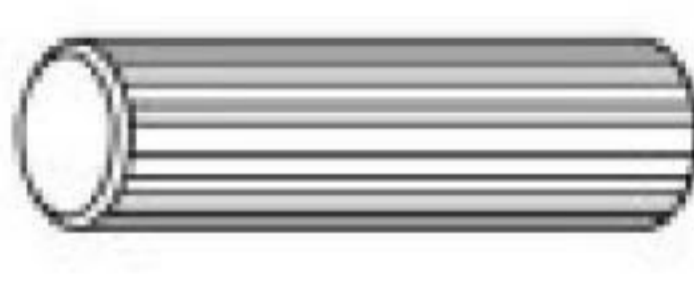
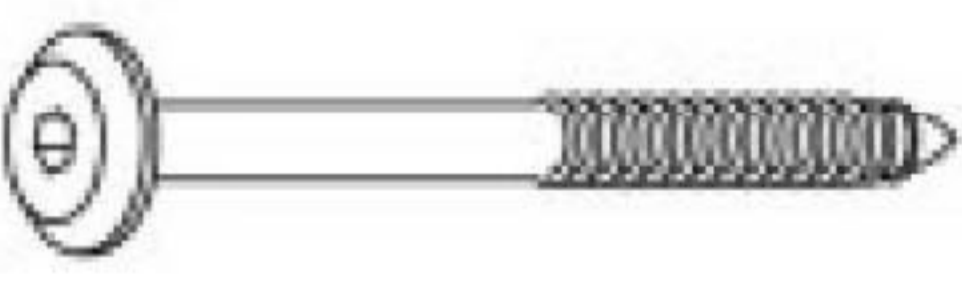
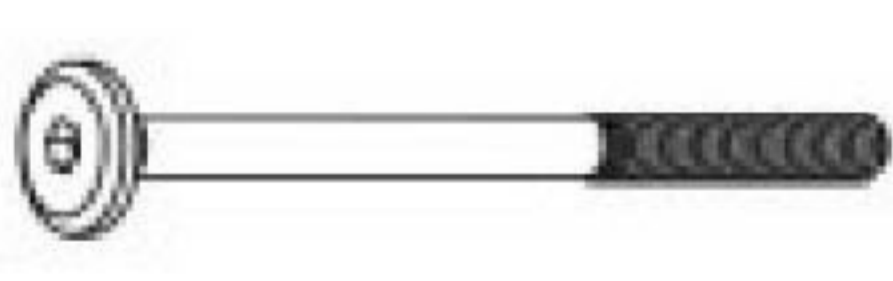
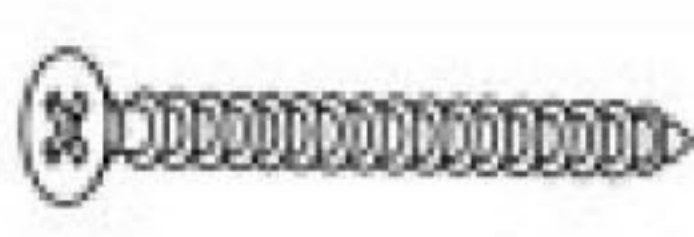

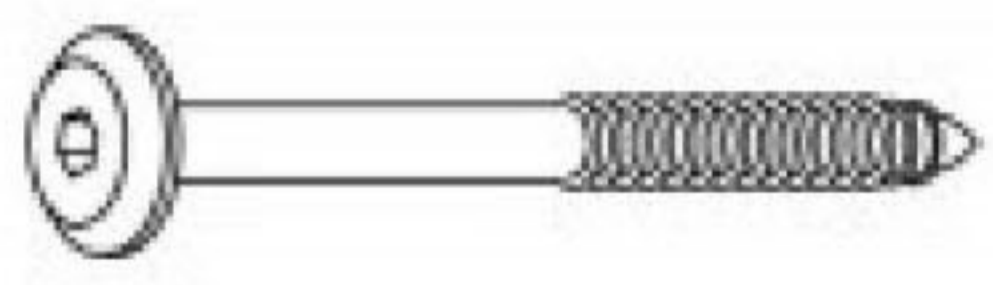
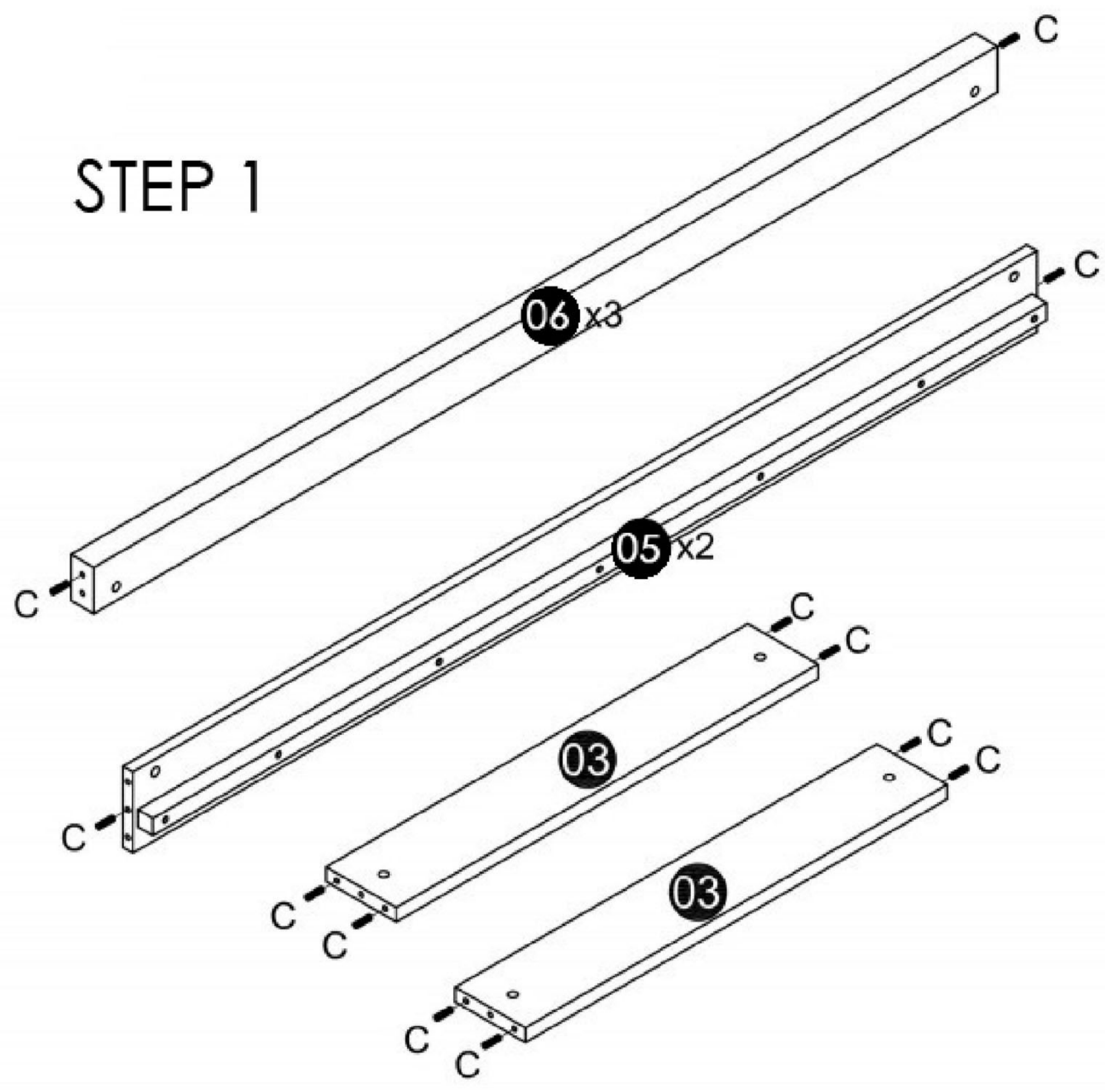


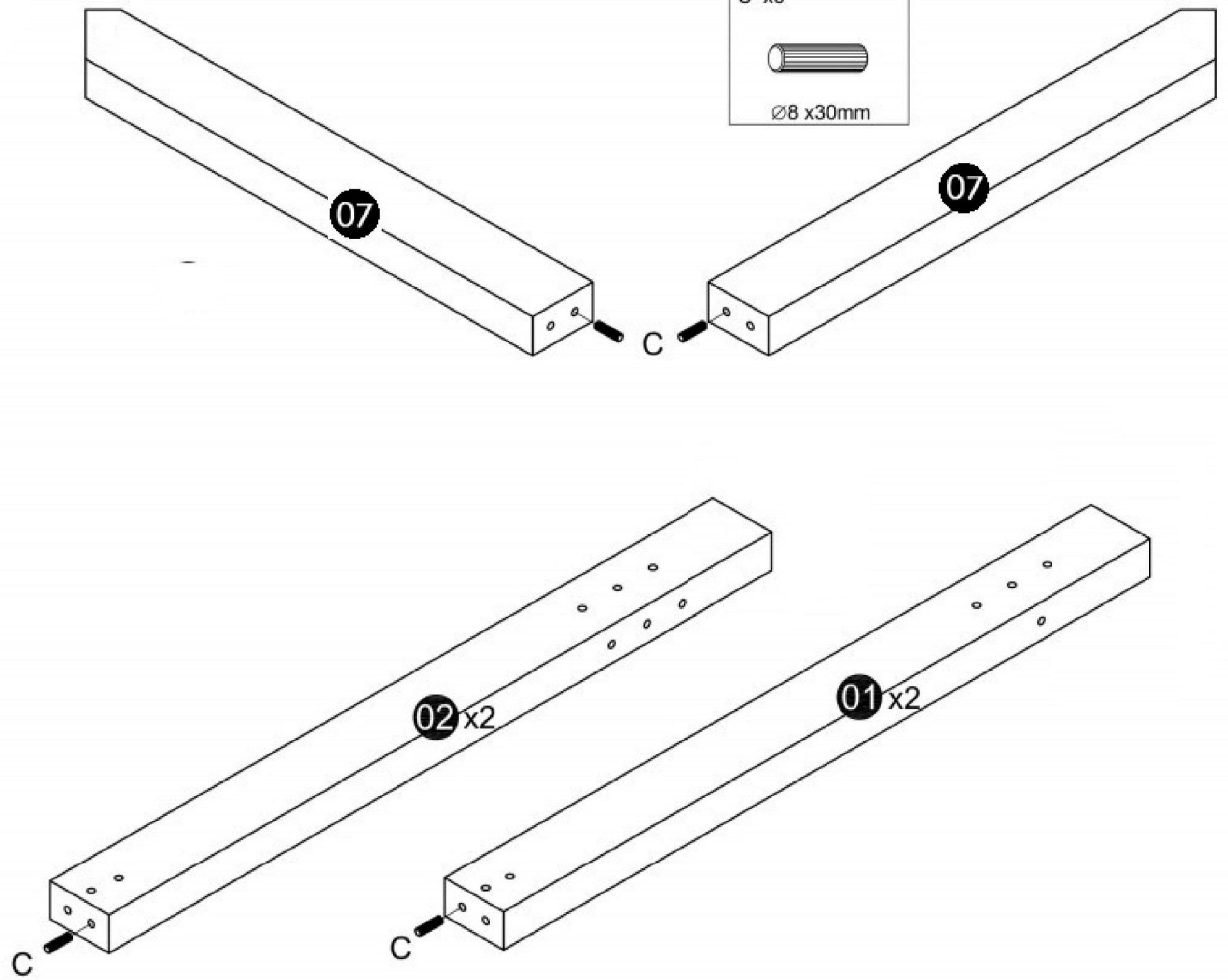
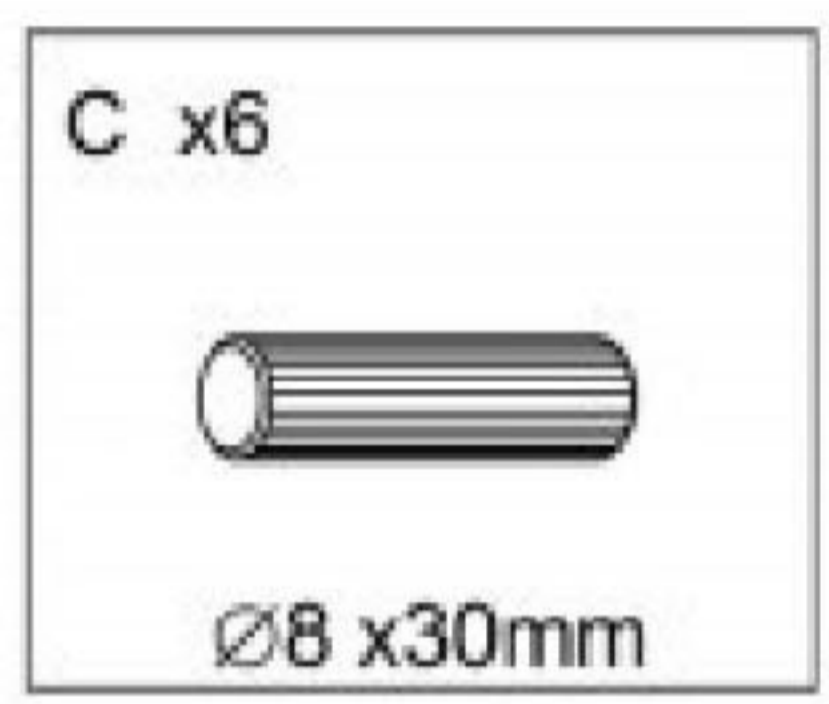
<p>A x14</p>  <p>M6 x70 mm</p>	<p>B x18</p> 	<p>C x24</p>  <p>Ø8 x30mm</p>	<p>D x4</p>  <p>Ø6 x60mm</p>	<p>E x4</p>  <p>M6 x100mm</p>
<p>F x 26</p>  <p>Ø4 x30mm</p>	<p>G x1</p> 	<p>H x2</p>  <p>Ø6 x 100 mm</p>		



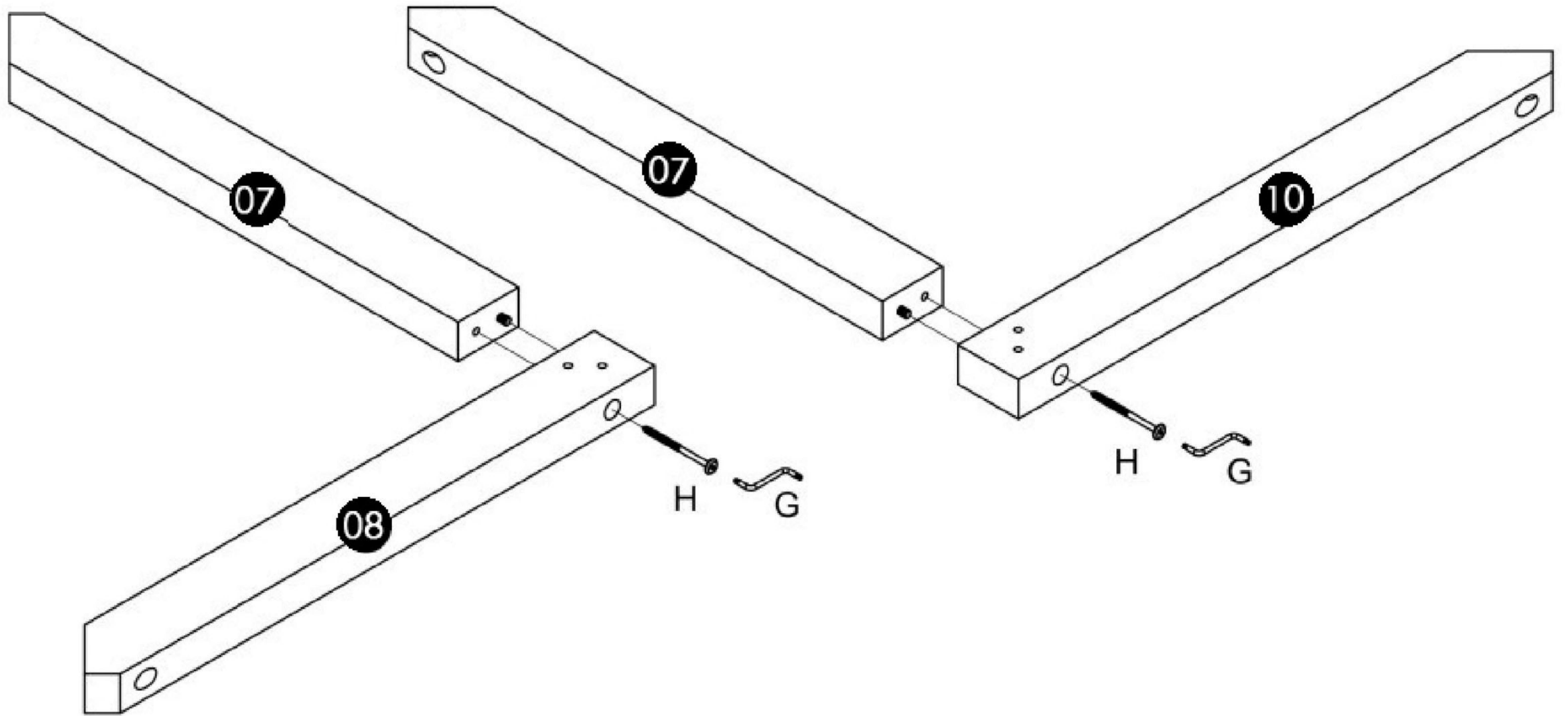
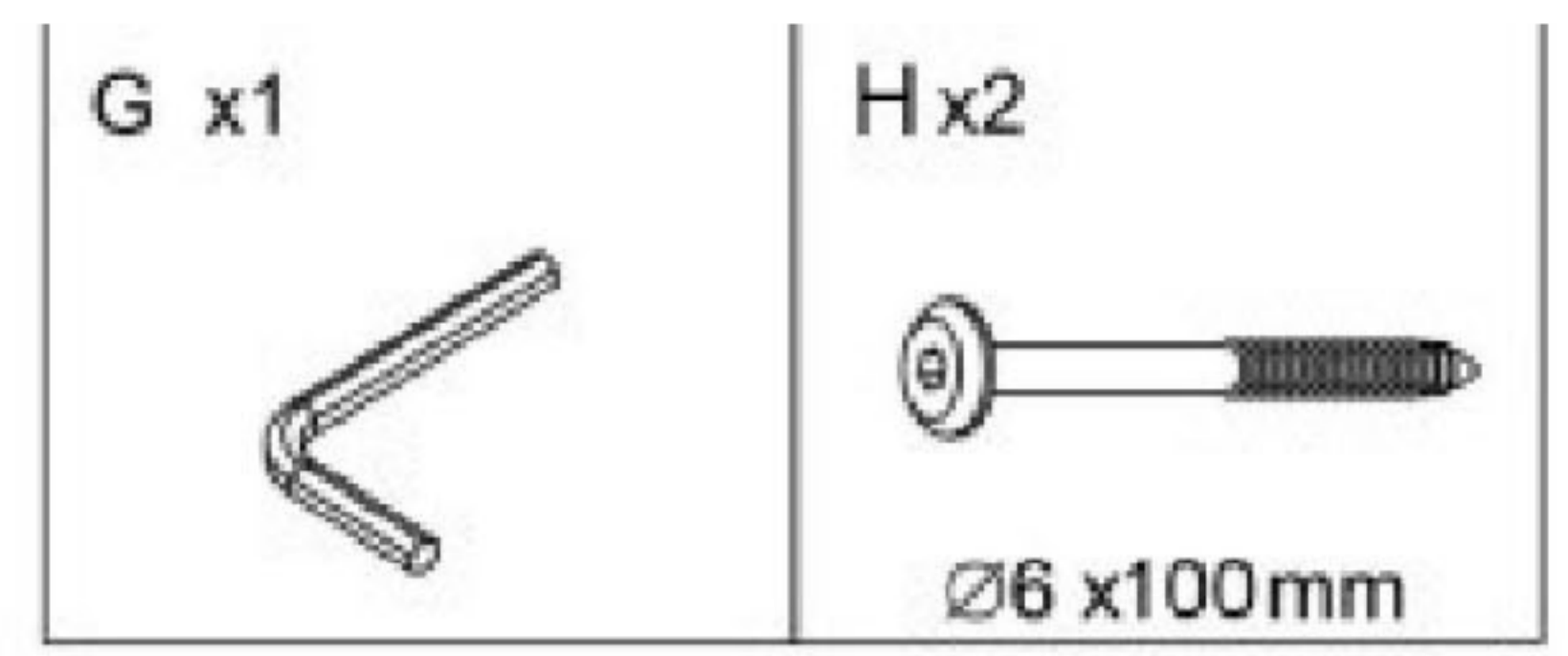
STEP 1



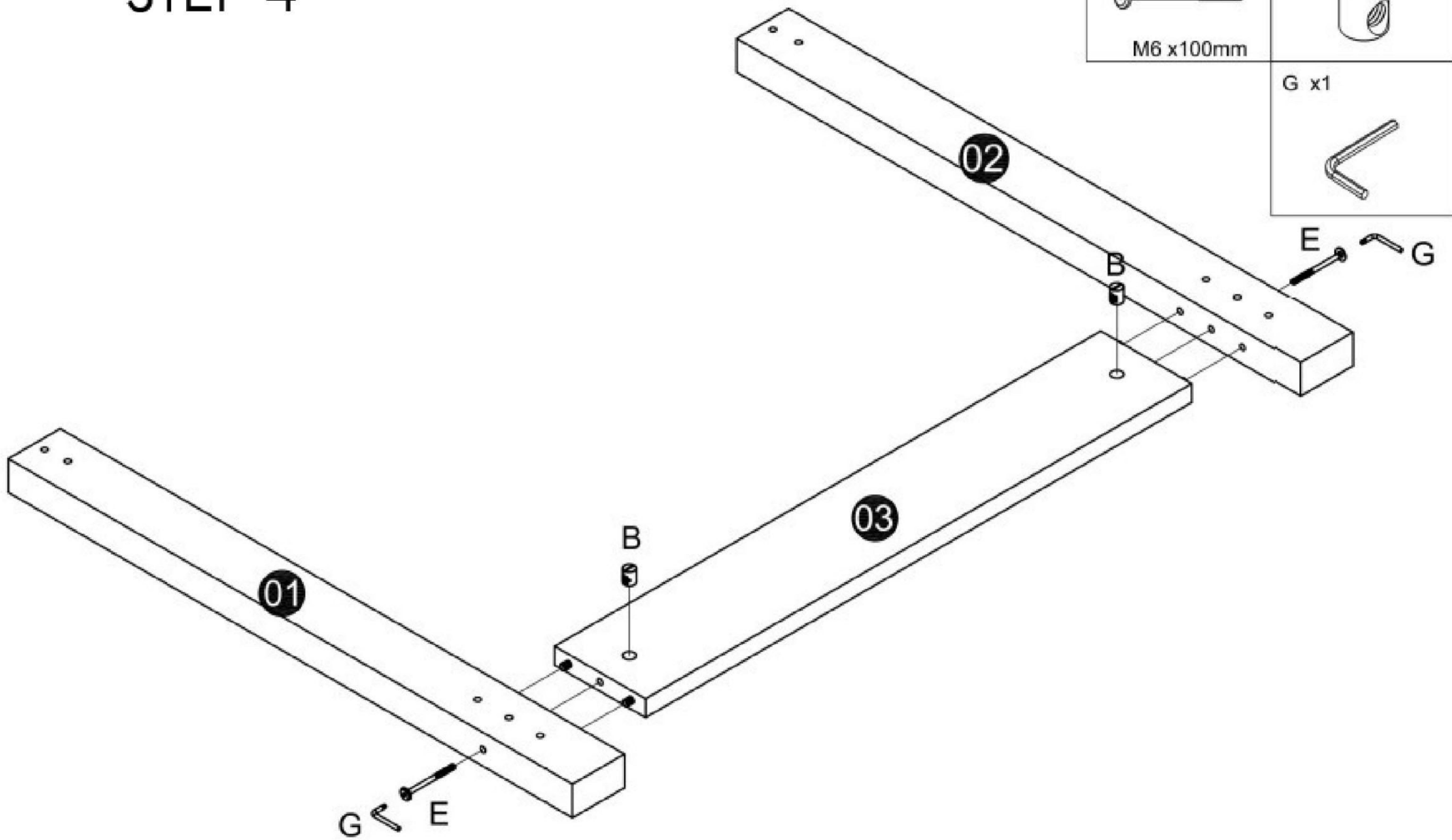
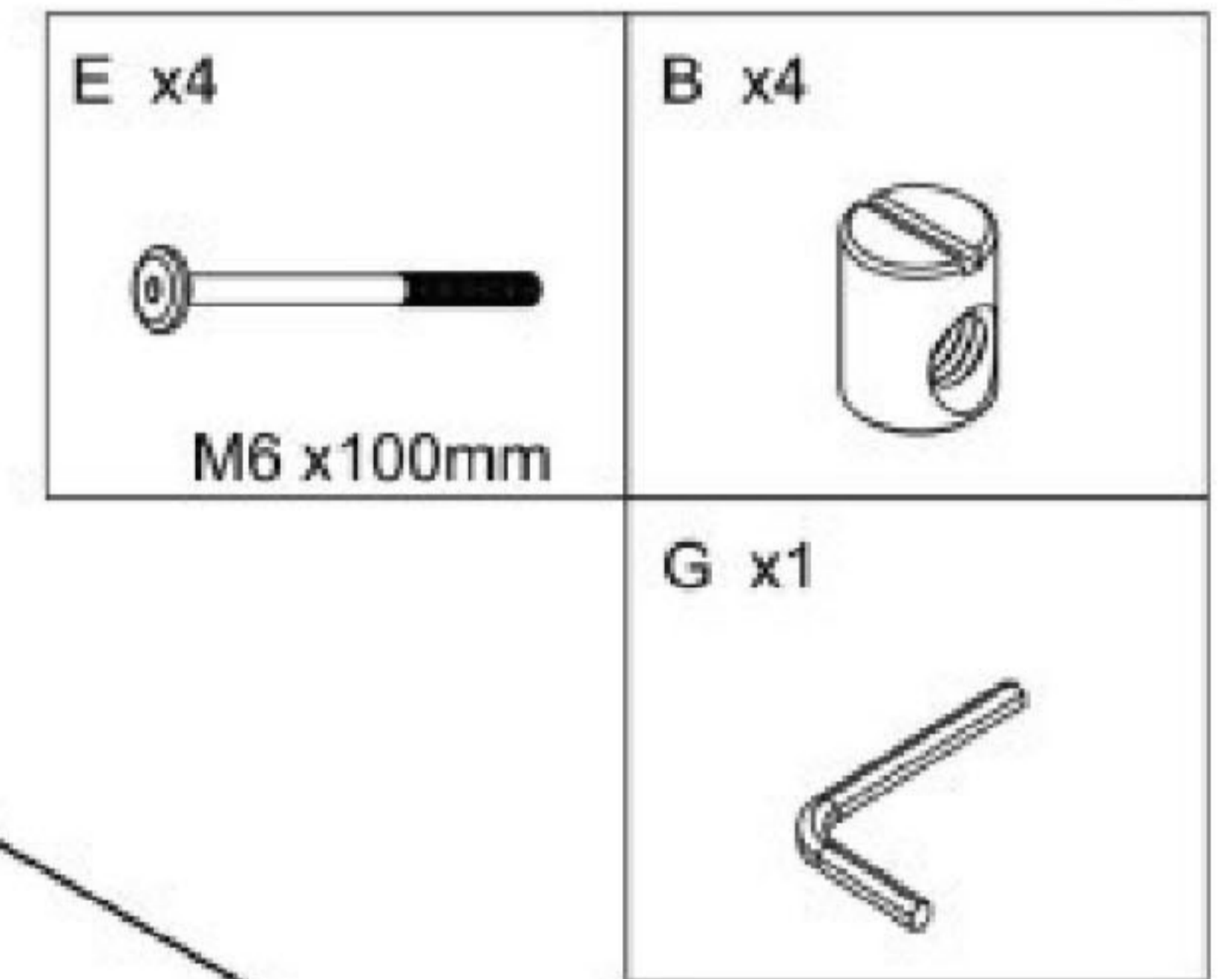
STEP 2





STEP 3

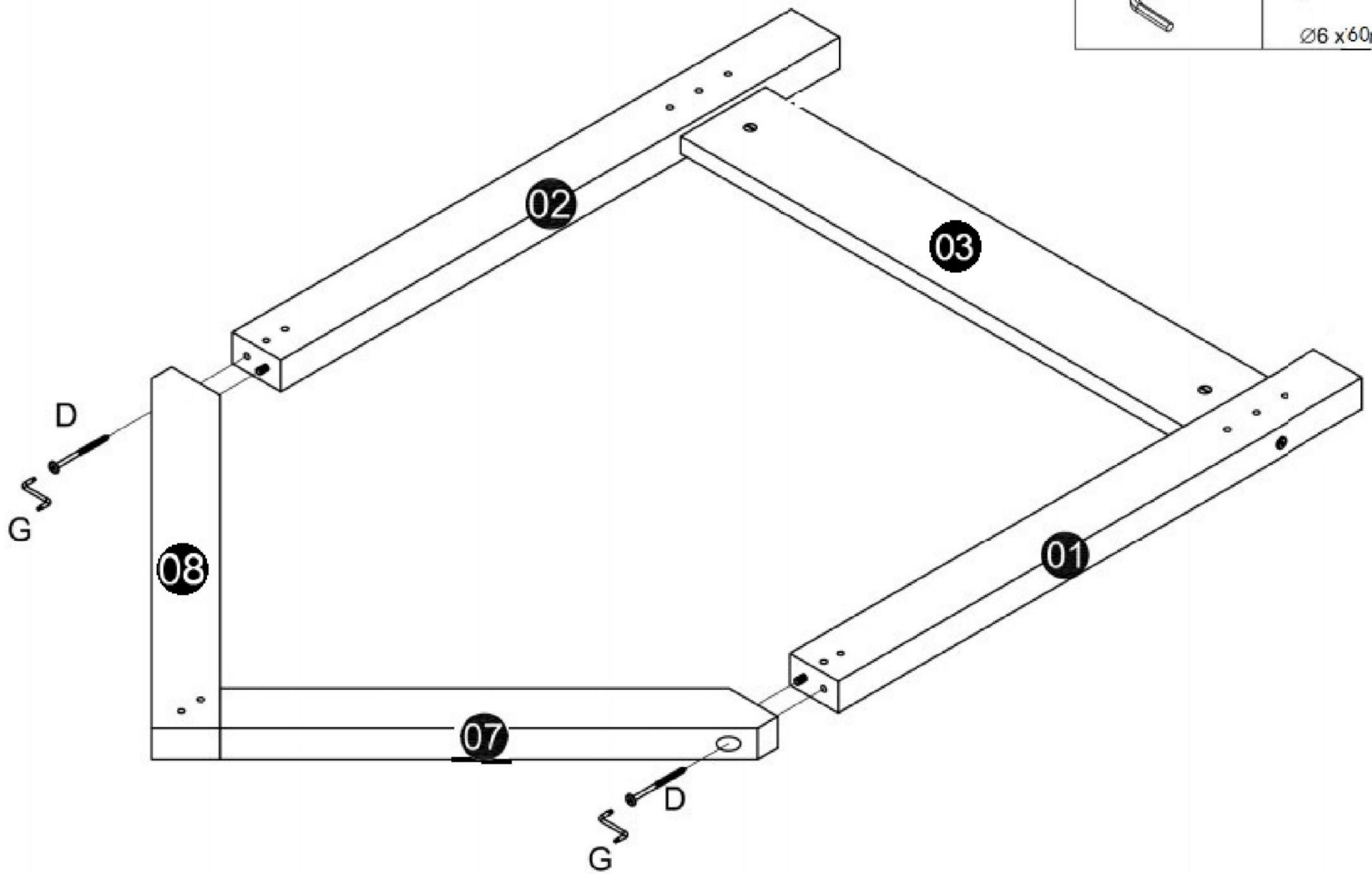


STEP 4





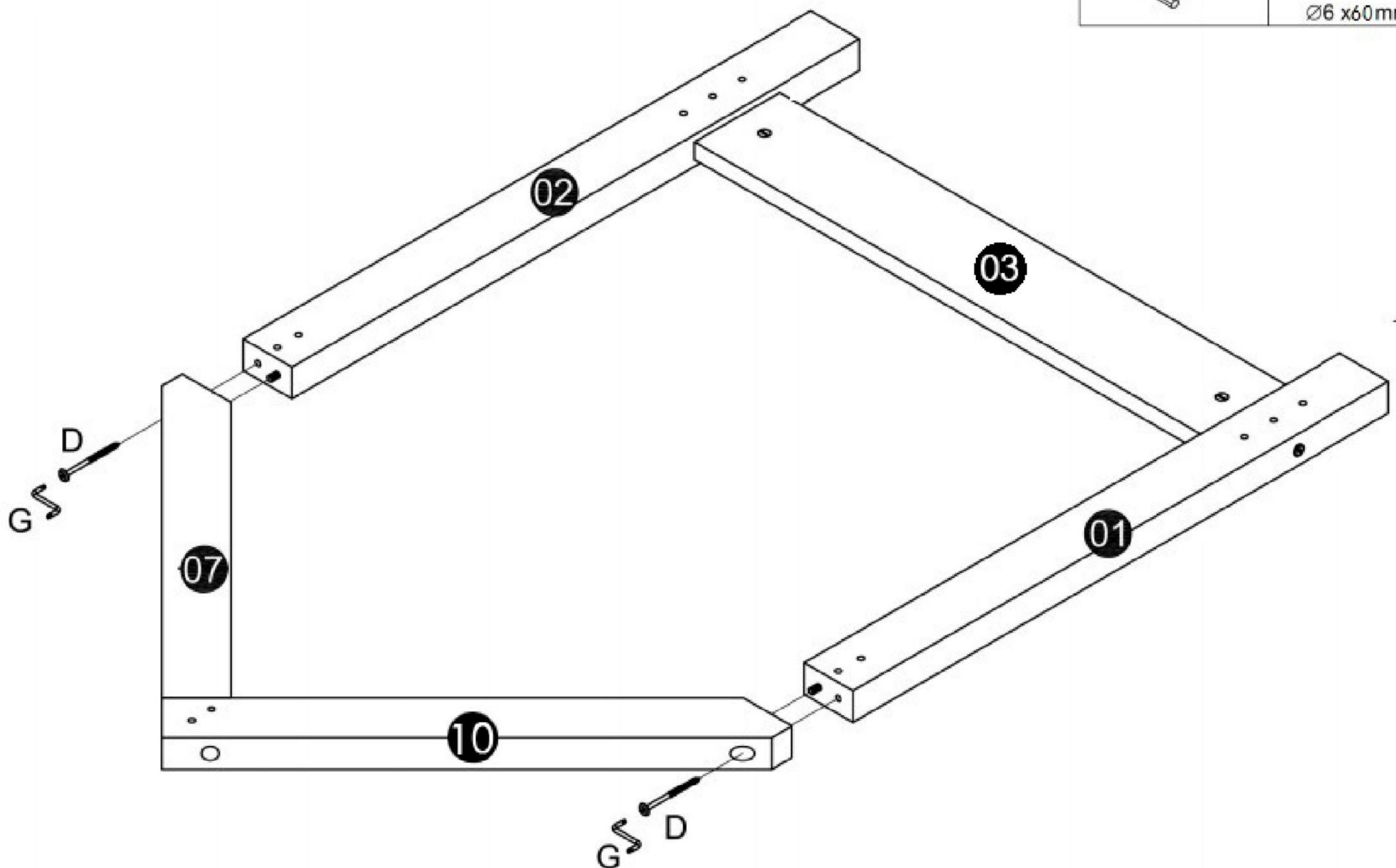
STEP 5

G x1	D x2
	
	Ø6 x60mm

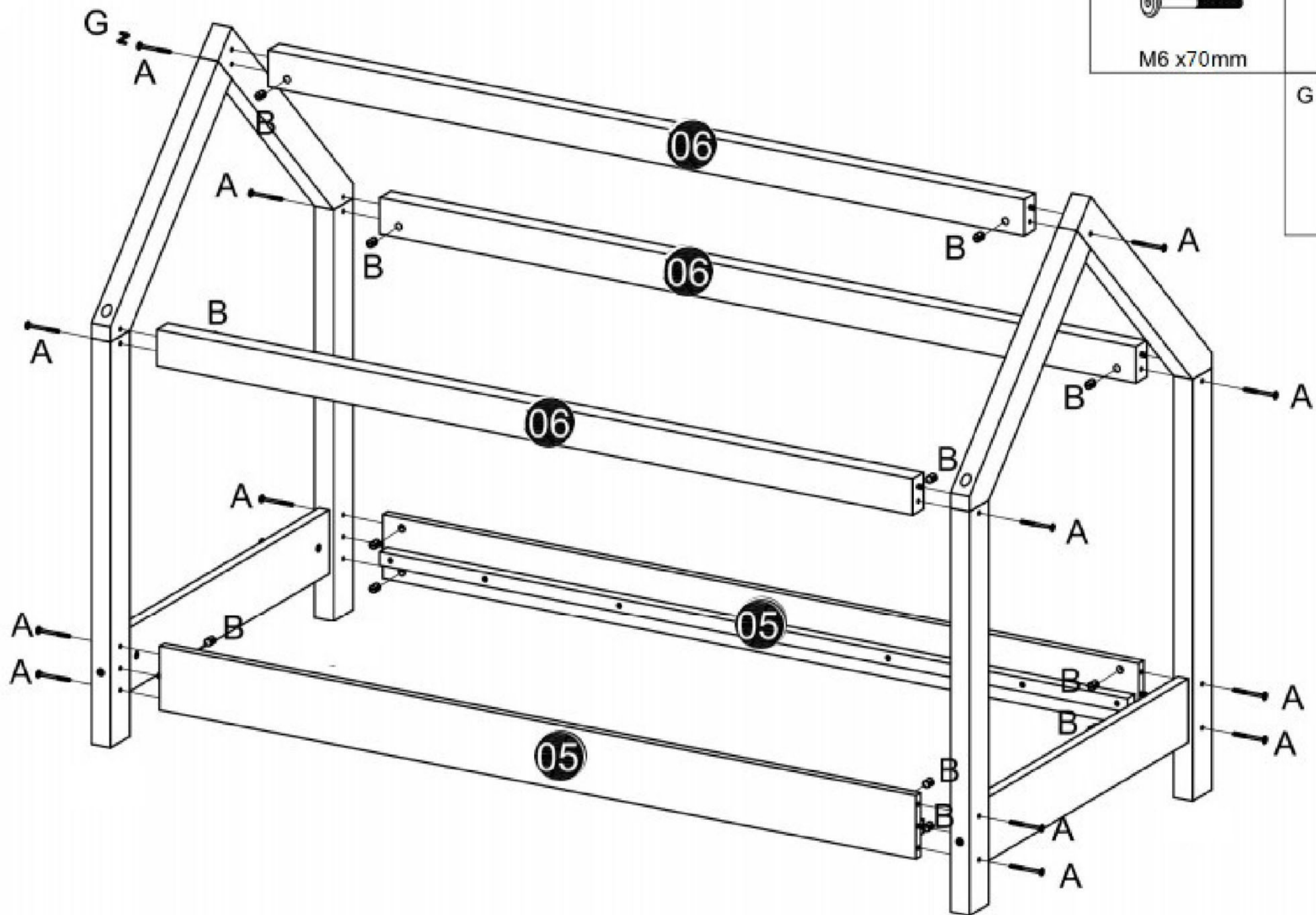


STEP 6

G x1	D x2
	
	Ø6 x60mm

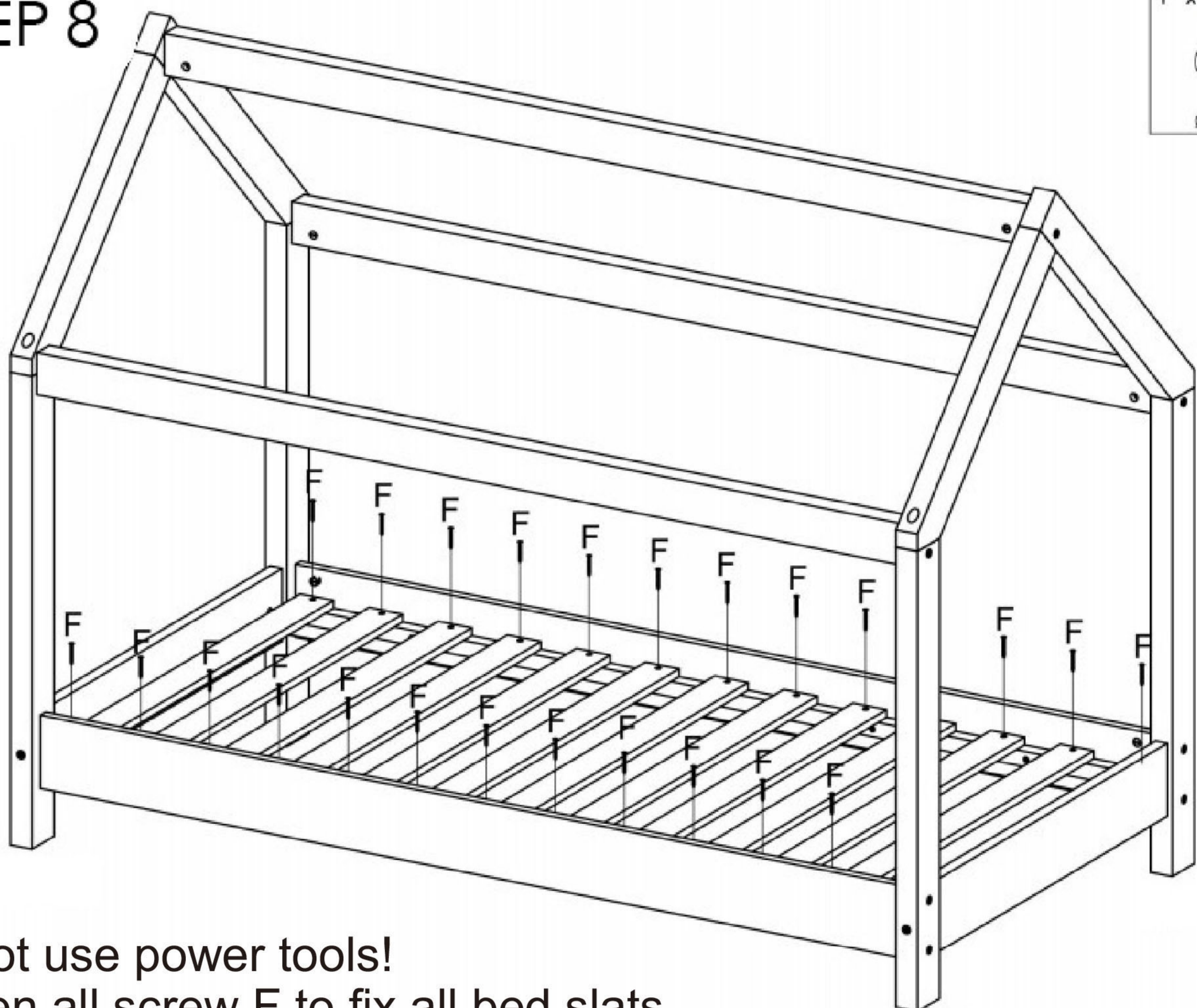


STEP 7



A x14 M6 x70mm	B x14
G x1	

STEP 8



F x26
Ø4 x30mm

Note:
Do Not use power tools!
Tighten all screw F to fix all bed slats