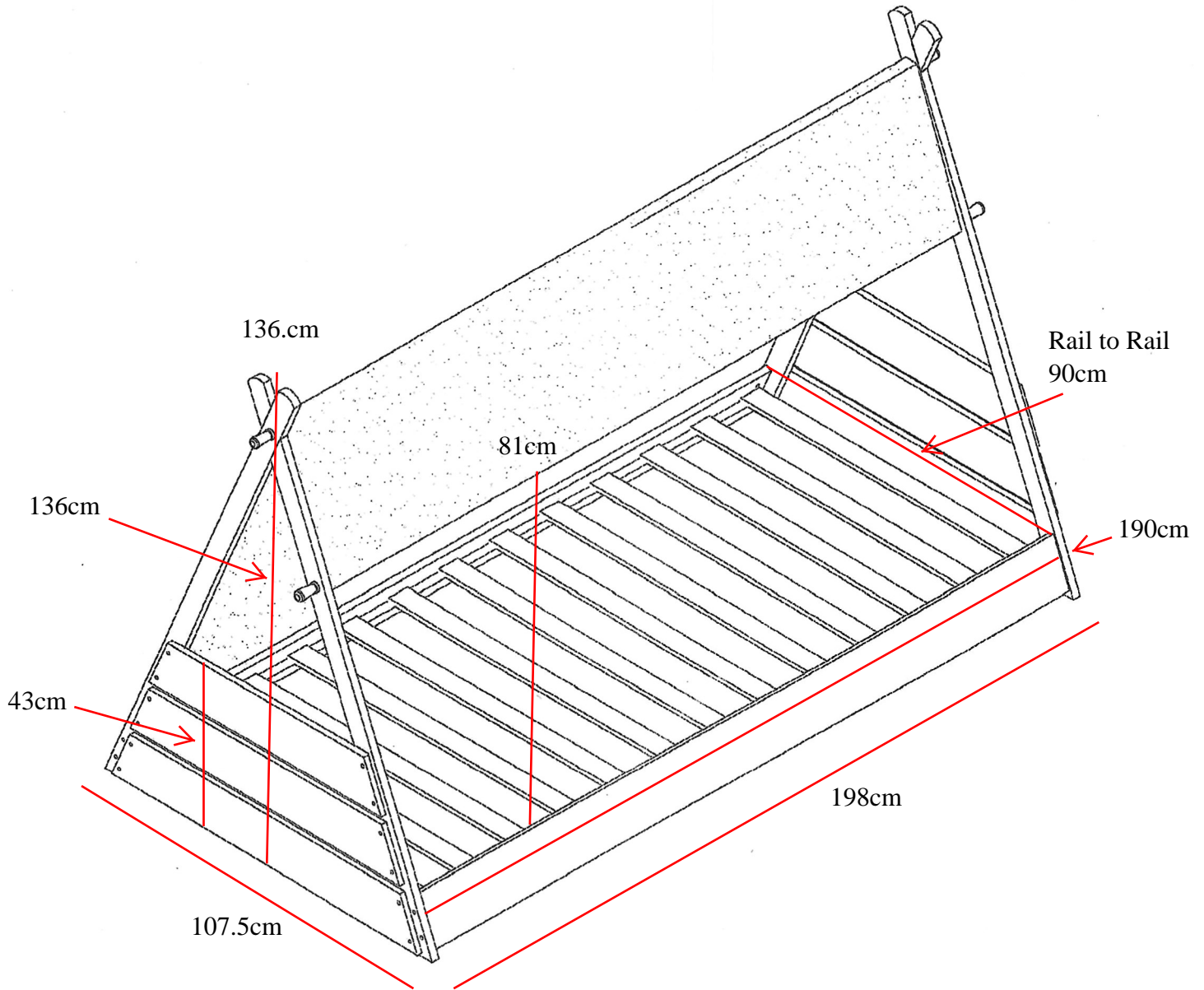
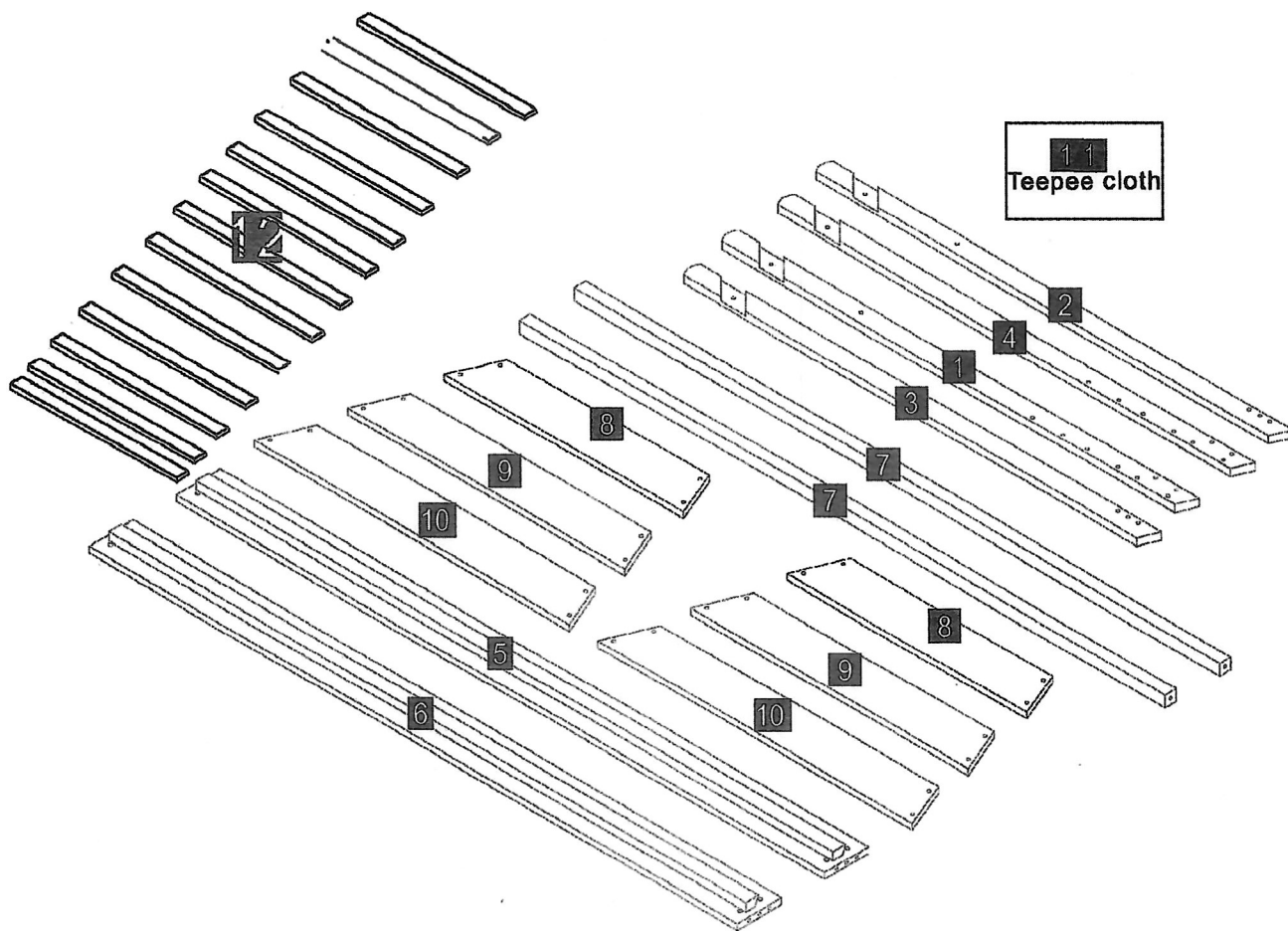









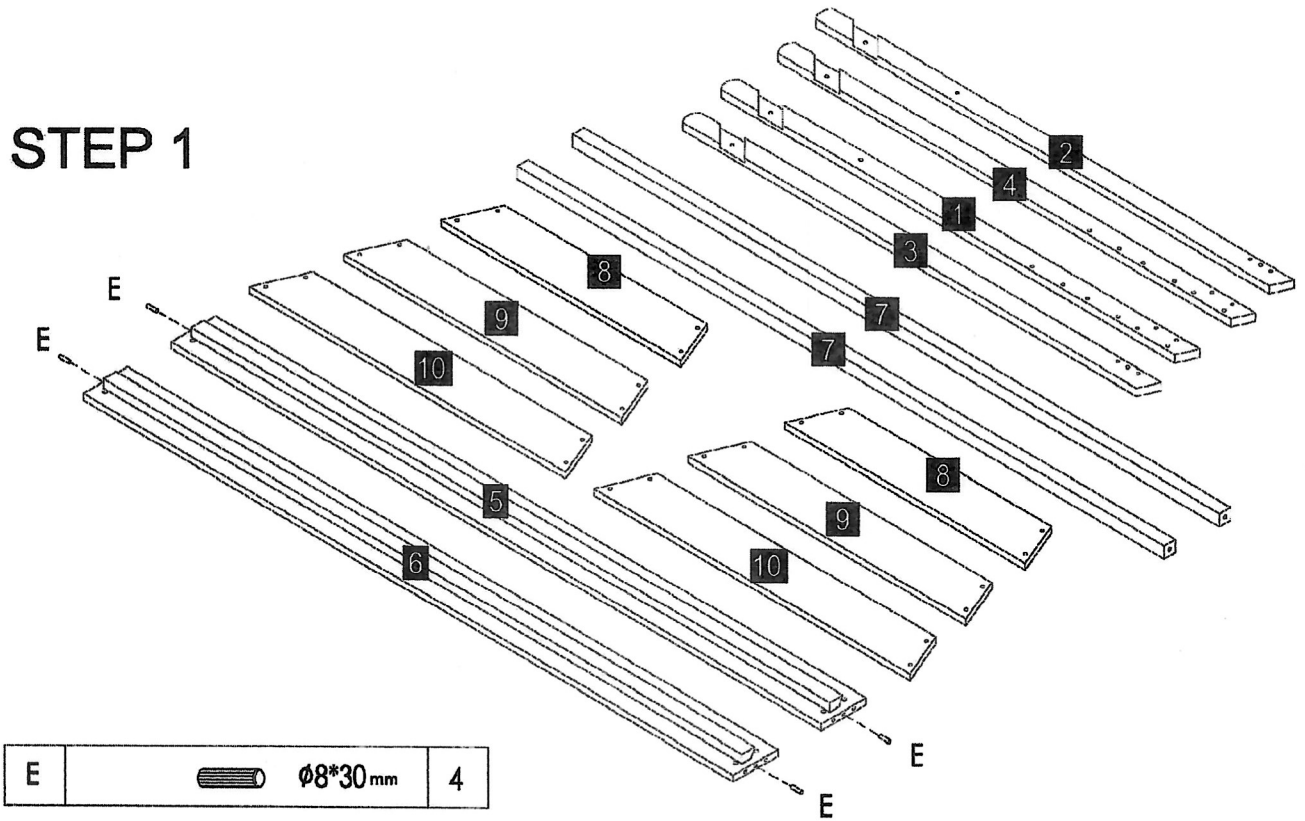
# Exeter Bed



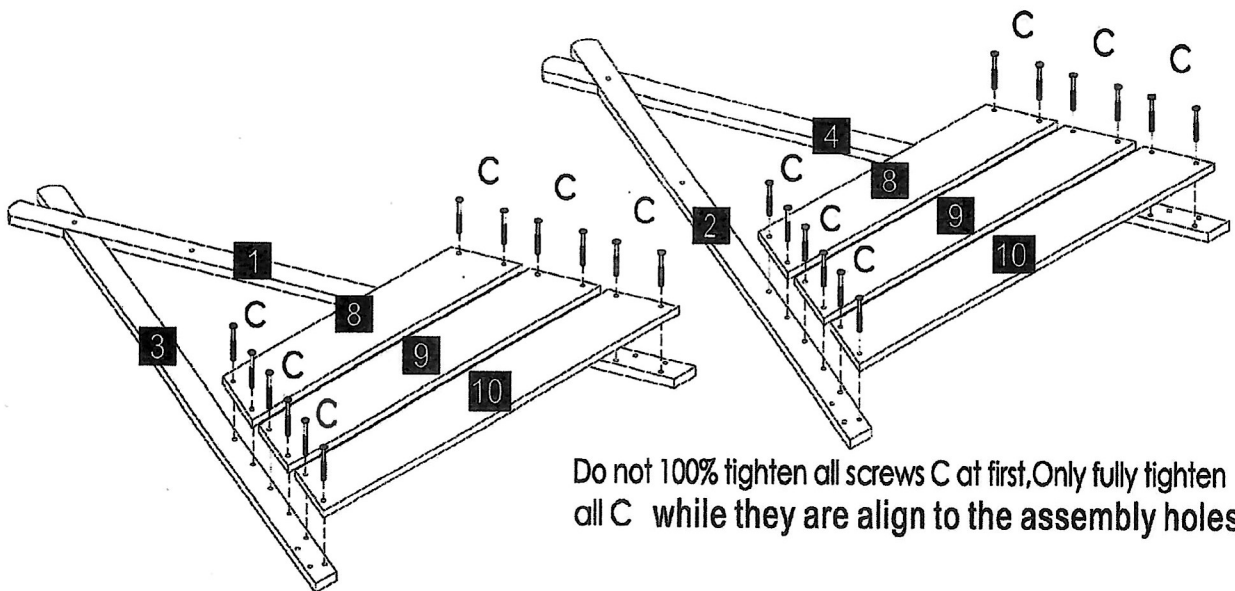


A		M6*70mm	8
B			8
C		M6*30mm	24
D			4
E		ø8*30mm	4
F		4*30mm	26
G		4mm	1


# STEP 1



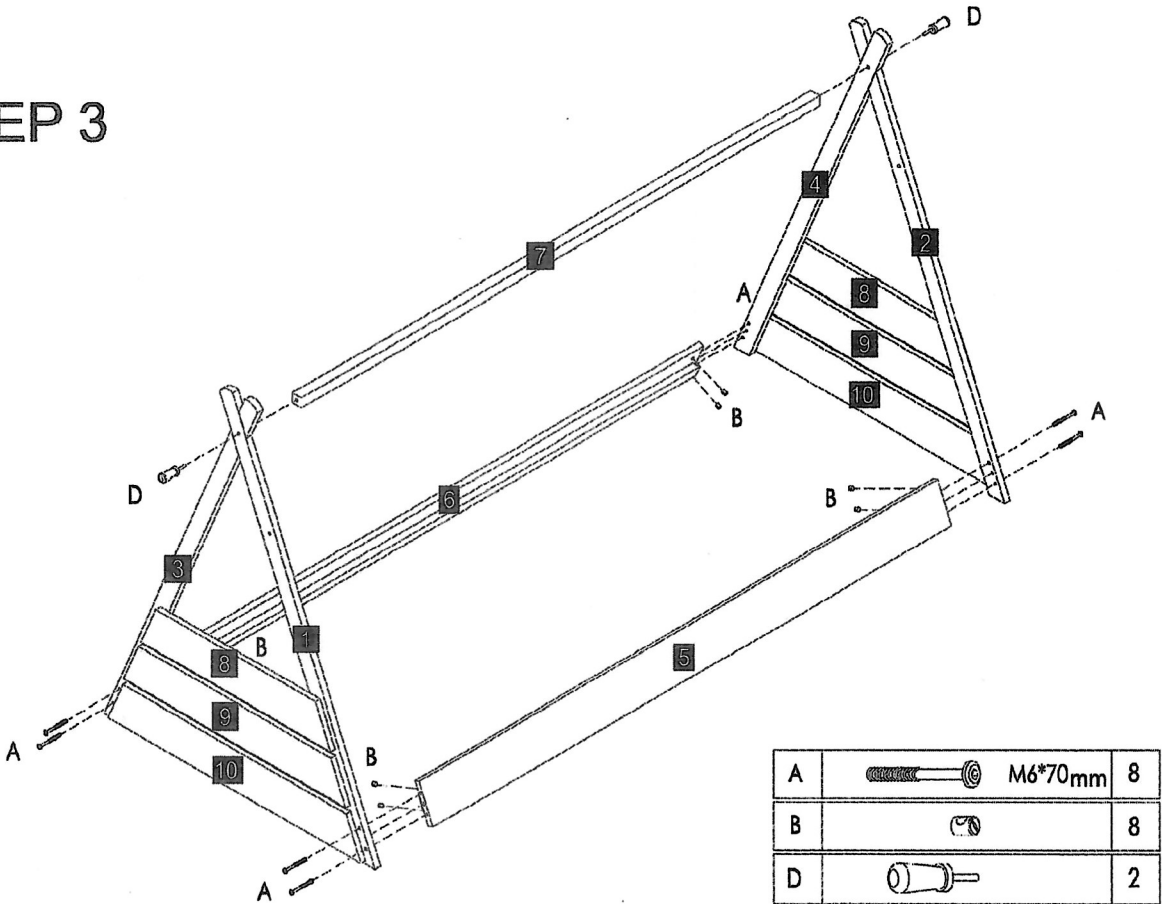
# STEP 2



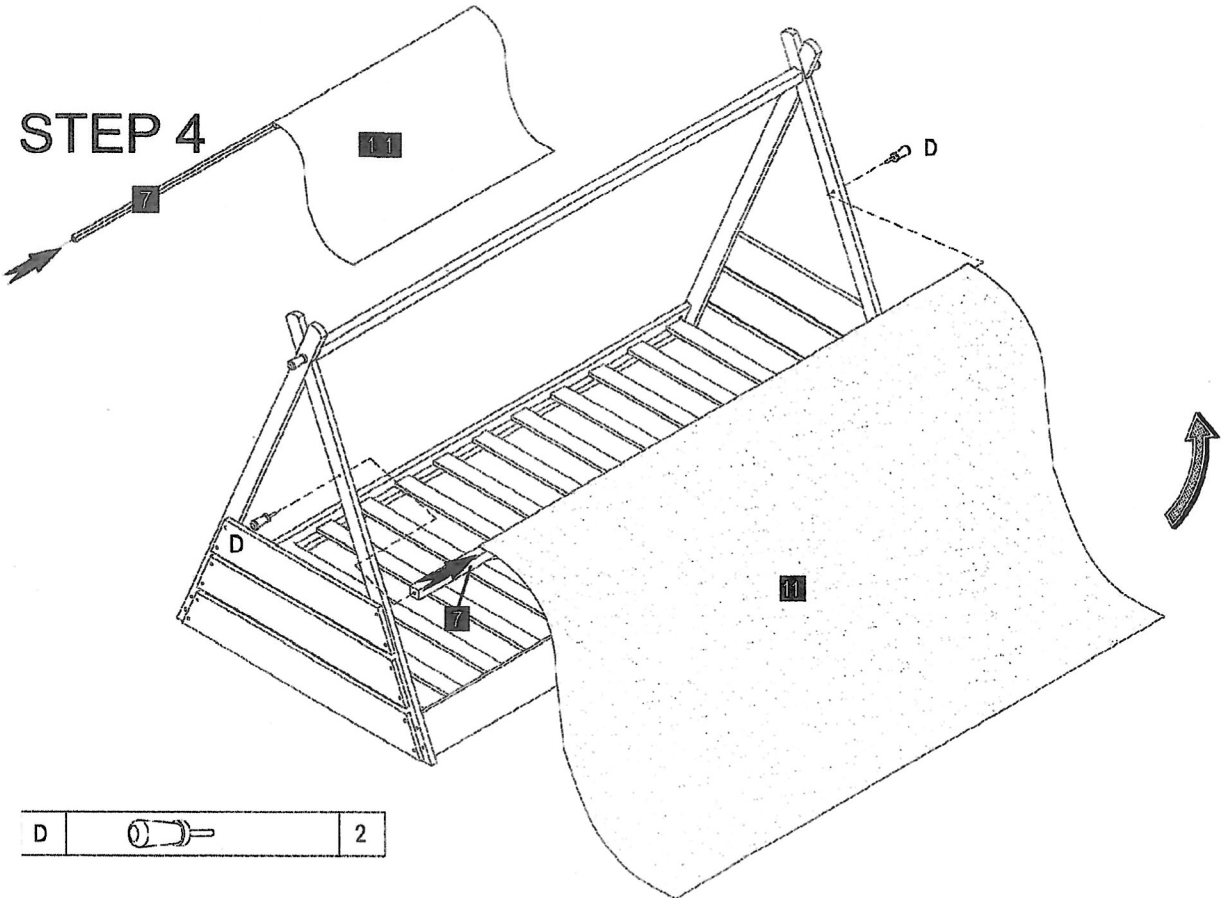
Do not 100% tighten all screws C at first, Only fully tighten all C while they are align to the assembly holes

C		M6*30mm	24
---	---	---------	----

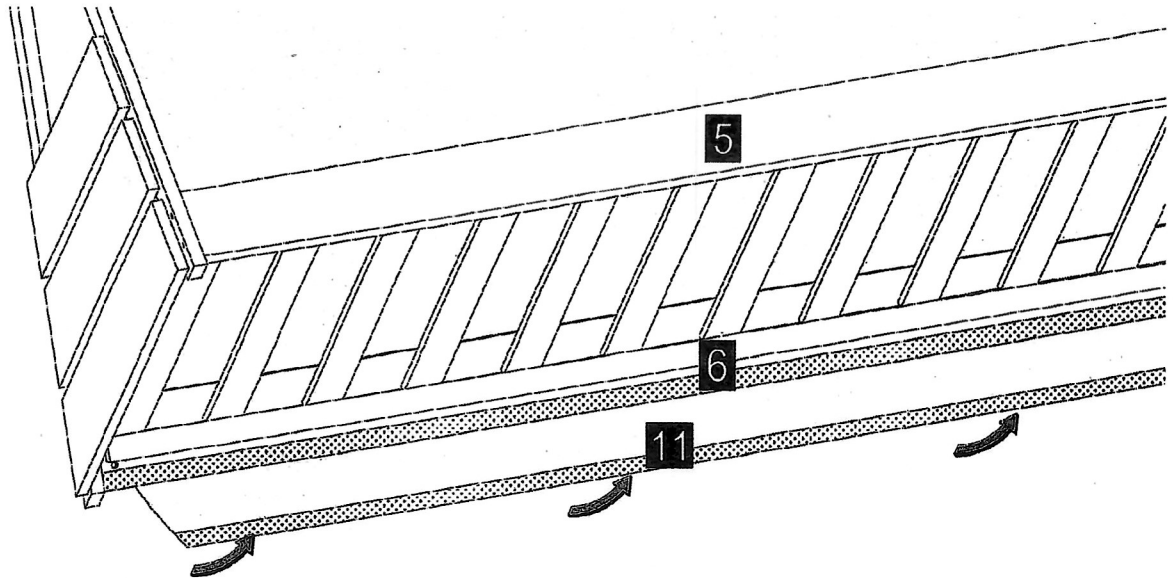
# STEP 3



# STEP 4



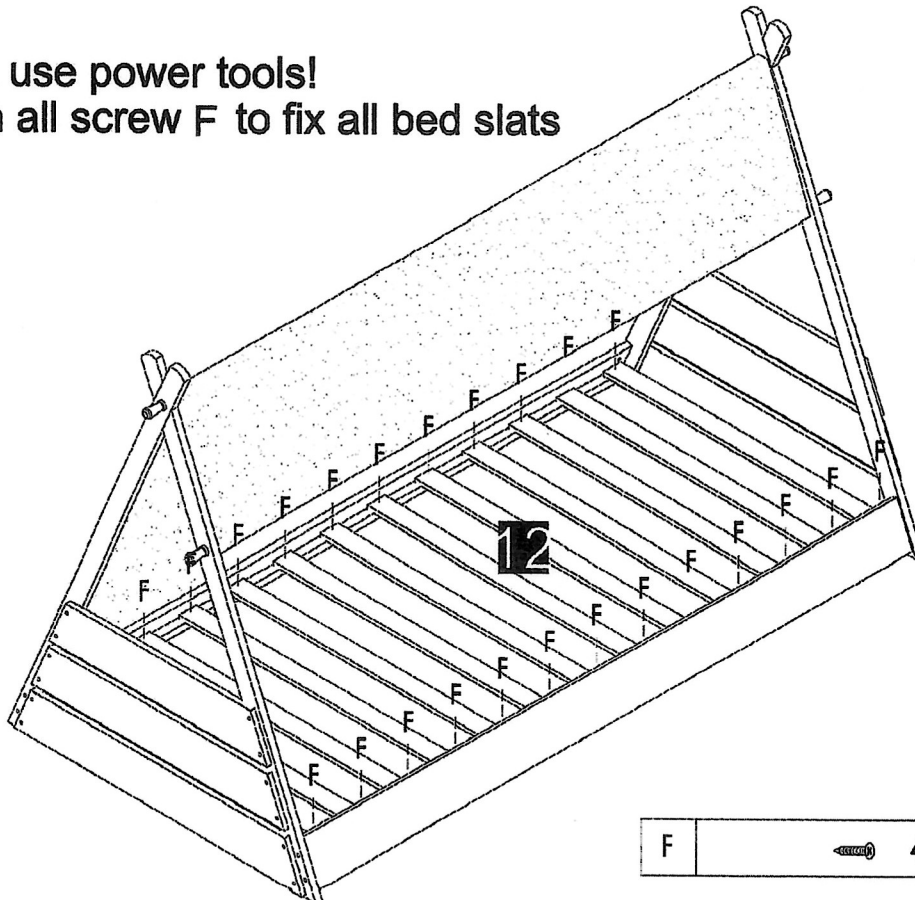
## STEP 5




Adhere the velcro attaching to part 6

## STEP 6

Note:  
Do Not use power tools!  
Tighten all screw F to fix all bed slats



F		4*30mm	26
---	---	--------	----