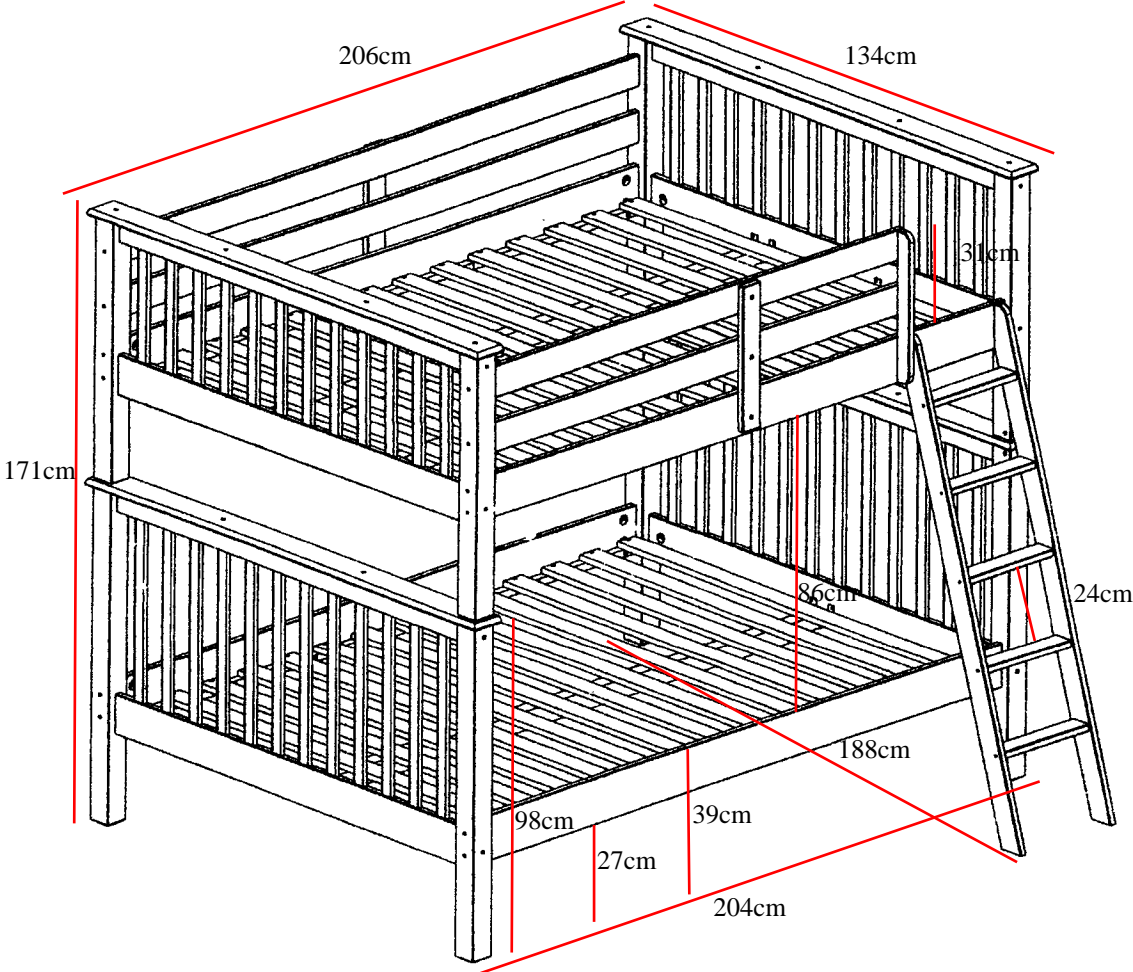
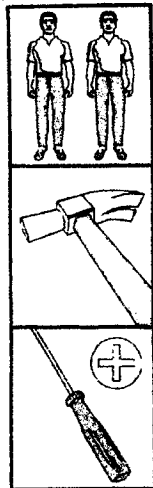
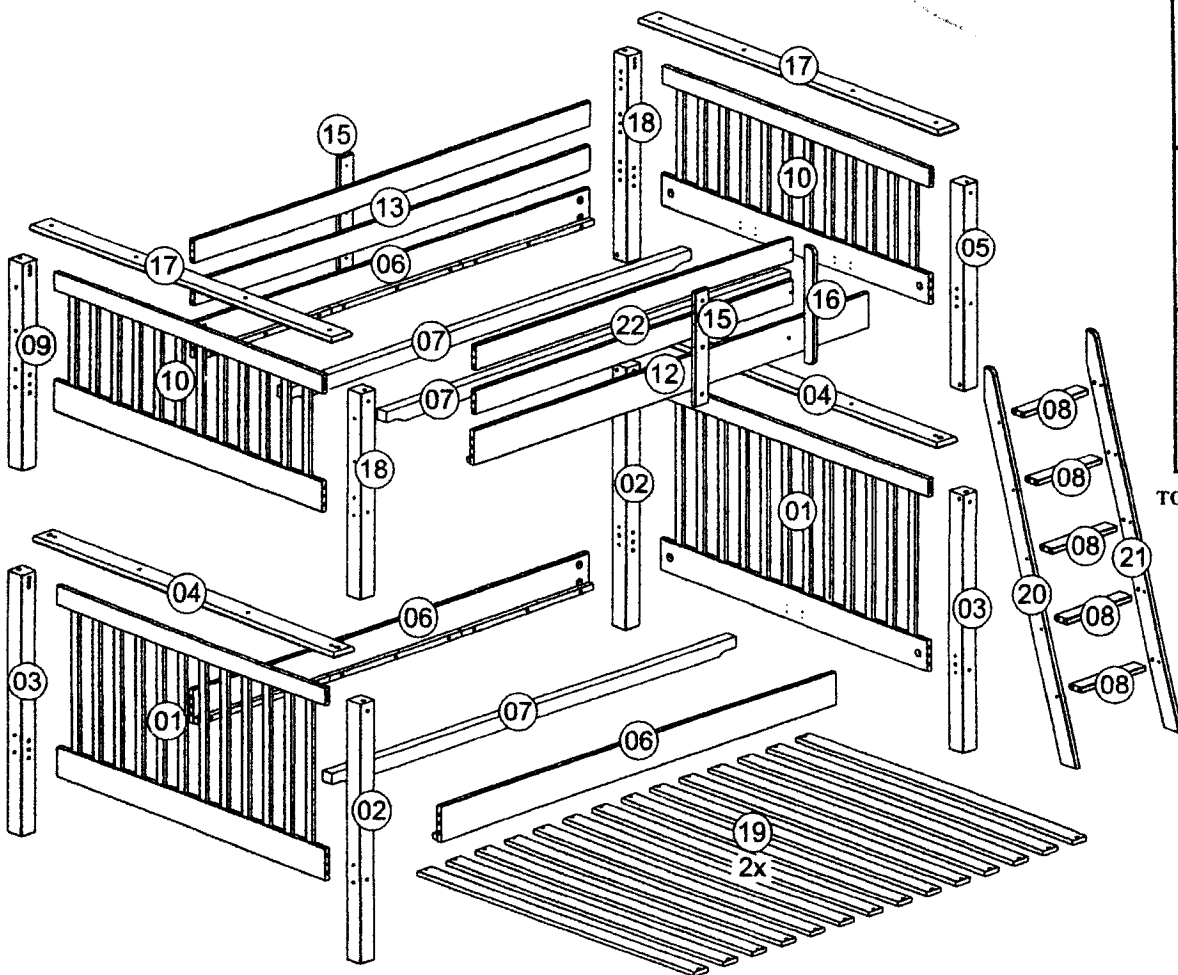


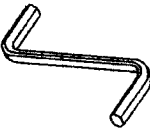
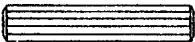

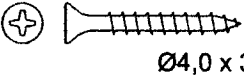


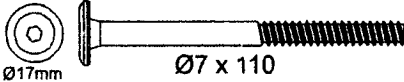
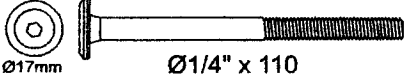
MALVERN BUNK BEDS FULL/FULL


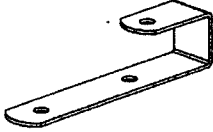
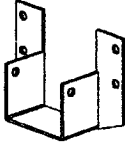

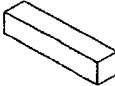




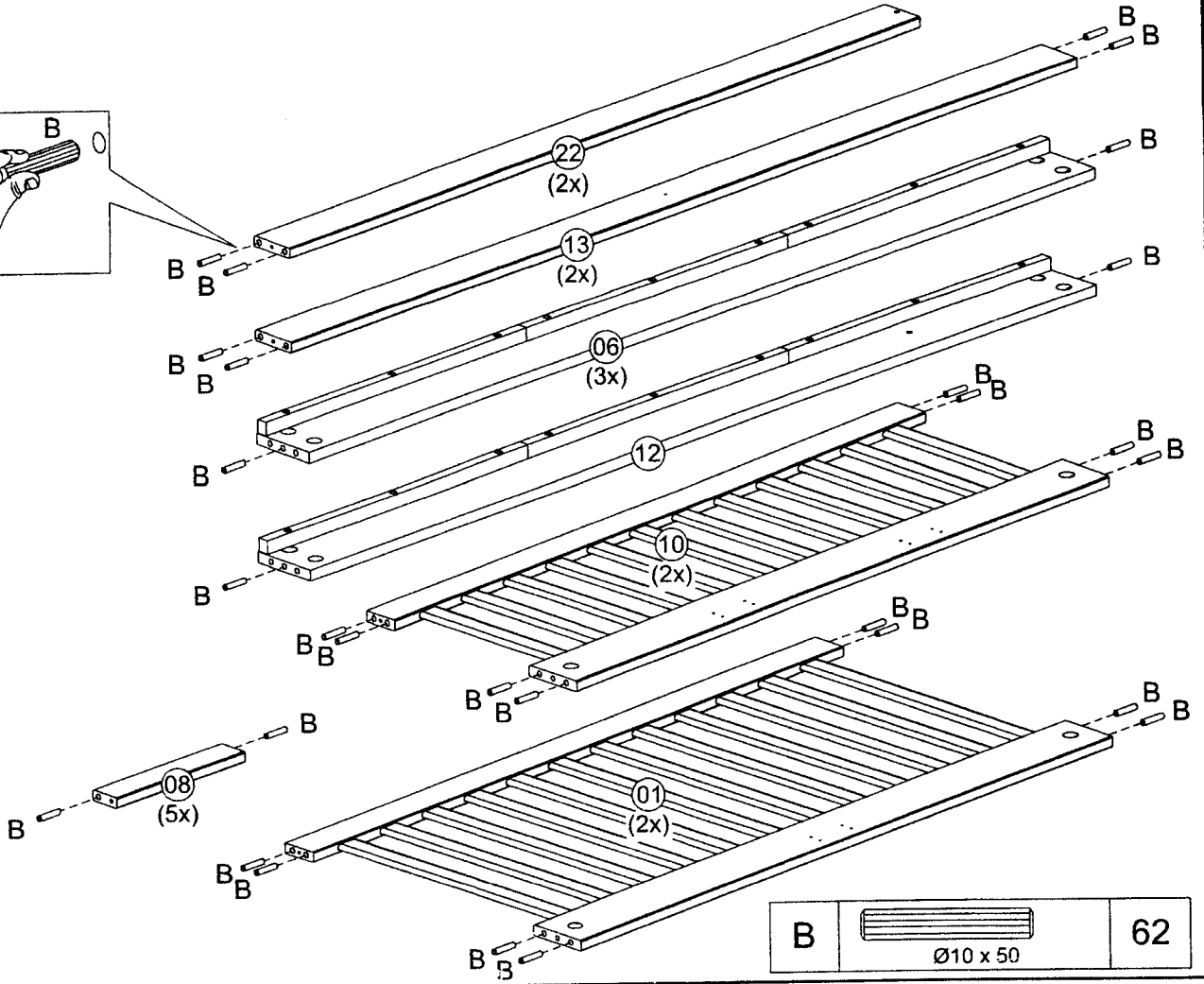
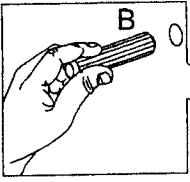
TOOLS REQUIRED

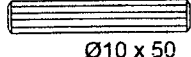


A		01
B	 Ø10 x 40	62
C	 Ø15 x 90	04
D	 Ø4,0 x 35	86
E	 Ø3,5 x 16	42
F	 Ø17mm Ø7 x 50	13
G	 Ø17mm Ø7 x 110	14
H	 Ø17mm Ø1/4" x 110	24

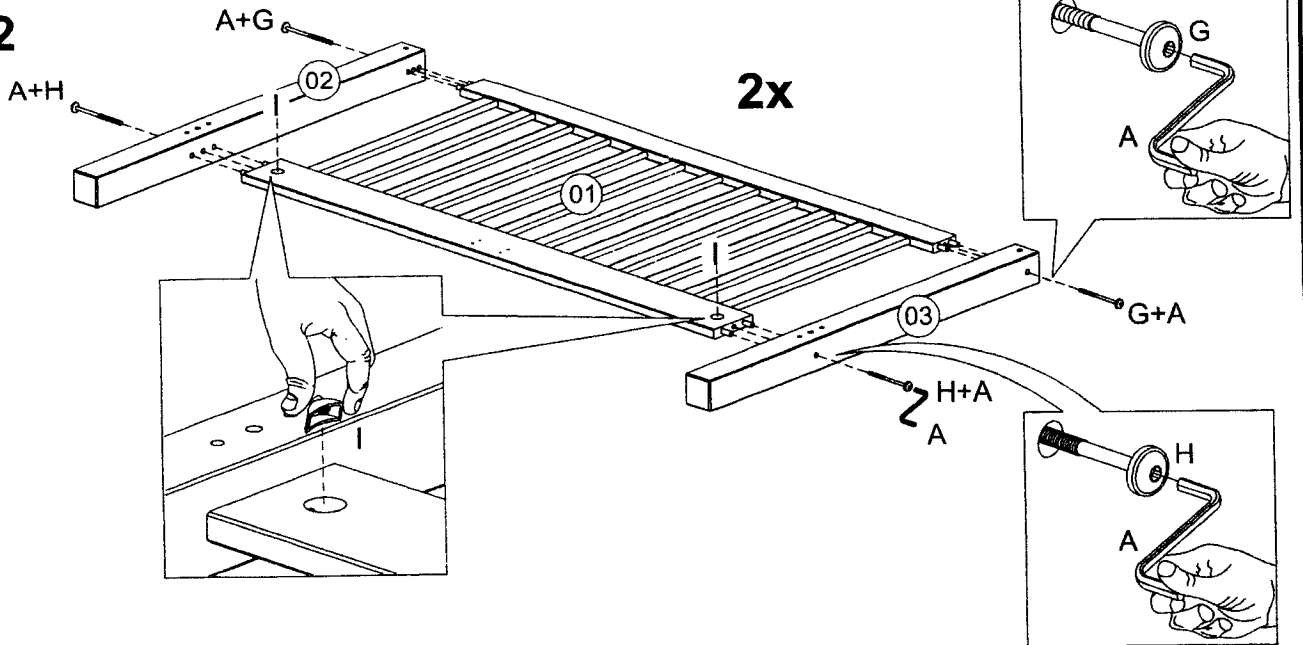
I		24
J		02
K		06
L	 Ø10mm	16
M	SPACER (WOODEN) 	02


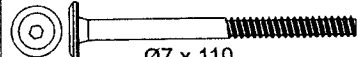
01

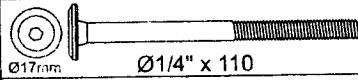



B		62
	Ø10 x 50	

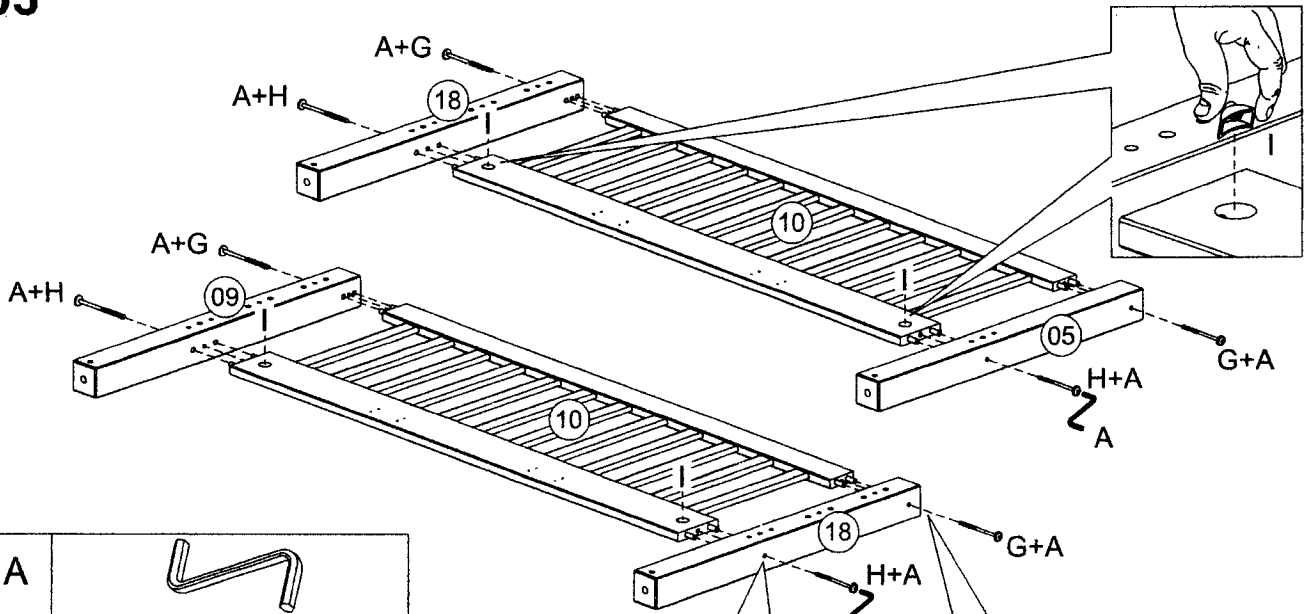
02



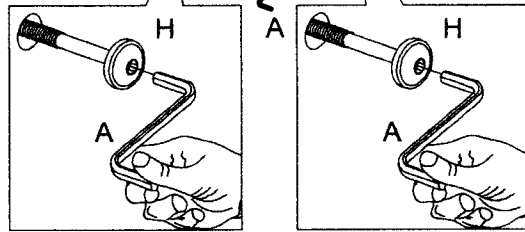
A		
G		04
	Ø17mm	Ø7 x 110

H		04
I		04
	Ø17mm	Ø1/4" x 110
		1/4"

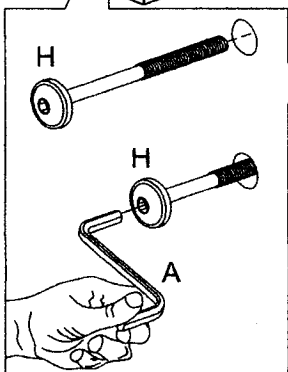
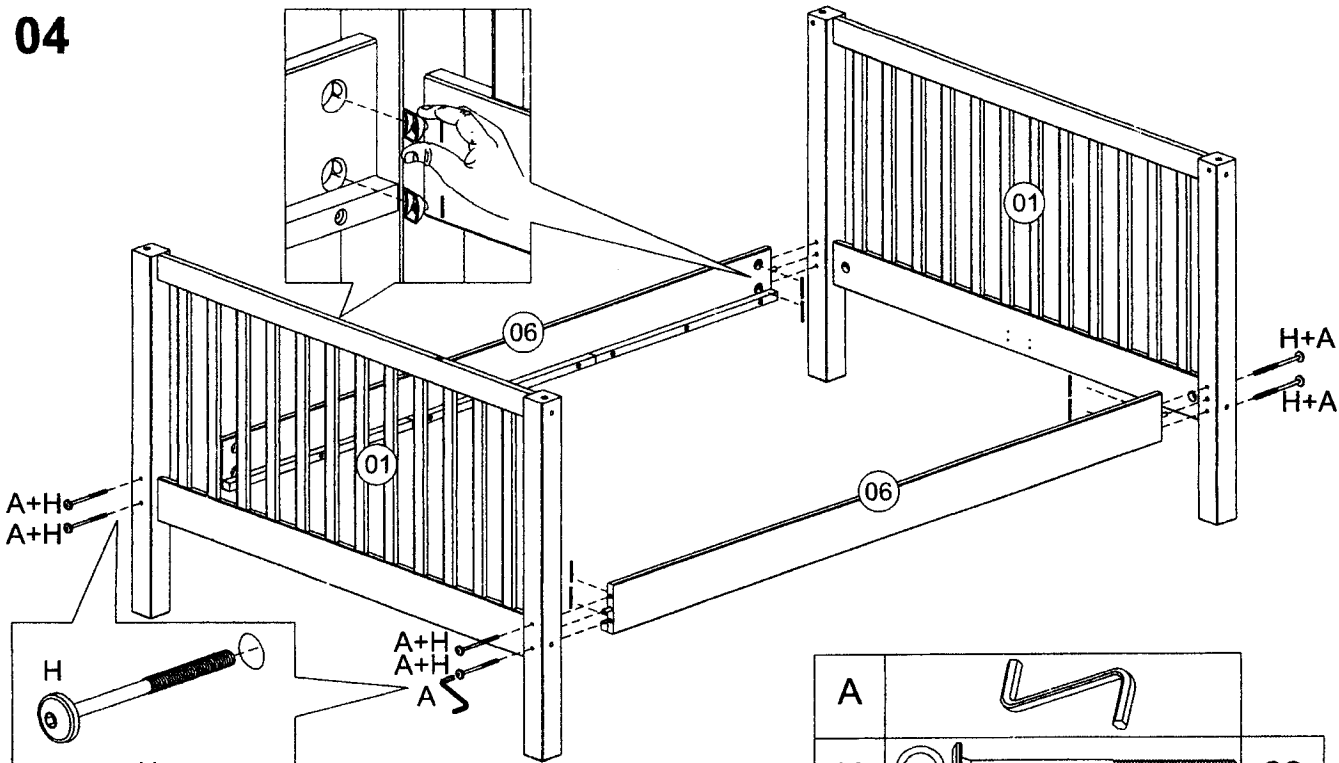
03



A		
G		04
H		04
I		04

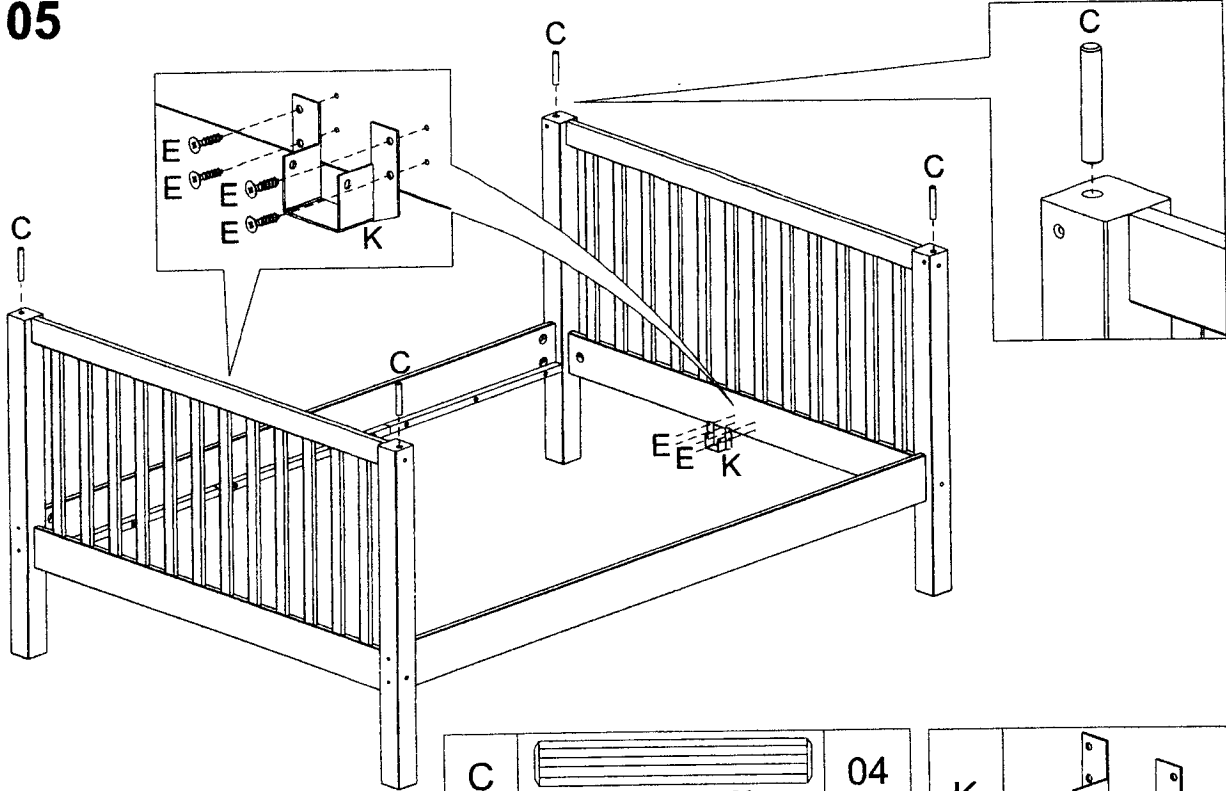




04

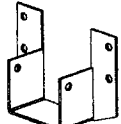


A		
H		08
I		08

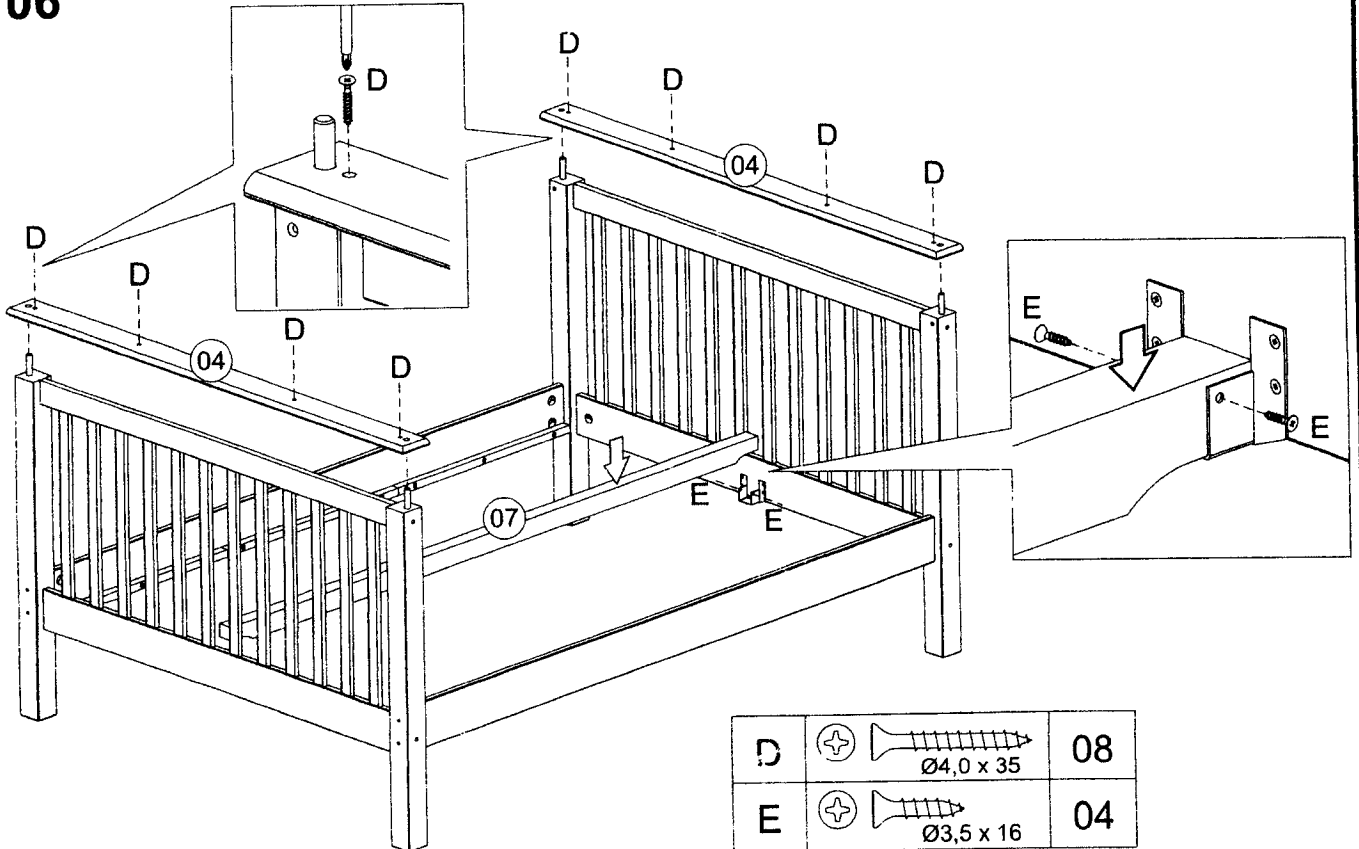
05

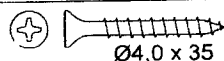



C		04
	Ø15 x 90	
E		08
	Ø3,5 x 16	

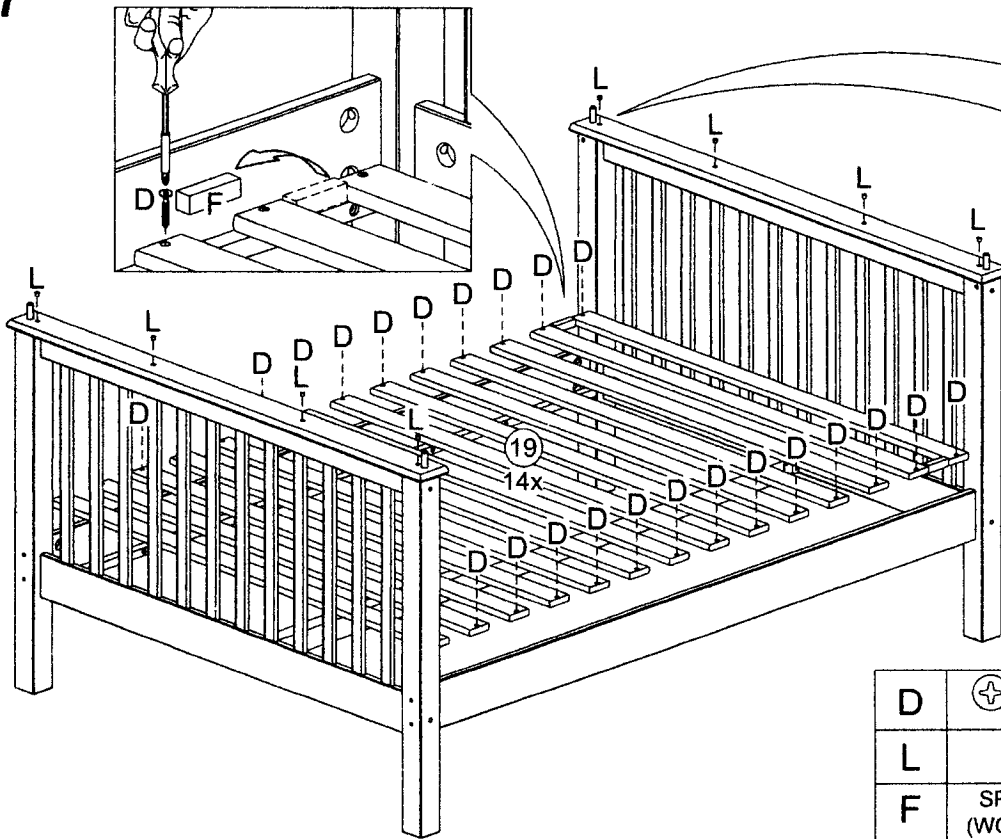
K		02
---	-------------------------------------------------------------------------------------	----



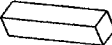
06



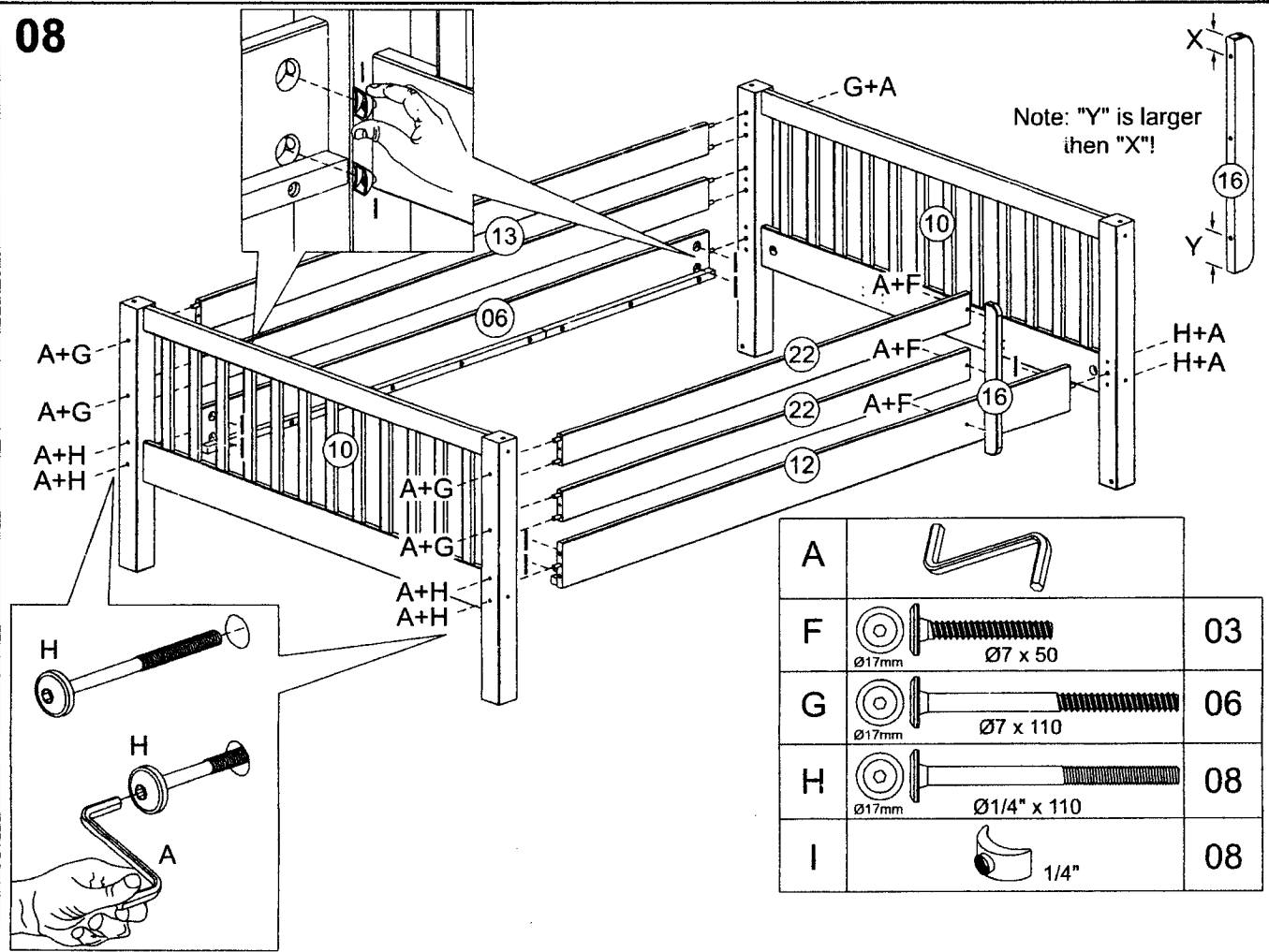
D		08
	Ø4,0 x 35	
E		04
	Ø3,5 x 16	






07



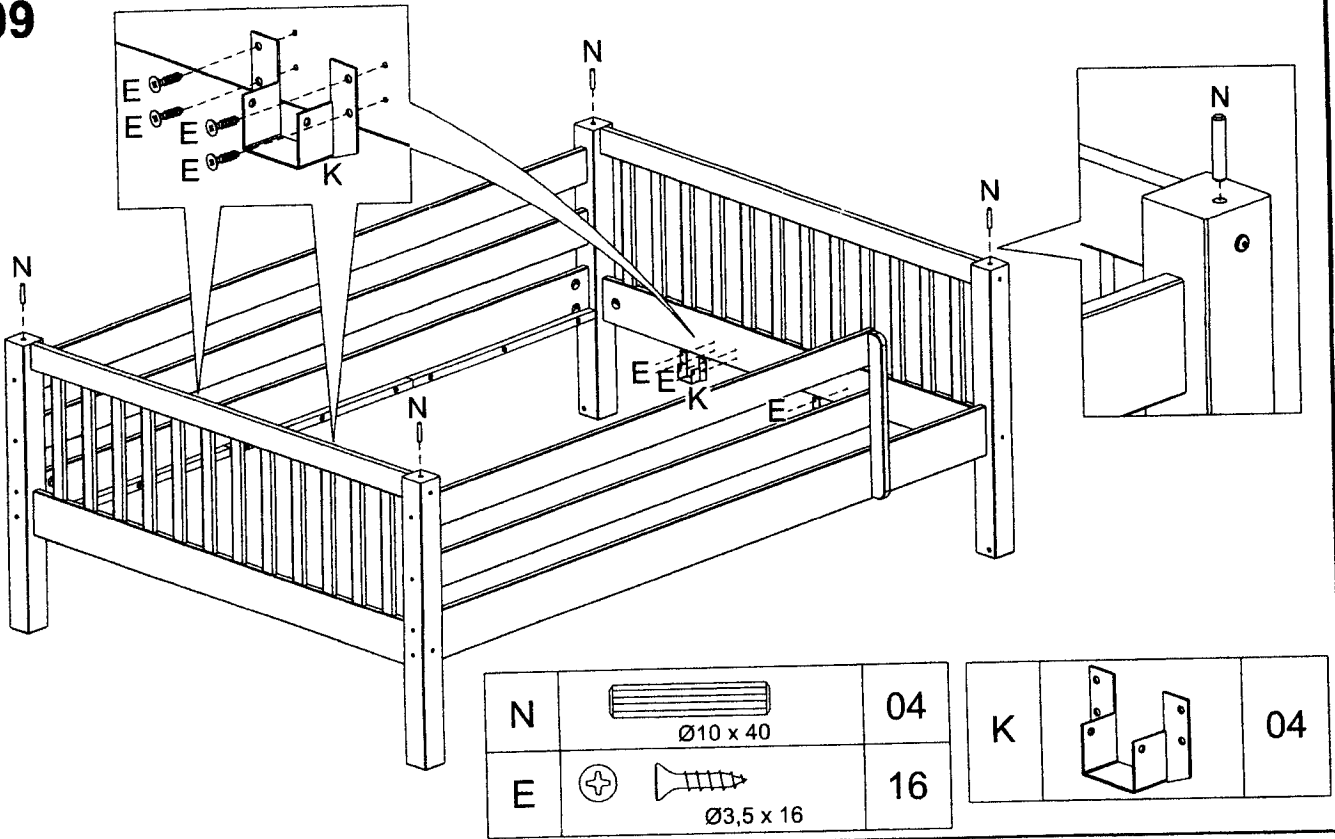
D	 $\text{Ø}4.0 \times 35$	28
L	 $\text{Ø}10\text{mm}$	08
F	SPACER (WOODEN) 	02

08

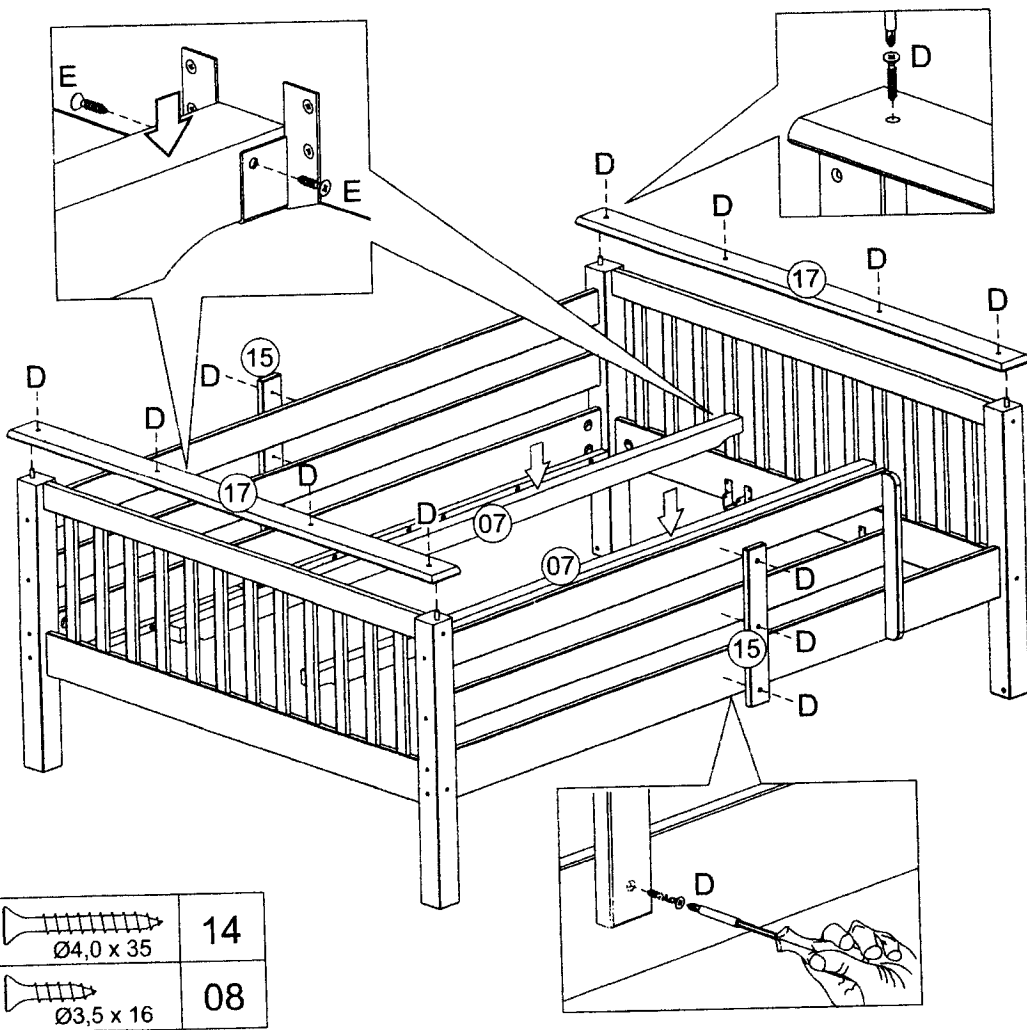


A		
F	 $\text{Ø}17\text{mm}$ $\text{Ø}7 \times 50$	03
G	 $\text{Ø}17\text{mm}$ $\text{Ø}7 \times 110$	06
H	 $\text{Ø}17\text{mm}$ $\text{Ø}1/4" \times 110$	08
I	 $1/4"$	08

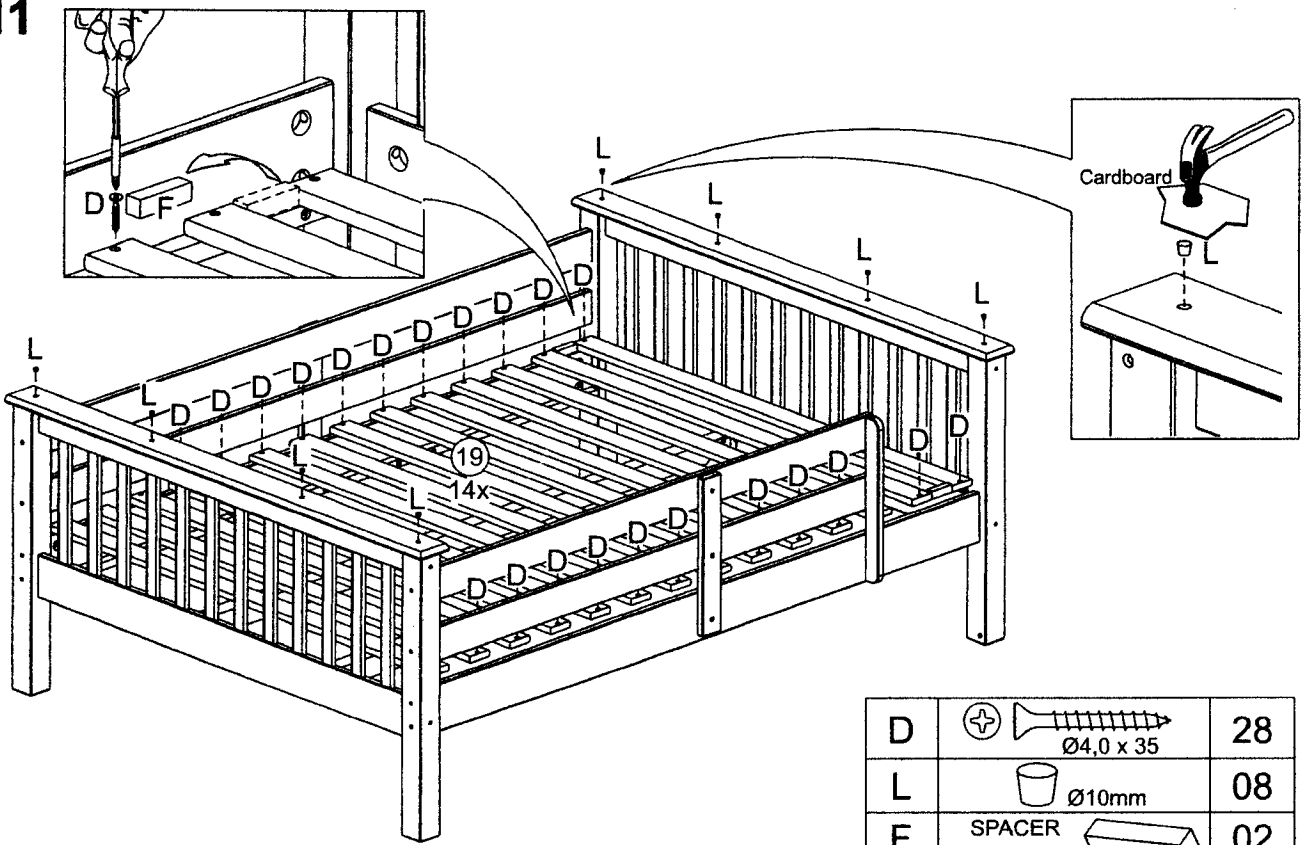
09



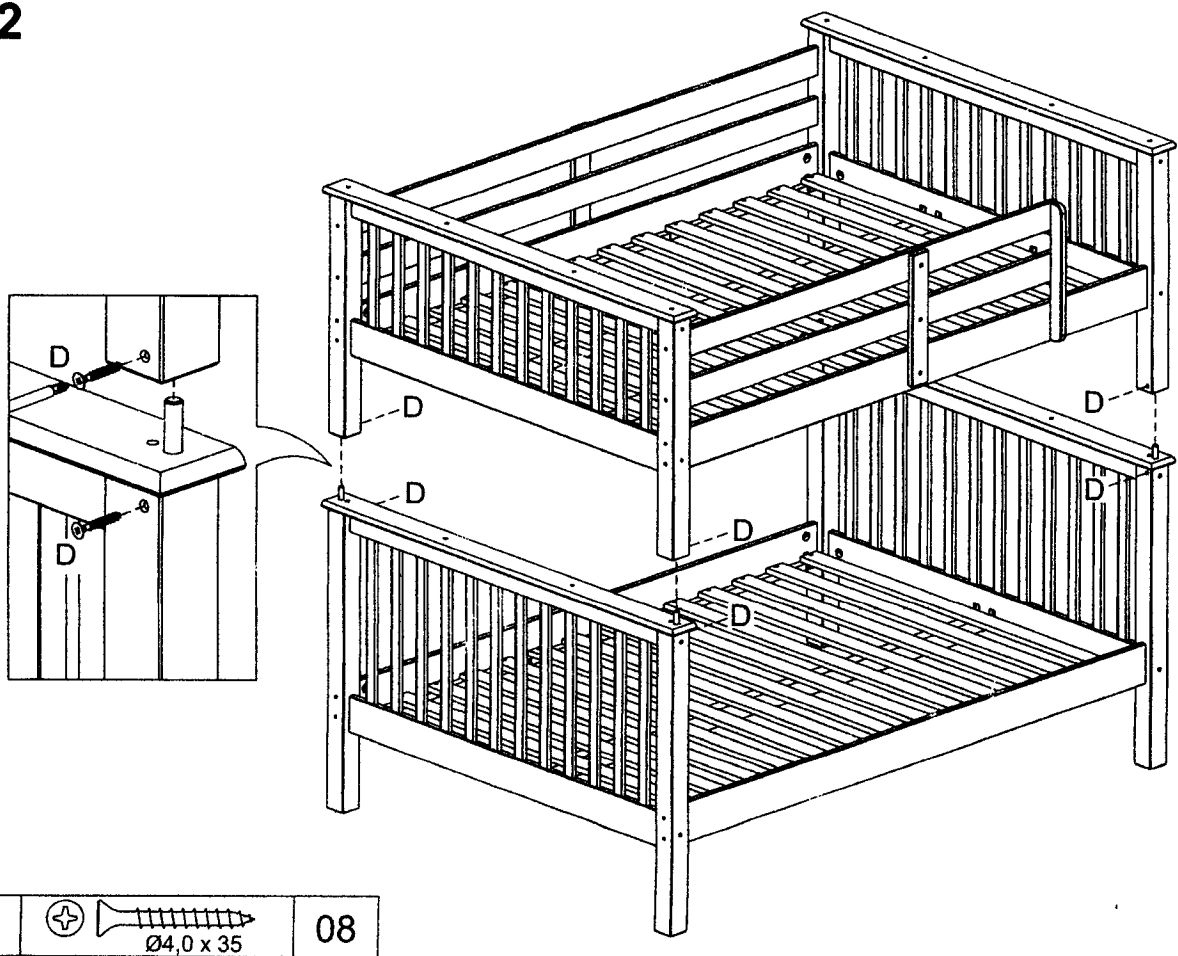
10



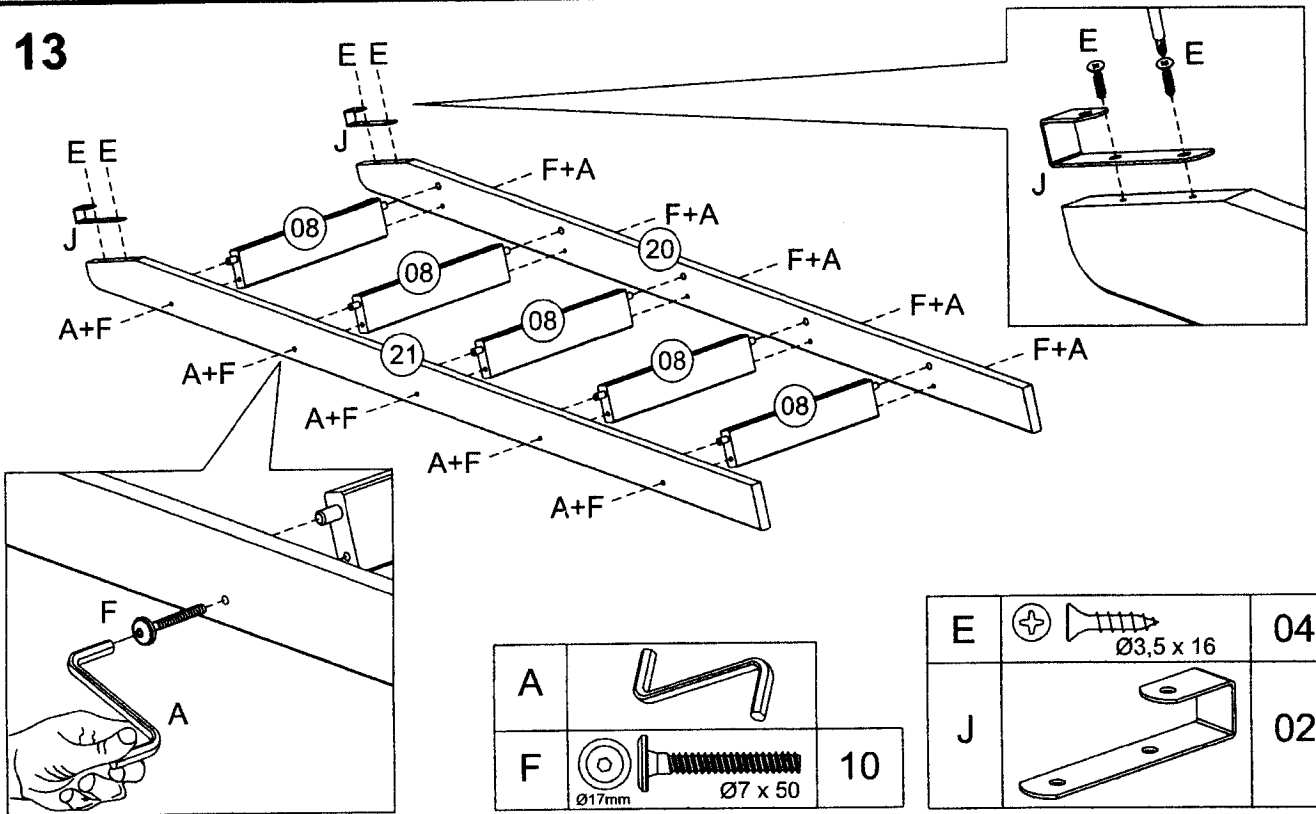
11



12



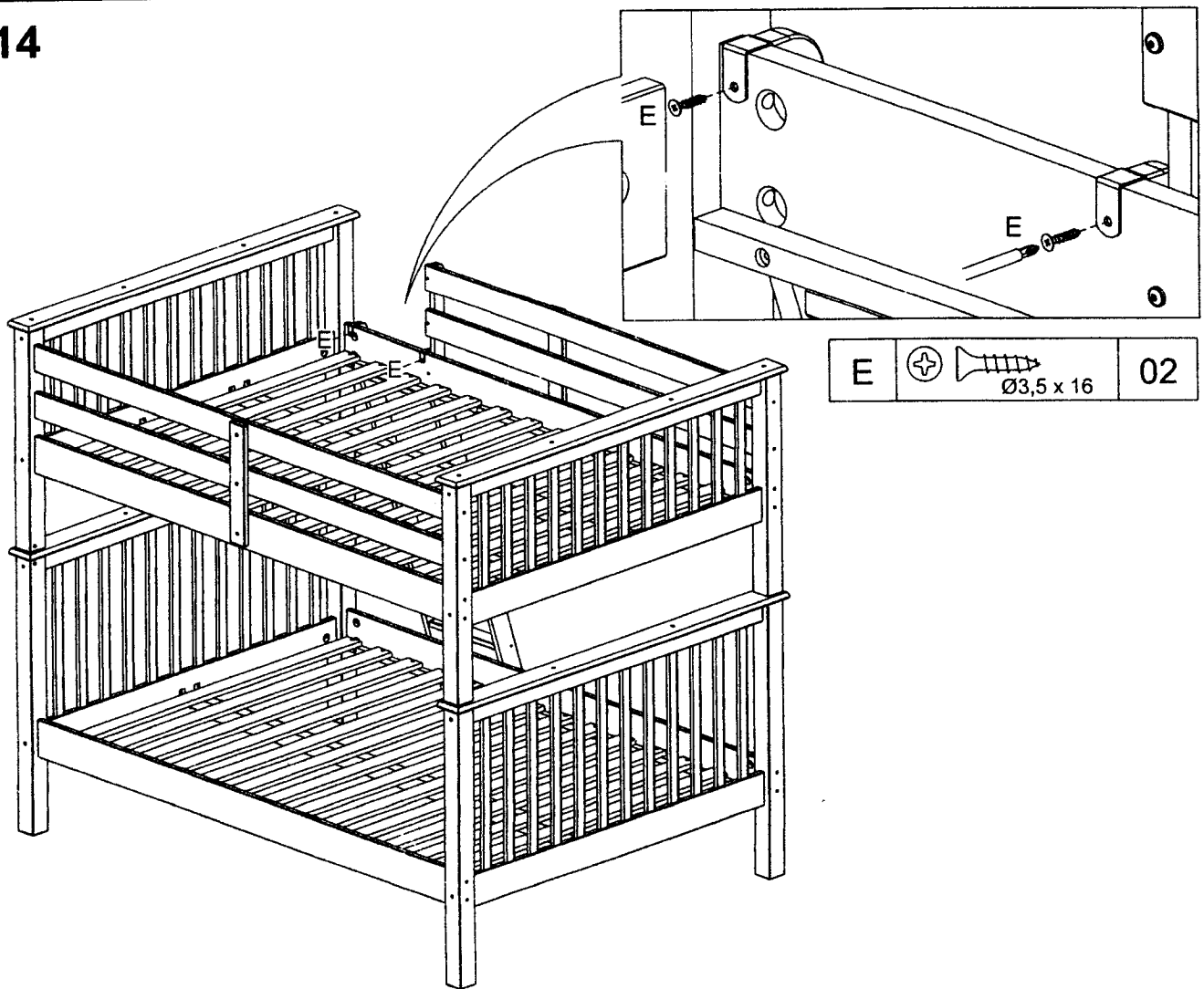
13



A		
F		10

E		04
J		02

14



E		02
---	--	----