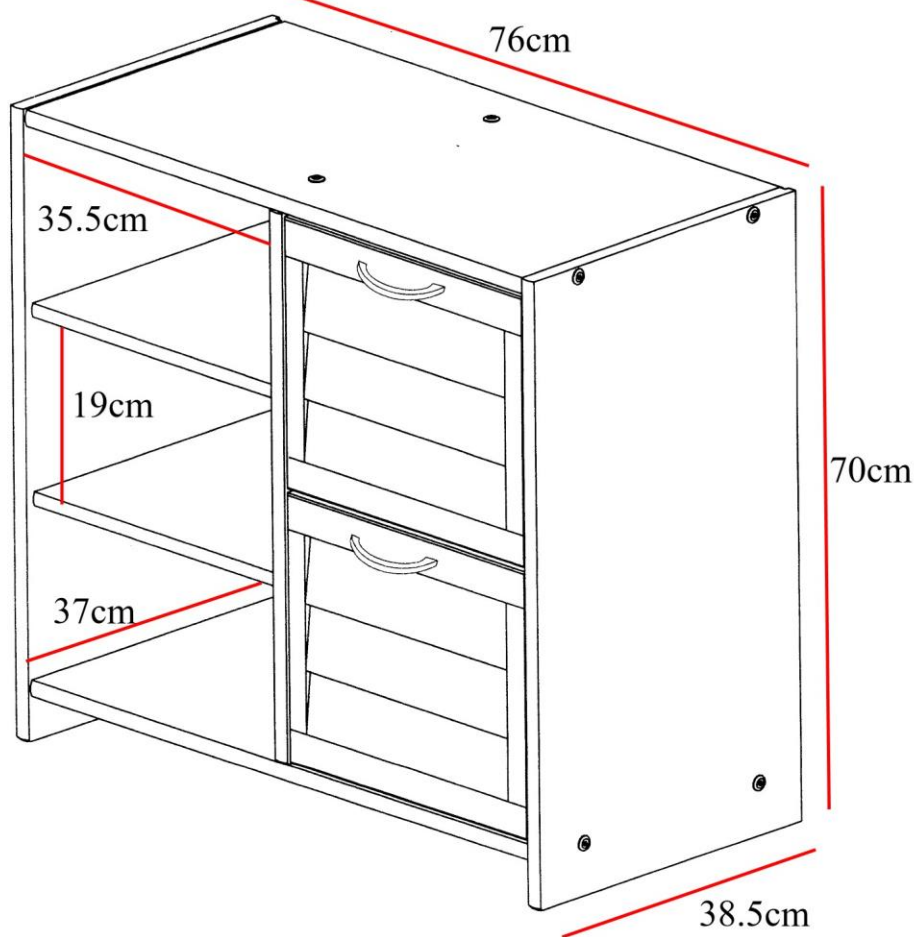


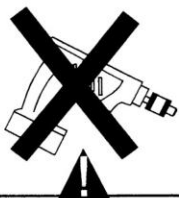
RIGHT STAIR



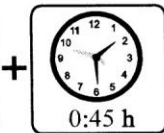
Thank you for purchasing this quality product. Be sure to check all packing material carefully for small parts which may have come loose inside the carton during shipment. Separate, identify and count all parts and hardware.

Compare with the parts list to be sure all parts are present.

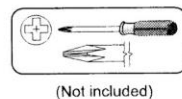
"DO NOT TIGHTEN SCREWS UNTIL COMPLETELY ASSEMBLED"



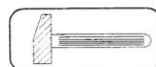
* Use of power tool to assemble this product will invalidate any claim and damage this product making unsafe !!!
* Please assemble on a clean soft surface to avoid damage.



Tools Required



(Not included)



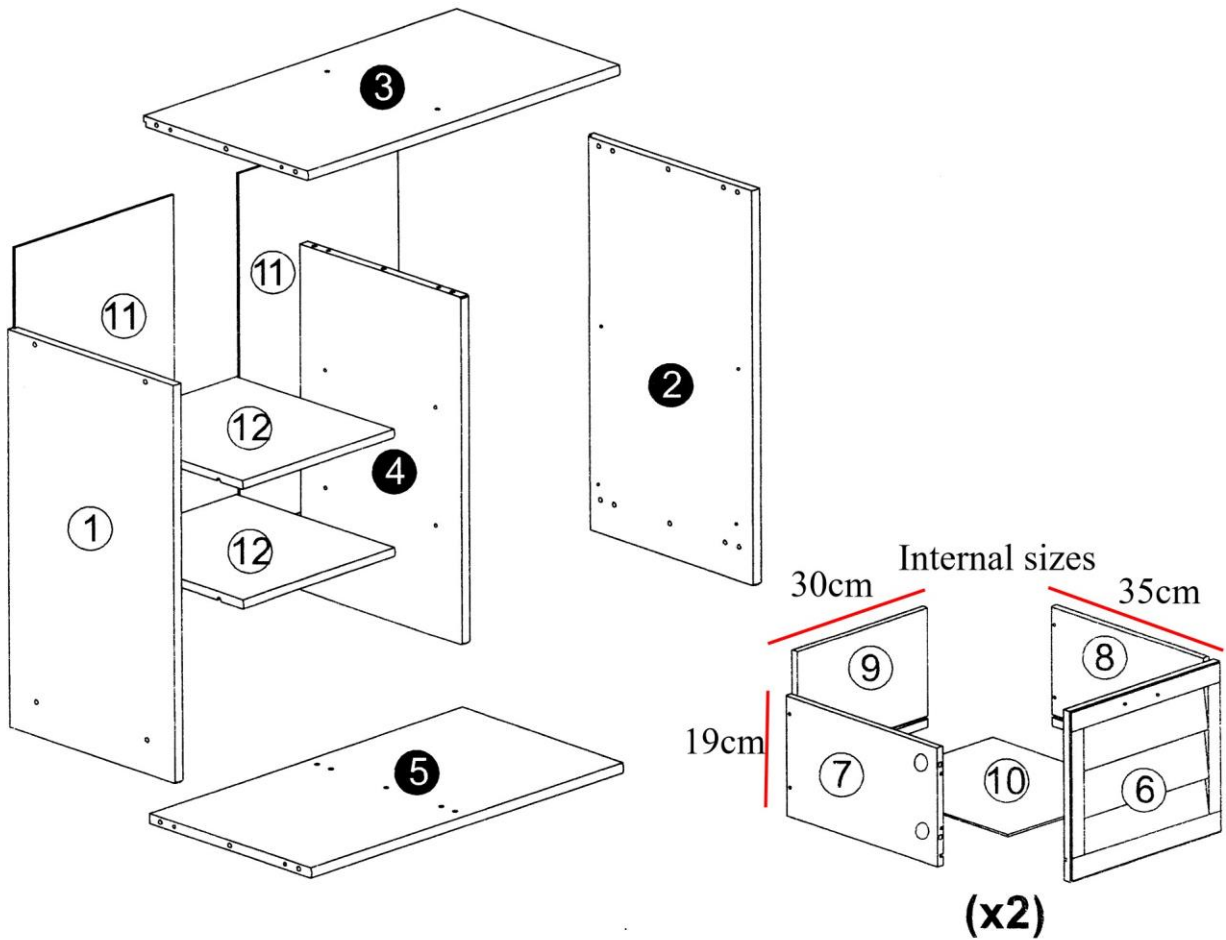
(Not included)





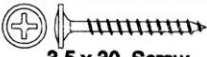
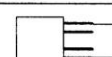






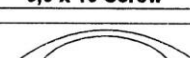

IMPORTANT:

PLEASE READ INSTRUCTION BEFORE STARTING THE ASSEMBLY

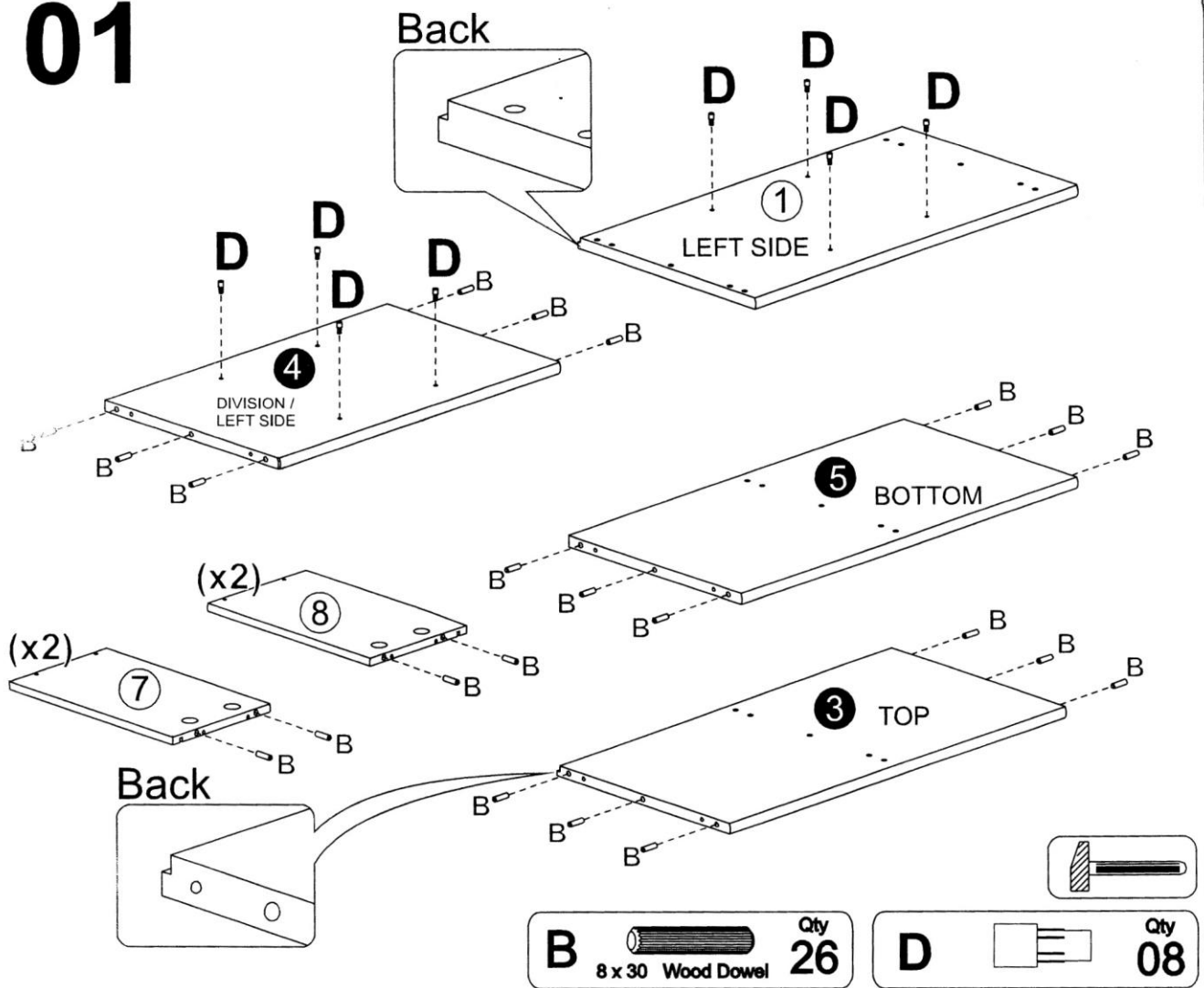
Part List - 790 2 DRAWERS CHEST LOUVER



Identifying the Hardware - Identify the hardware using the illustrations below

A  Qty 12	B  Qty 26	C  Qty 16
D  Qty 08	E  Qty 23	F  Qty 01
G  Qty 05	H  Qty 16	i  Qty 02
J  Qty 02	K  Qty 02	L  Qty 04

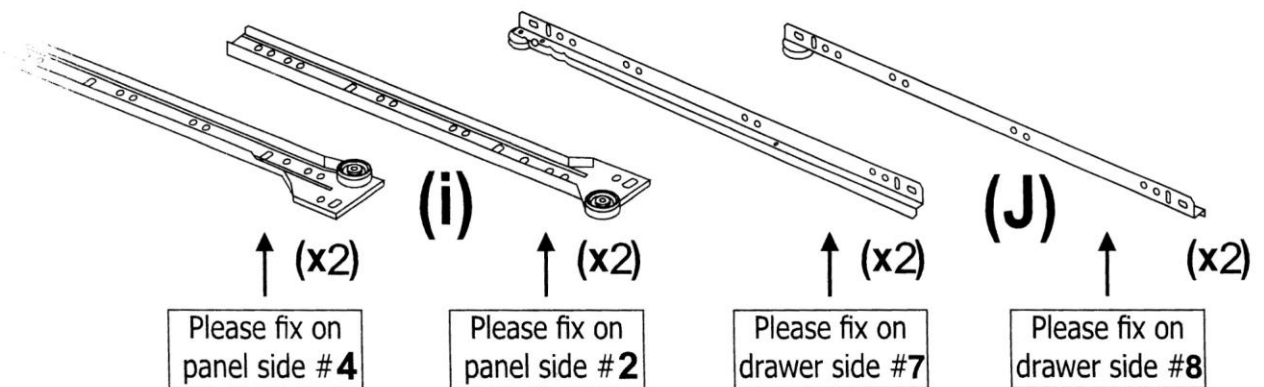
01



SET OF METAL SLIDES FOR THE DRAWERS

The metal glides hardware are all in one packed. Please separate the left and right pieces like a pair.

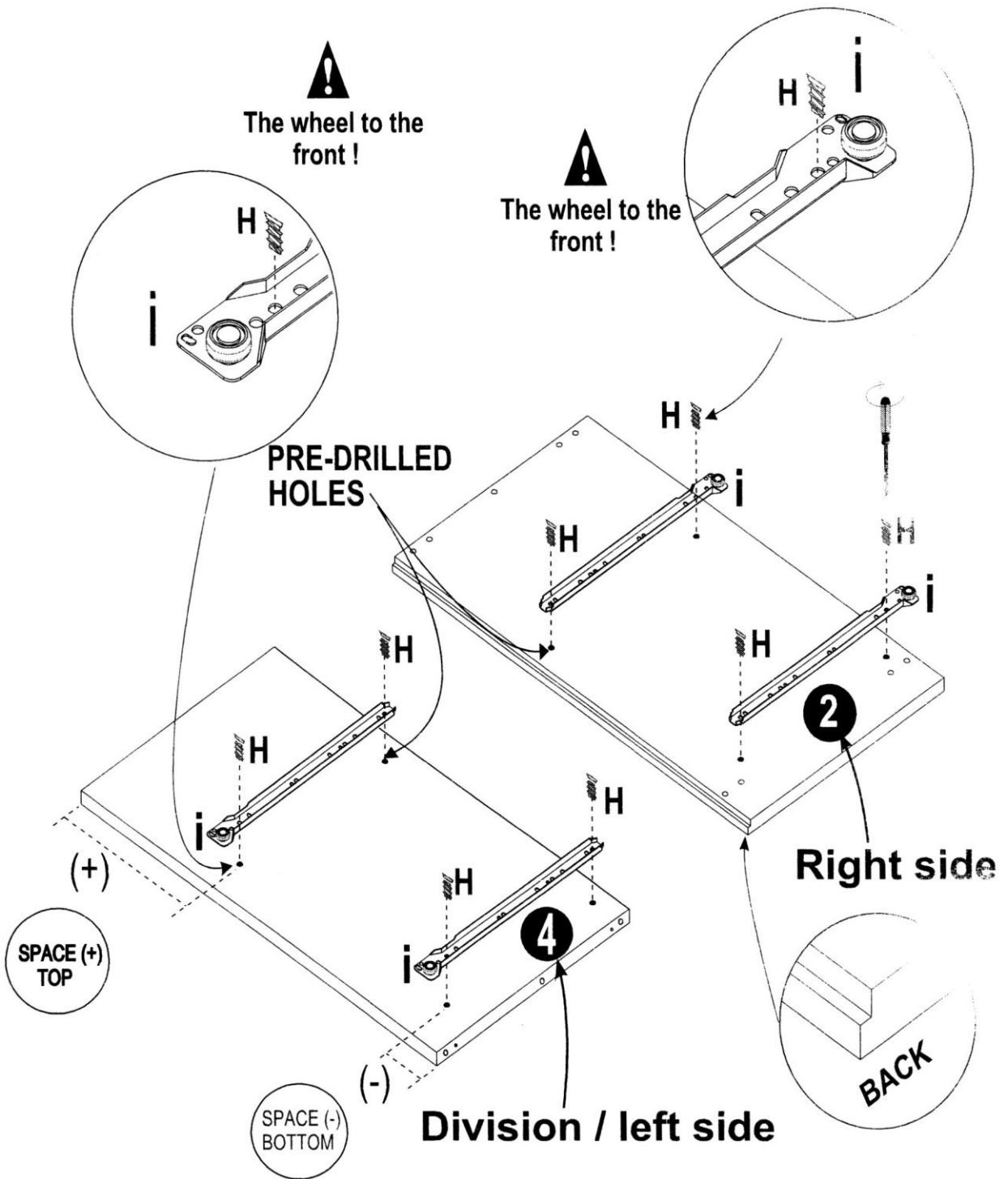
- The glides # **i** are used on chest panel side and has a left and right pieces.
- The glides # **J** are used on drawers side, also has a left and right pieces.

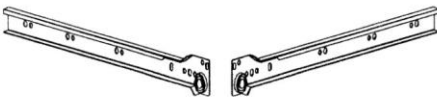


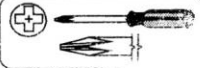

02


The wheel to the front!

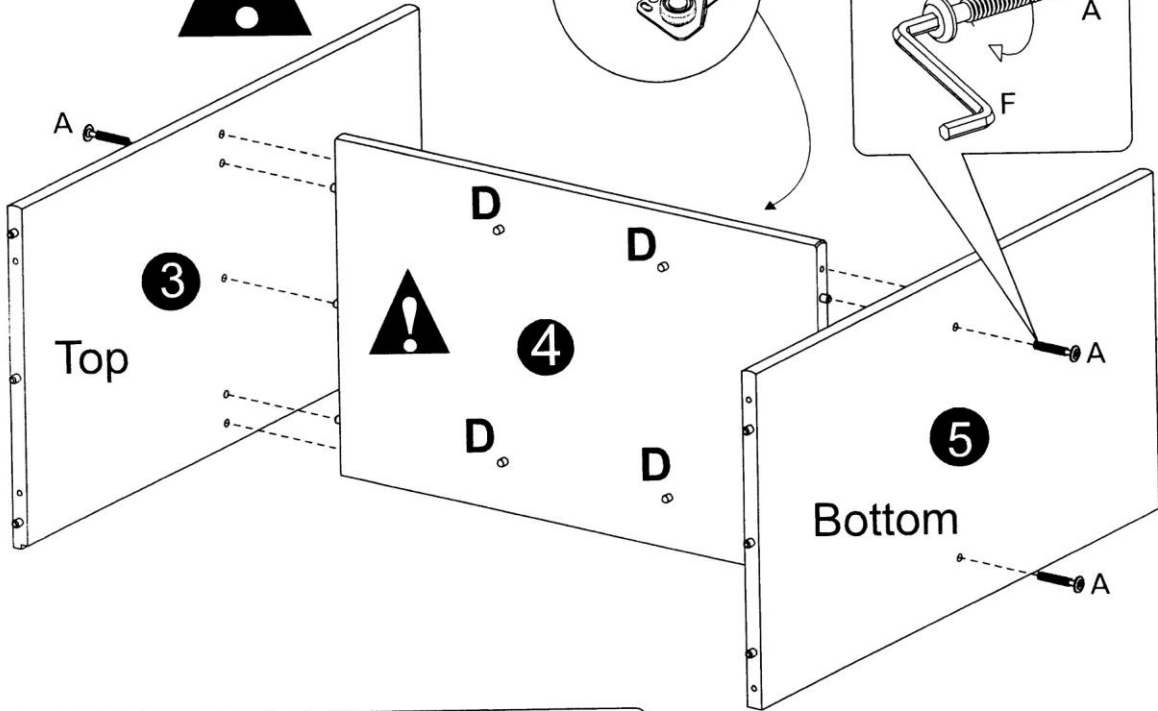

The wheel to the front!




i		Qty
		02
Drawer Runner 350mm		



H 6,0 x 10 Screw


03

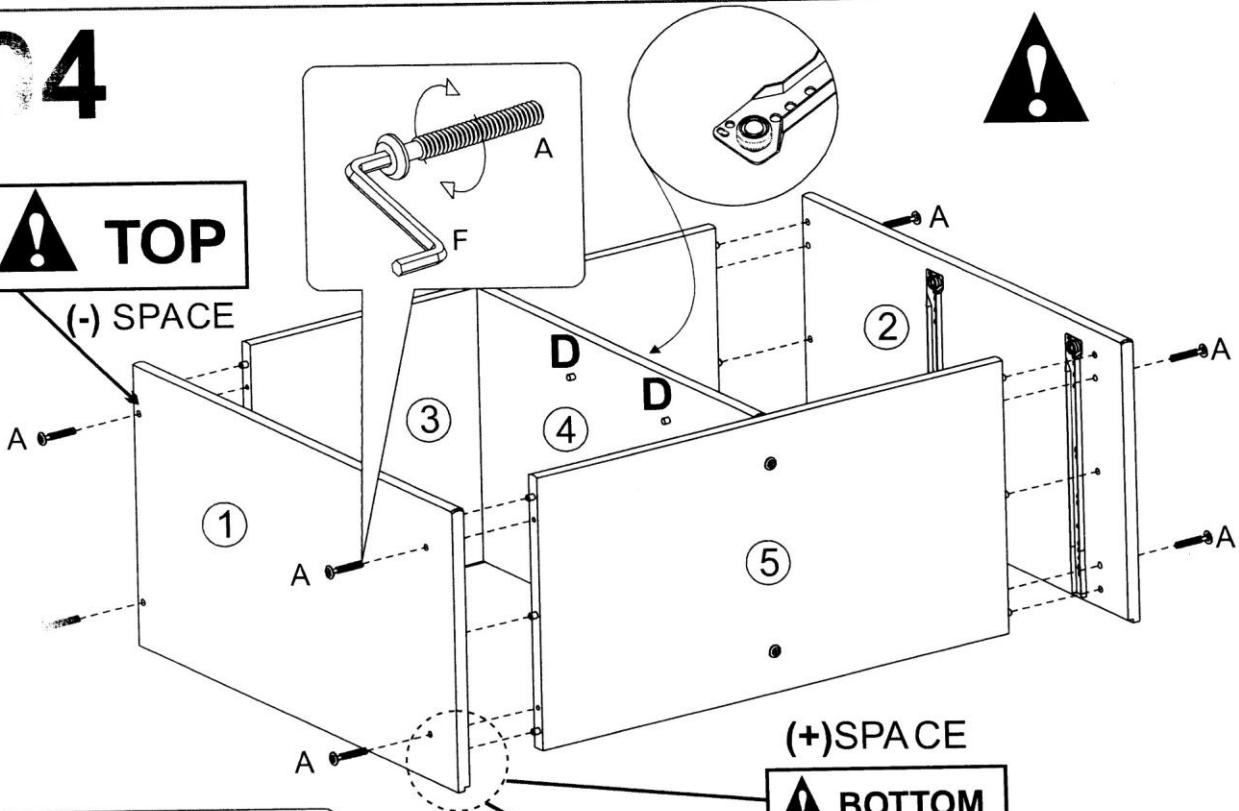



A  Qty 04
7,0 x 50 Screw

F  Qty 01
Hex Screwdriver

04

 **TOP**
(-) SPACE



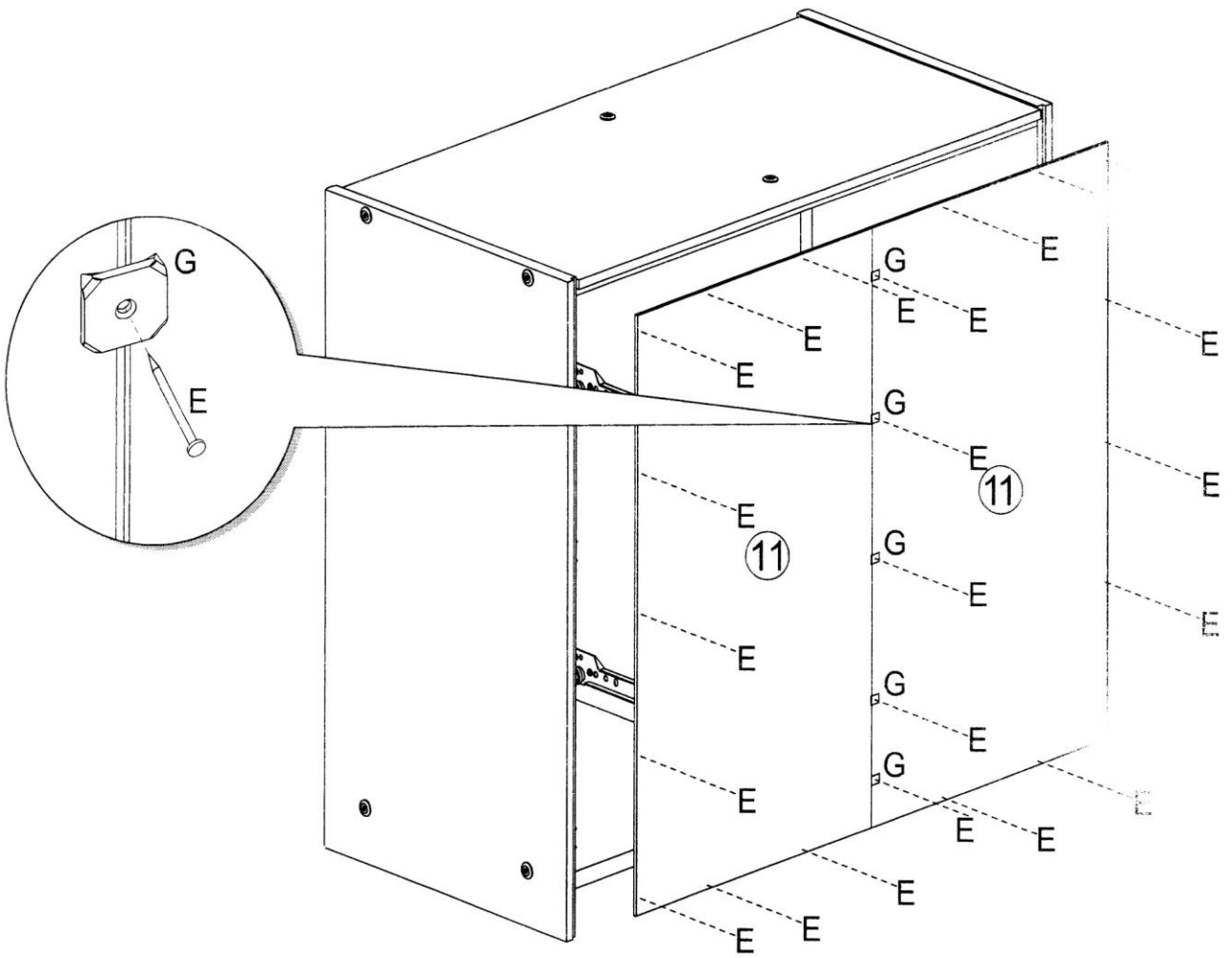
A  Qty 08
7,0 x 50 Screw

F  Qty 01
Hex Screwdriver


 **BOTTOM**

 **BACK**

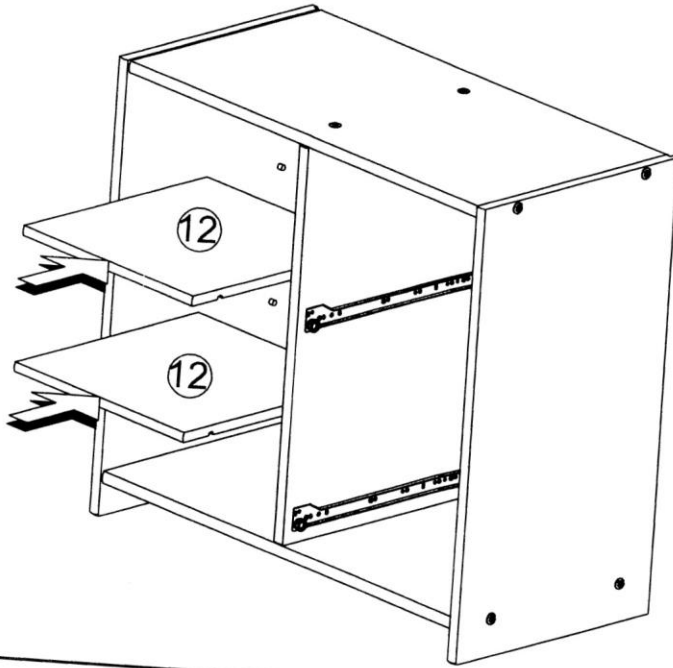
05



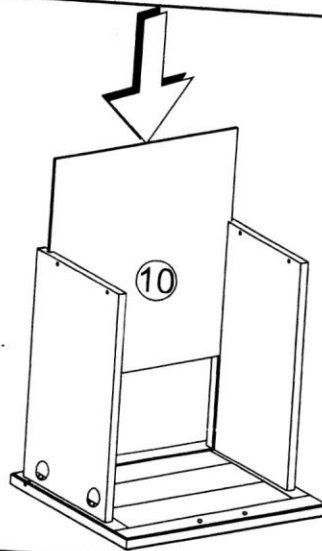
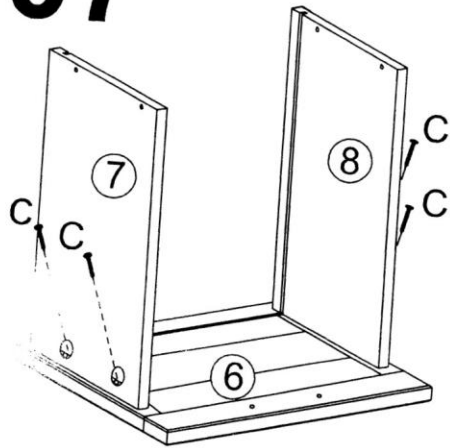
E  10 x 10 Qty

G 

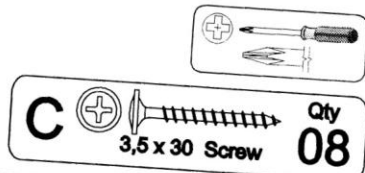
06



07

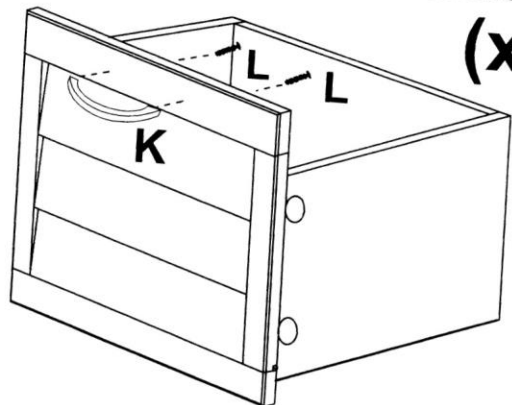
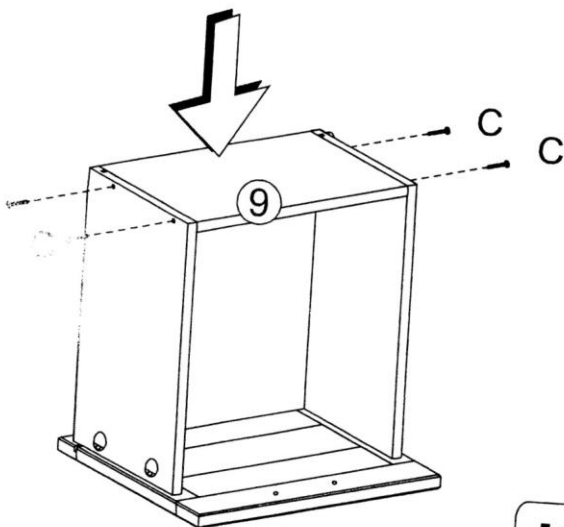


(x2)

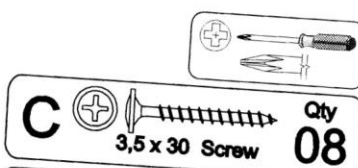


08

(x2)

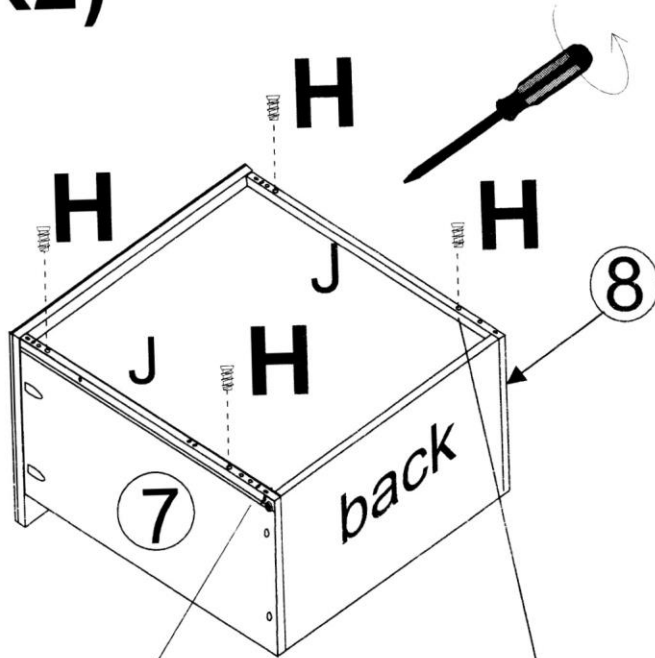


(x2)

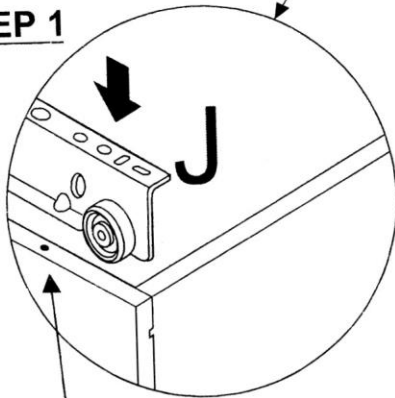


09

(X2)

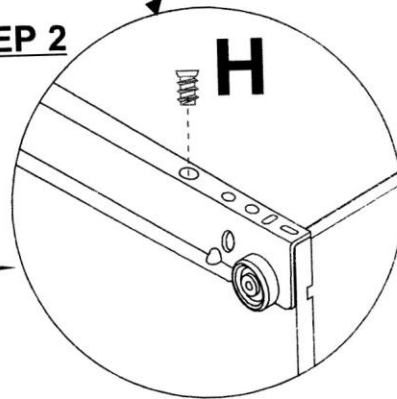


STEP 1



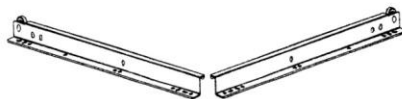
 PRE-DRILLED HOLES

STEP 2



 The wheel to the back !

J



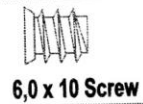
Drawer Runner 350mm

Qty

02



H



6,0 x 10 Screw

08

10

