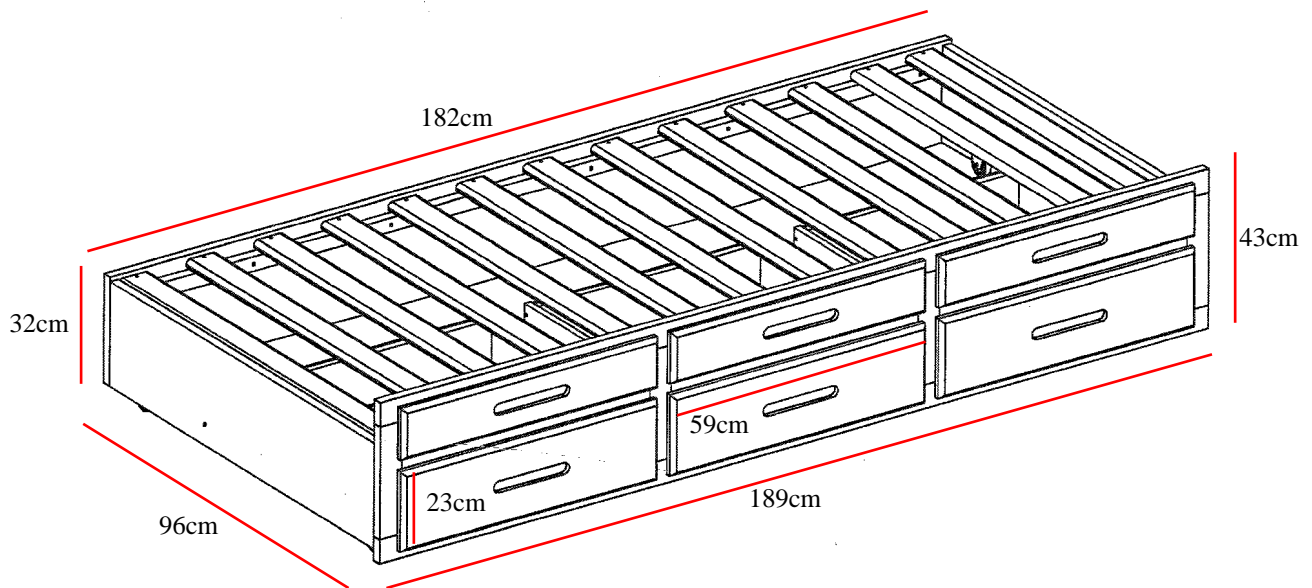


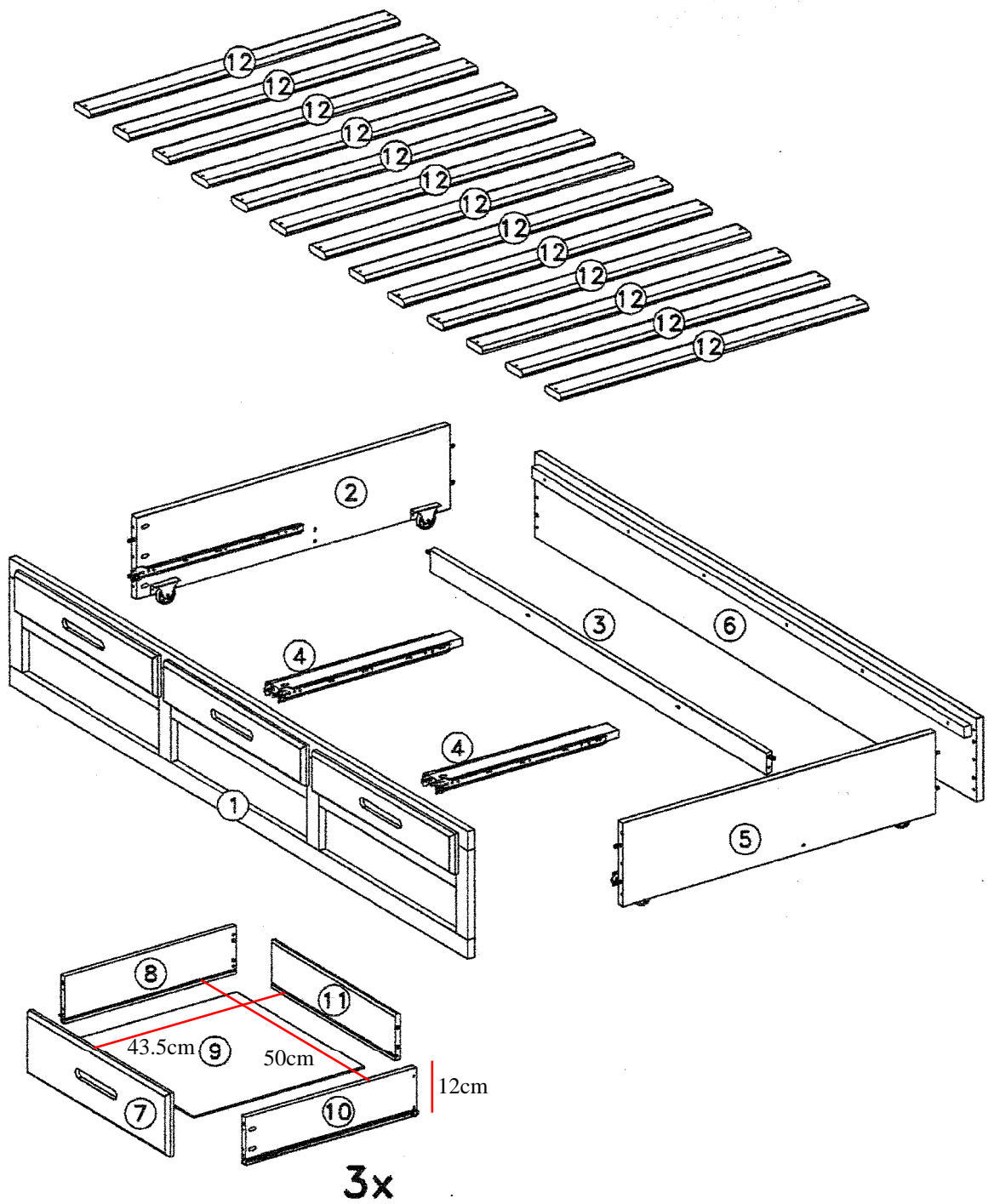
CAPTAINS BED UNDER BED WITH DRAWER STORAGE

Nov 2010



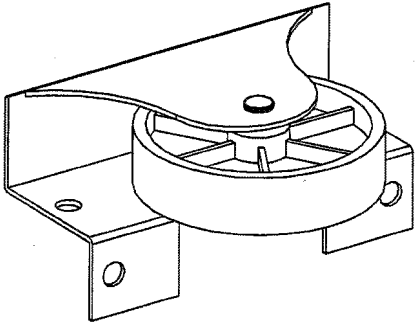
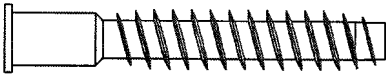





- Please assemble on a clean soft surface to avoid damage.
- Do not use power tools to assemble this product.

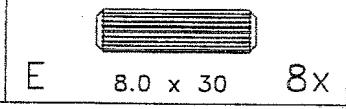
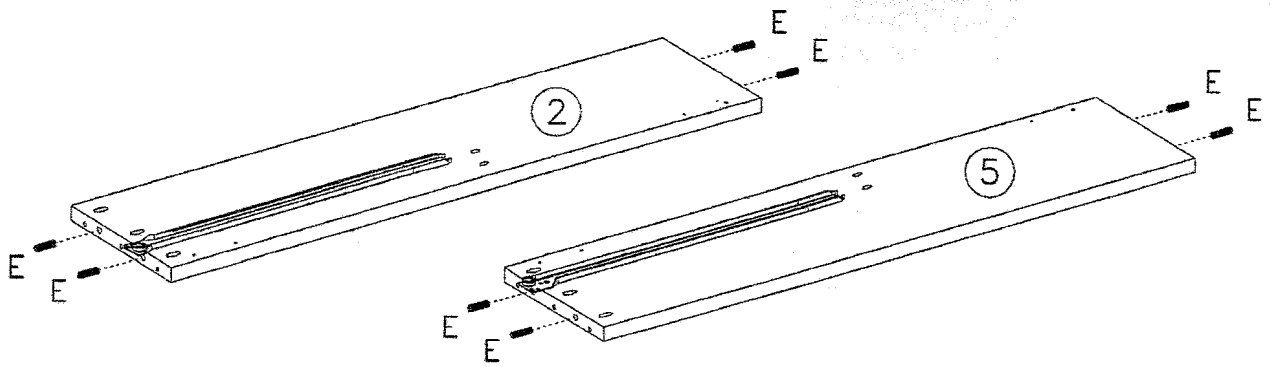
- Please check contents and read instructions before commencing assembly.
- Assemble this article following the enclosed instructions carefully.
- Please take care to avoid damaging panels during assembly.



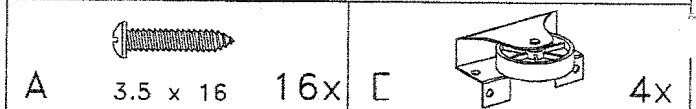
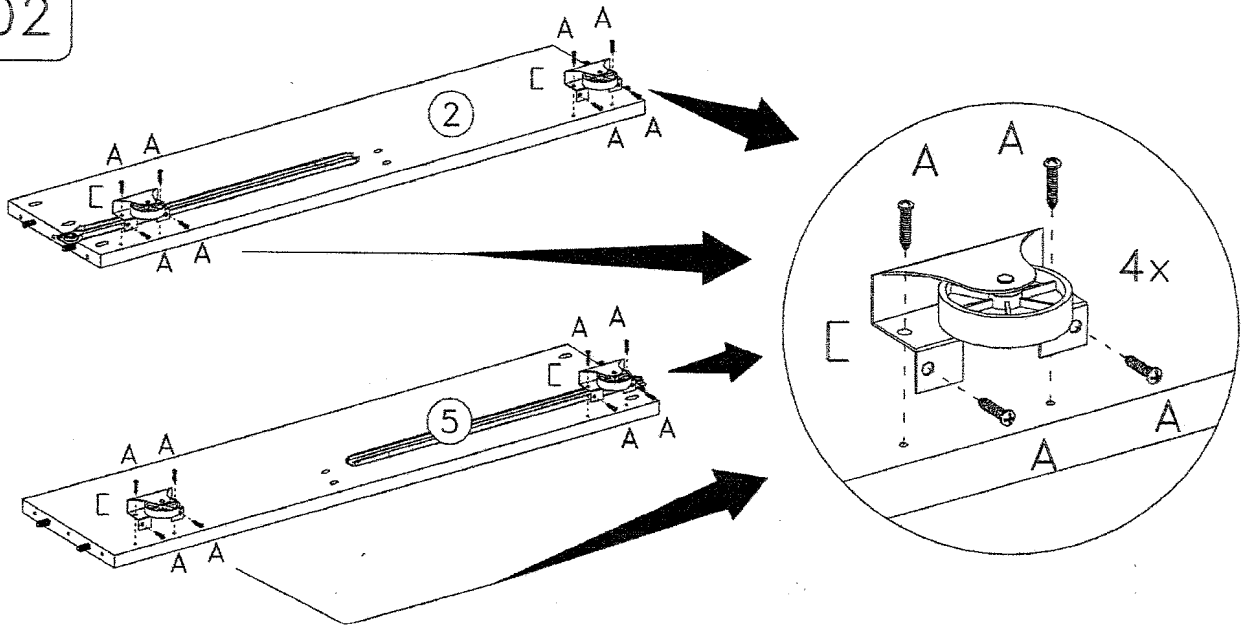
ITEM	DESCRIPTION	QTY		
1	FRONT	01		
2	LEFT END PANEL	01		
3	CROSSBEAM	01		
4	DRAWER RUNNERS	02		
5	RIGHT END PANEL	01		
6	BACK PANEL	01		
7	DRAWER FRONT	03		
8	L/H DRAWER SIDE	03		
9	DRAWER BASE	03		
10	R/H DRAWER SIDE	03		
11	DRAWER BACK	03		
12	SLATS	13		

A		3.5 x 16	16
B		4.0 x 30	58
C		04	
D		7.0 x 50	10
E		8.0 x 30	22
F		ALLEN KEY	01
G		(WOODEN)	02

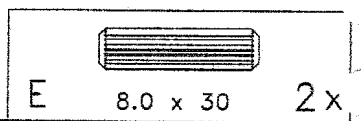
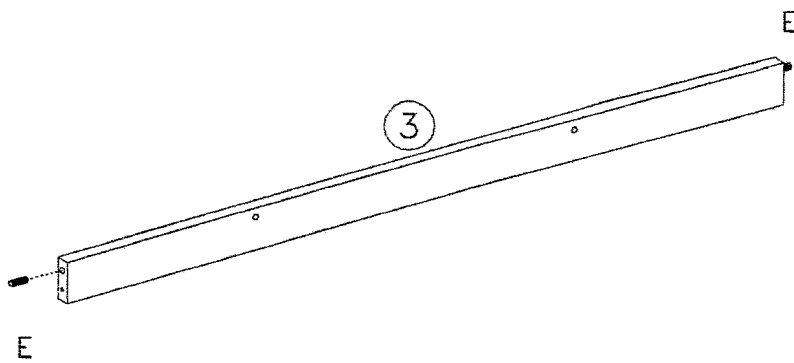
01



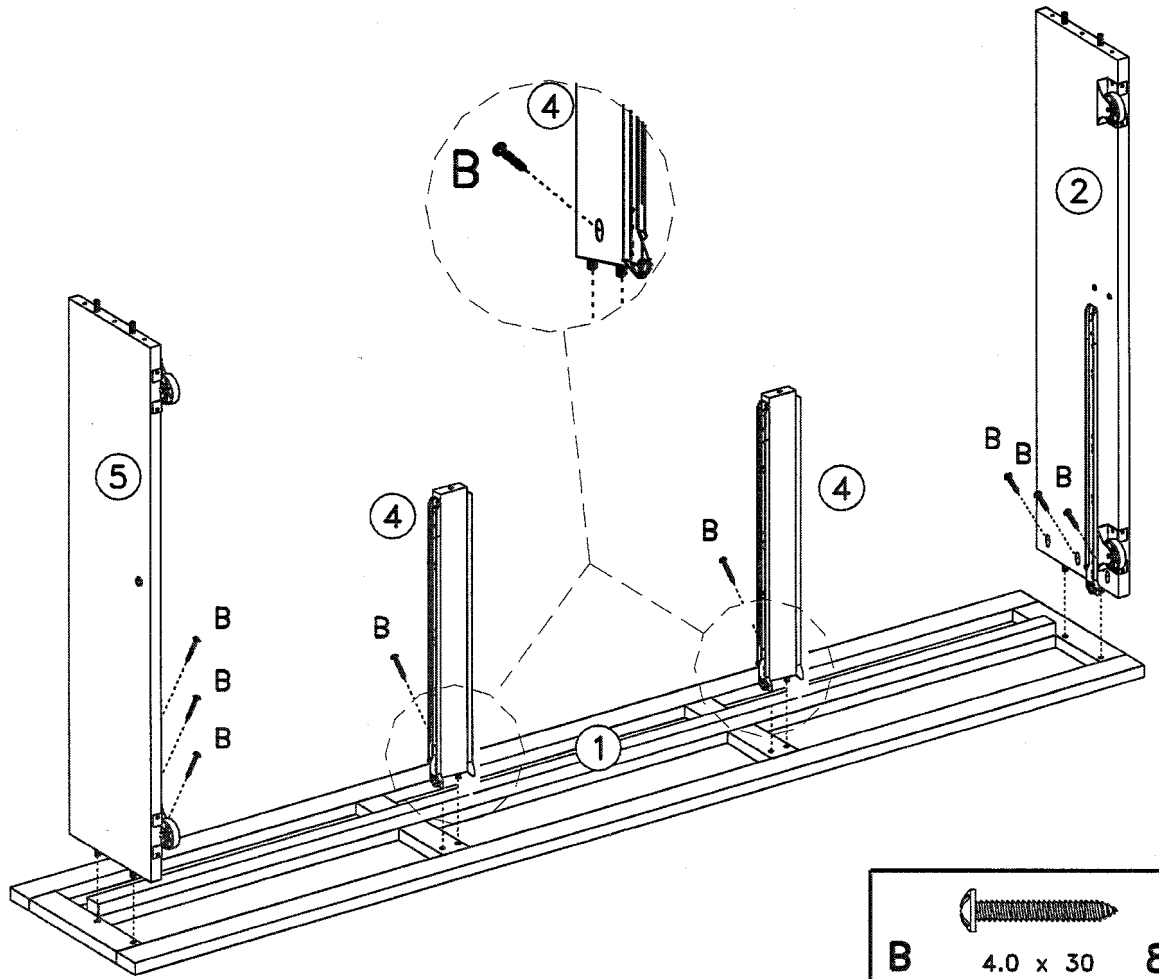
02



03

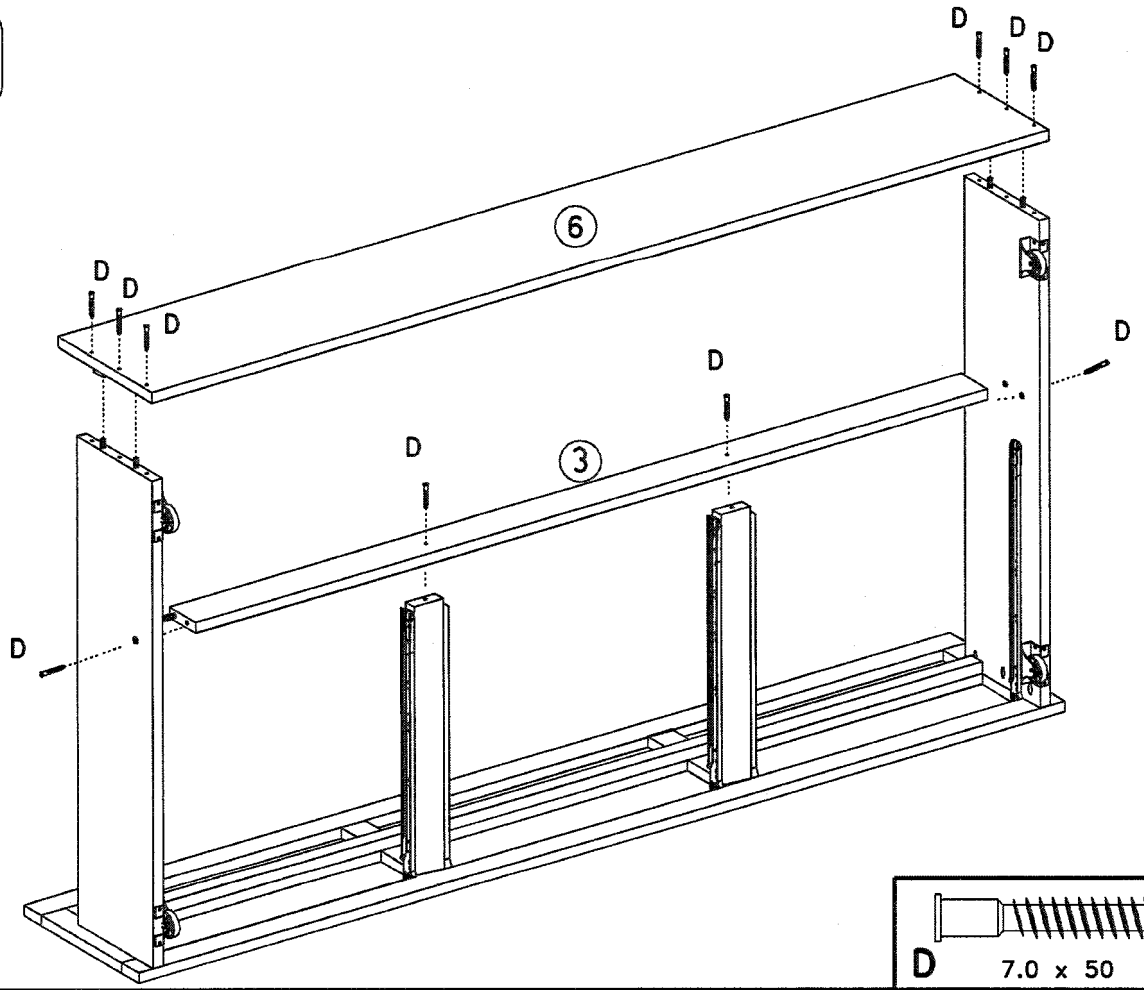


04



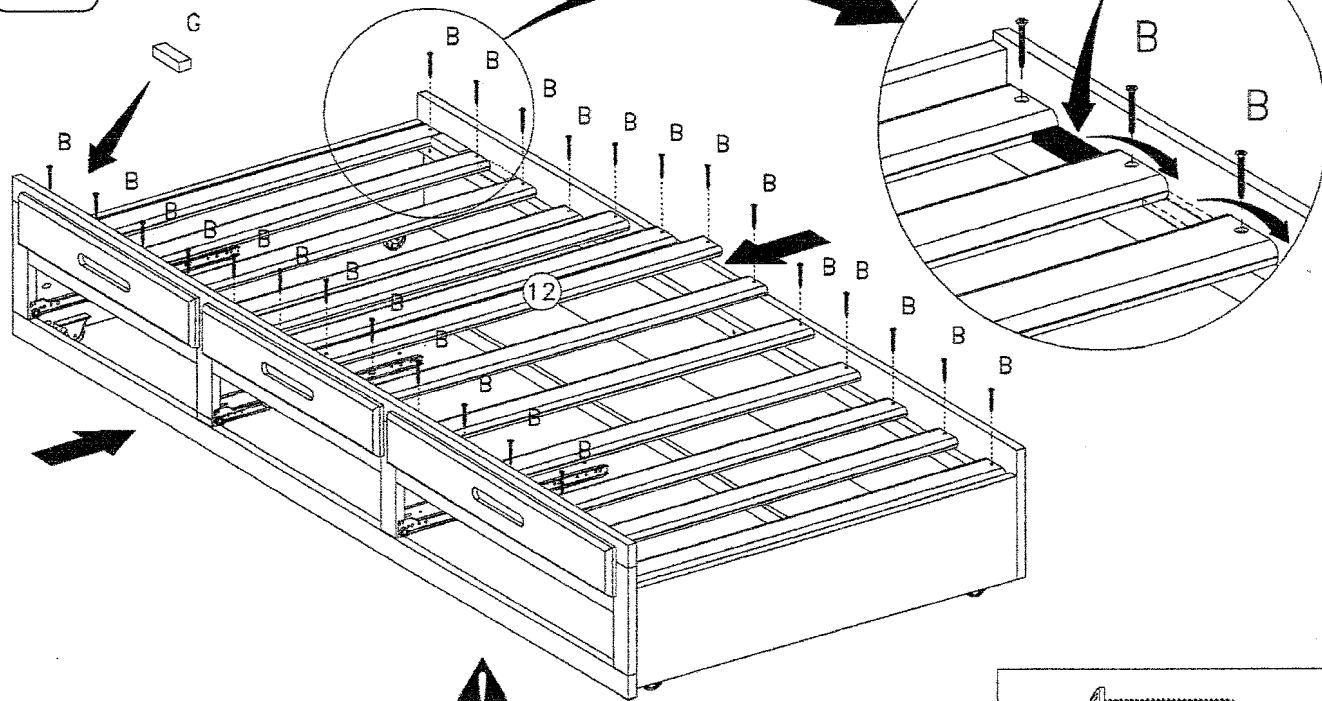
B 4.0 x 30 8x

05





D 7.0 x 50 10x

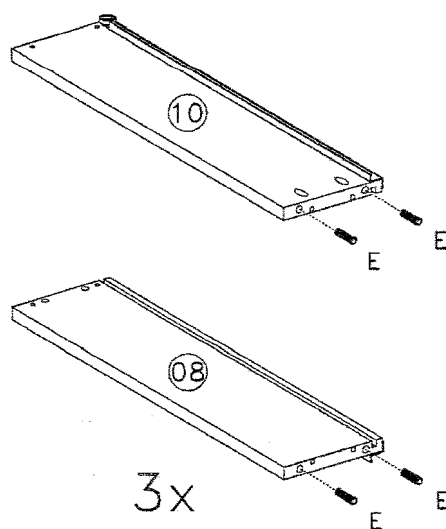
06



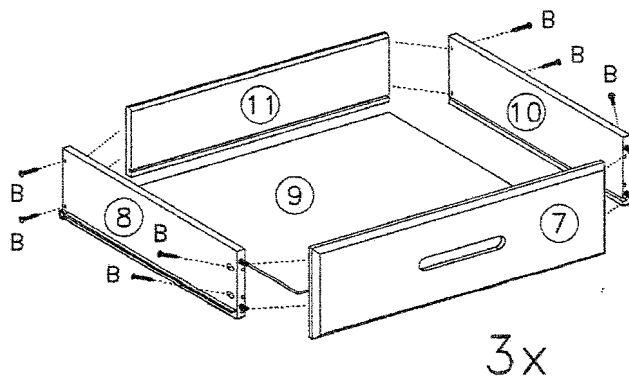
Please fix the first slats adjacent to the end panels and work towards the middle of the trundle using the Spacer (G) as shown to ensure correct spacing. Fix all the slats to one siderail first then push the second siderail tight against the slats and fix. Please retain the Allen key and use periodically to check that all bolts are tight.

B		4.0 x 30	26x
G		SPACER	2x

07



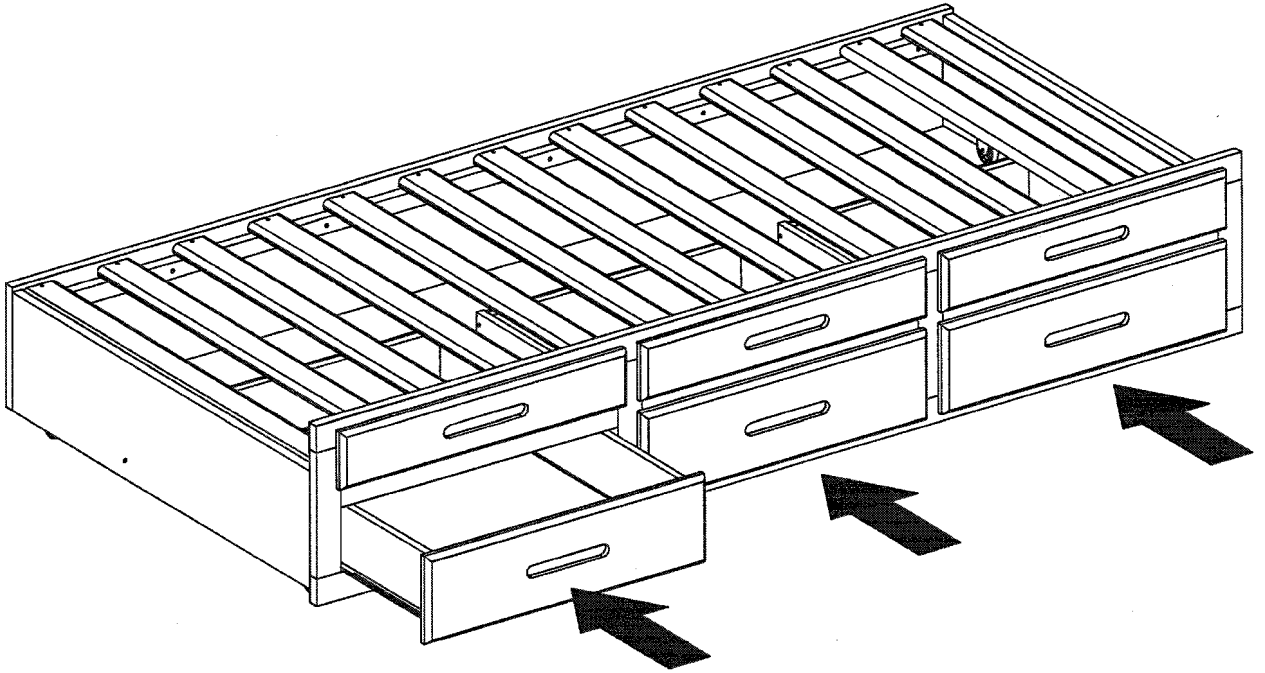
08



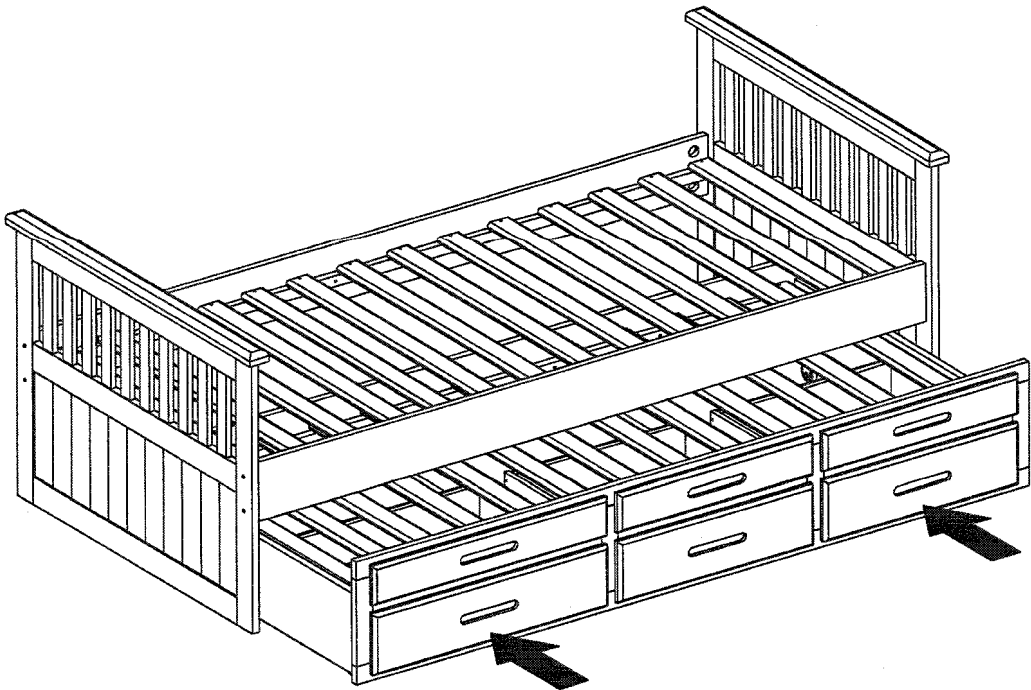
E 8.0 x 30 4X

B 4.0 x 30 8X

09



10



WHEN FULLY ASSEMBLED PLEASE
ENSURE ALL SCREWS ARE TIGHTENED.