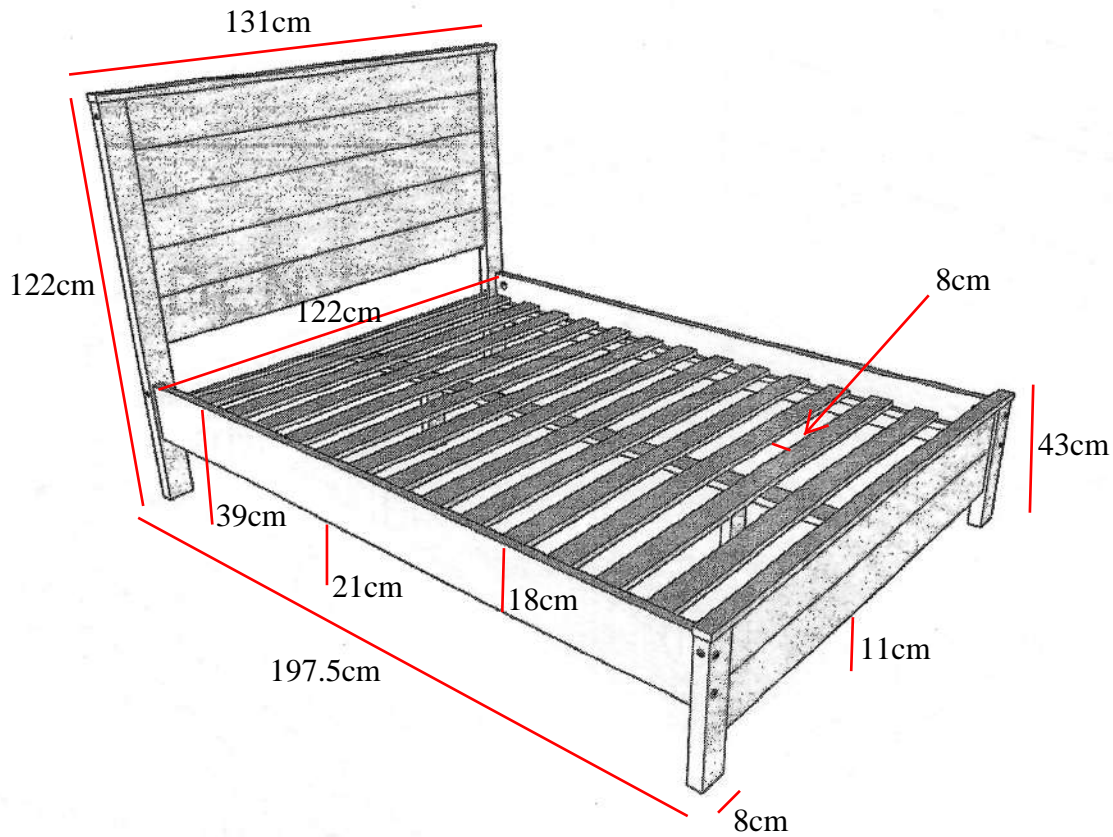
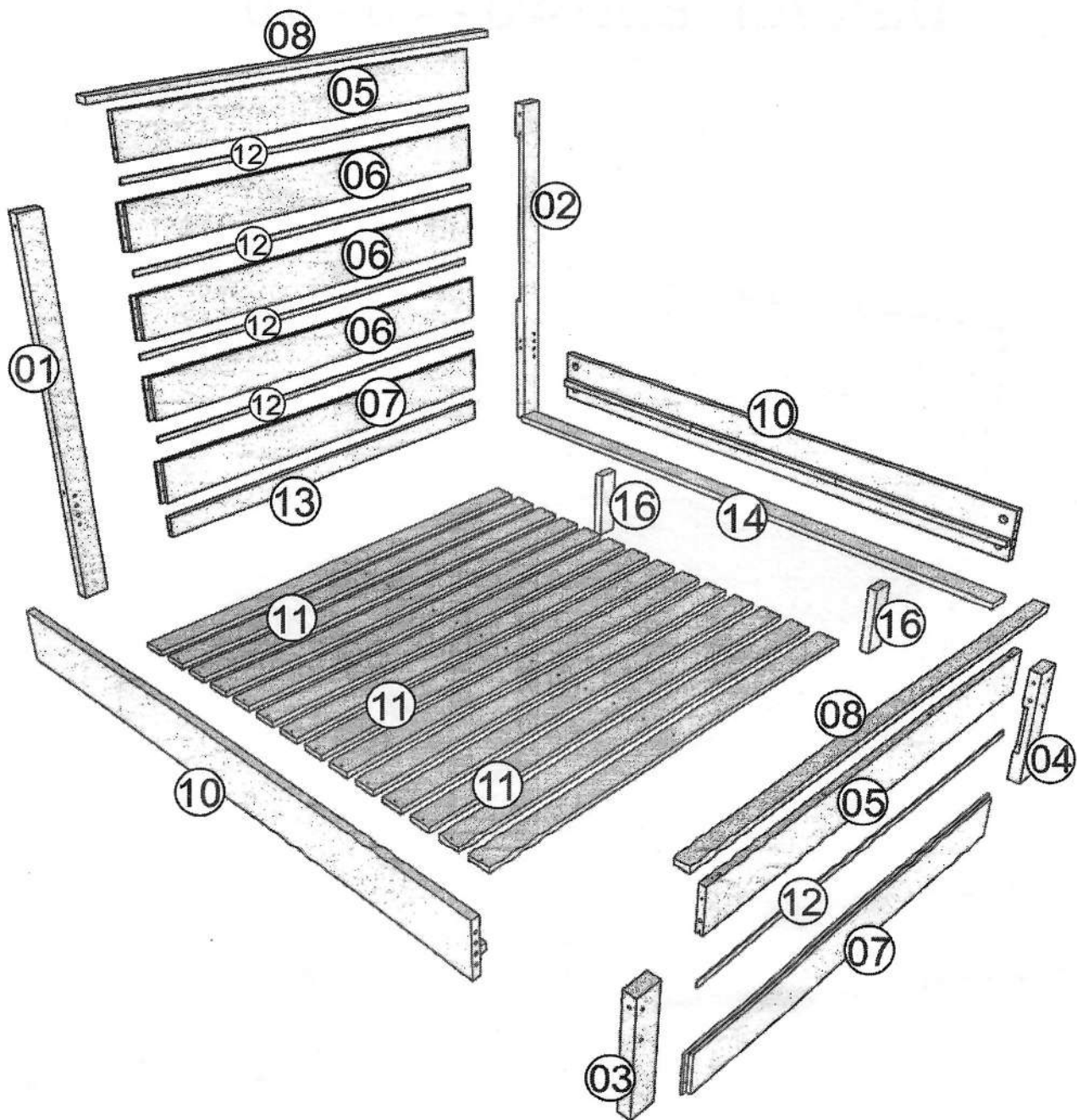




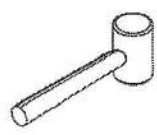
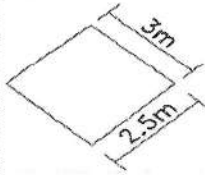
# DENVER BED 4'0 - ~~4'6~~ - 5'0

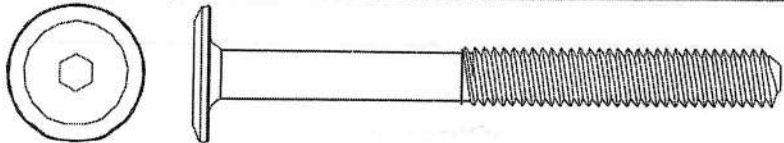
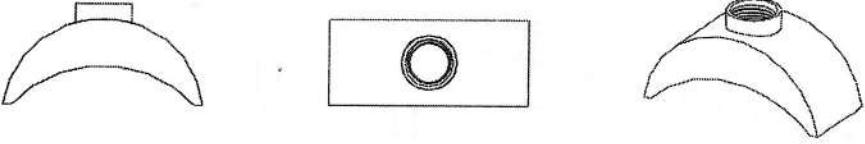
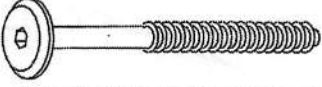


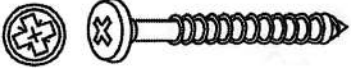


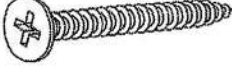





- Please assemble on a clean soft surface to avoid damage.
- Do not use power tools to assemble this product.

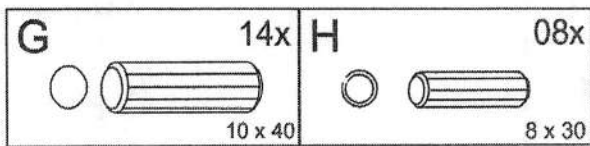
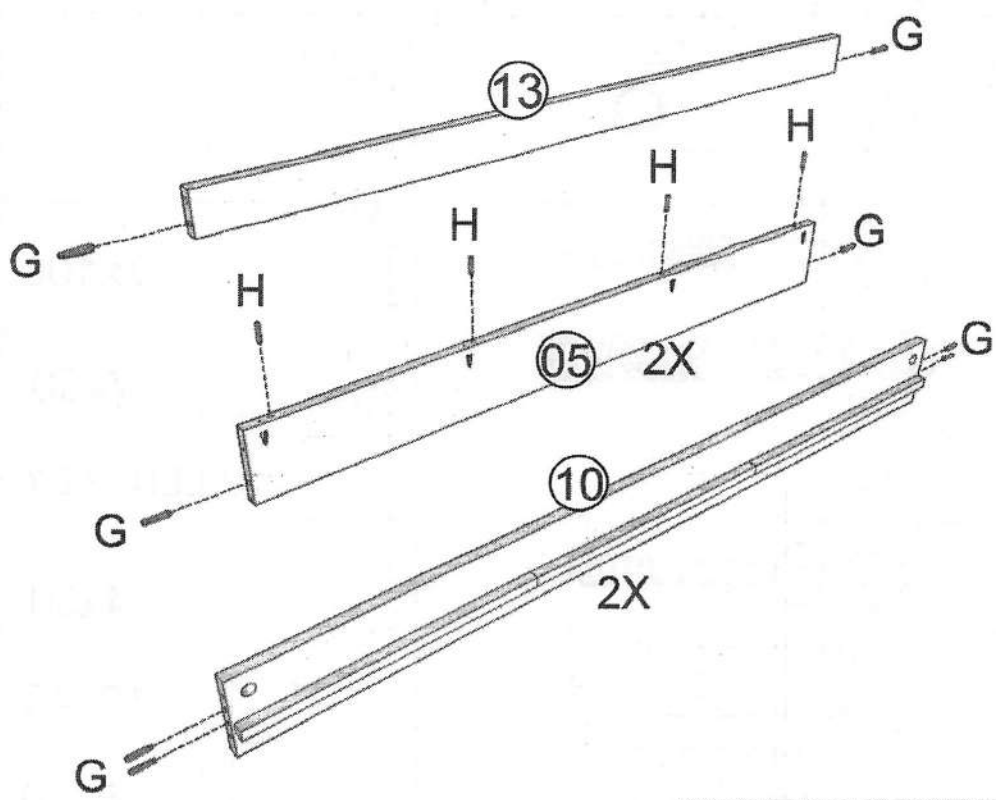
- Please check contents and read instructions before commencing assembly.
- Assemble this article following the enclosed instructions carefully.
- Please take care to avoid damaging panels during assembly.



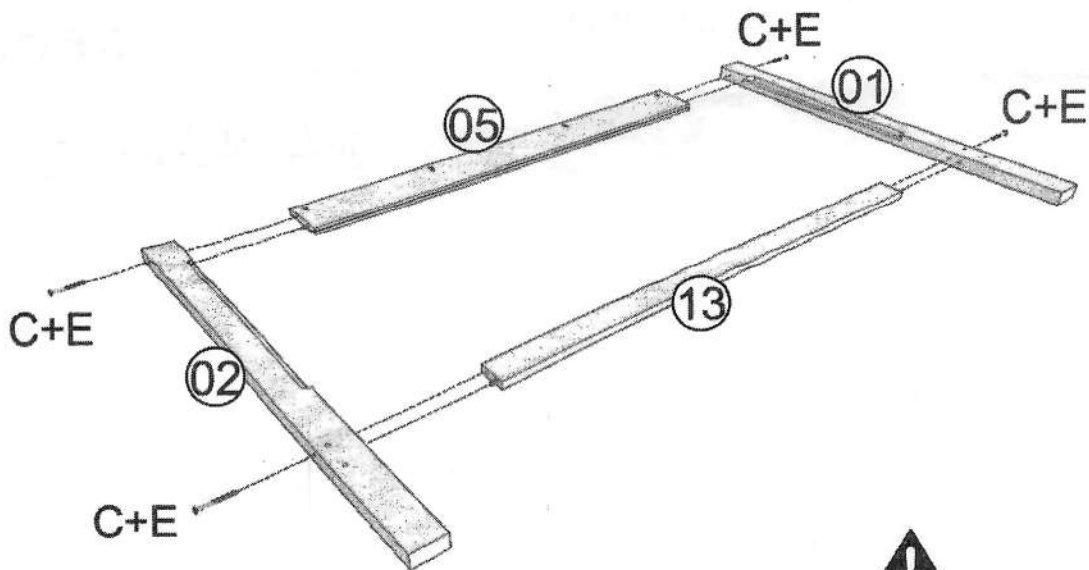
ITEM	DESCRIPTION	QTY		
01	Headboard Left Foot	01		
02	Headboard Right Foot	01		
03	Footboard Left Foot	01		
04	Footboard Right Foot	01		
05	Upper Frame	02		
06	Middle Frame	03		
07	Lower Frame	02		
08	Frame	02		
10	Crossbeam	02		
11	Slats	14		
12	Junction	05		
14	Center Crossbeam	01		
16	Center Foot	02		


A		1/4"x80 08
B		08
C		7x100 06
D		7x50 02
E		ALLEN KEY 01
F		4x30 40
G		10x40 14
H		8x30 08
I		4x25 20
J		(WOODEN) 02
K		3,5x16 16
L		METAL SUPPORT 02

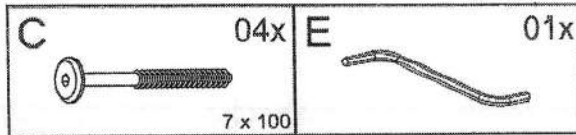
01



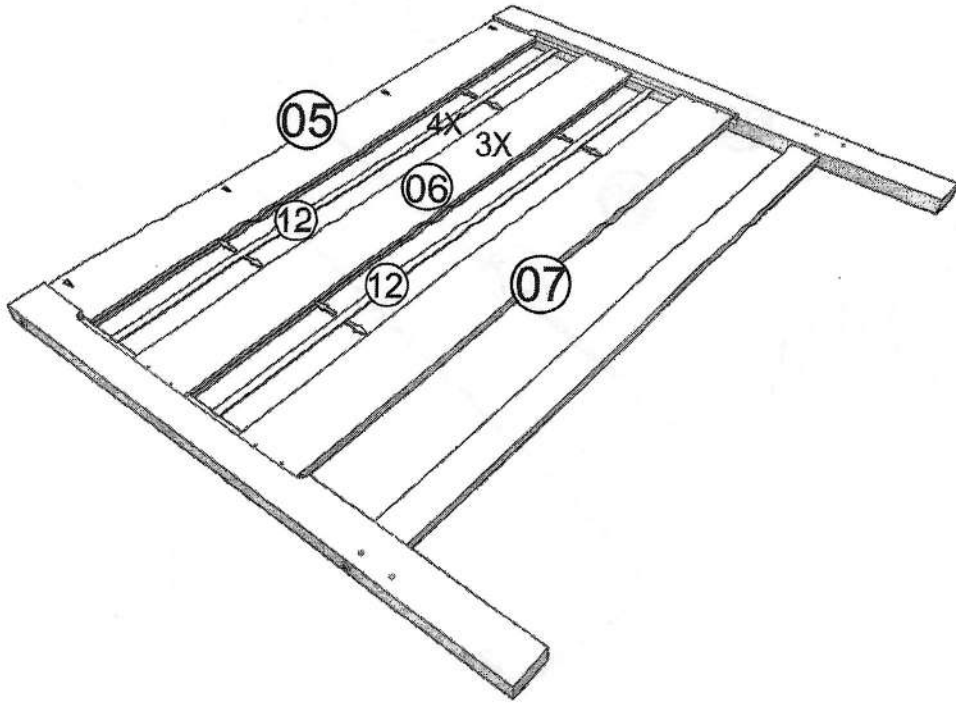
02



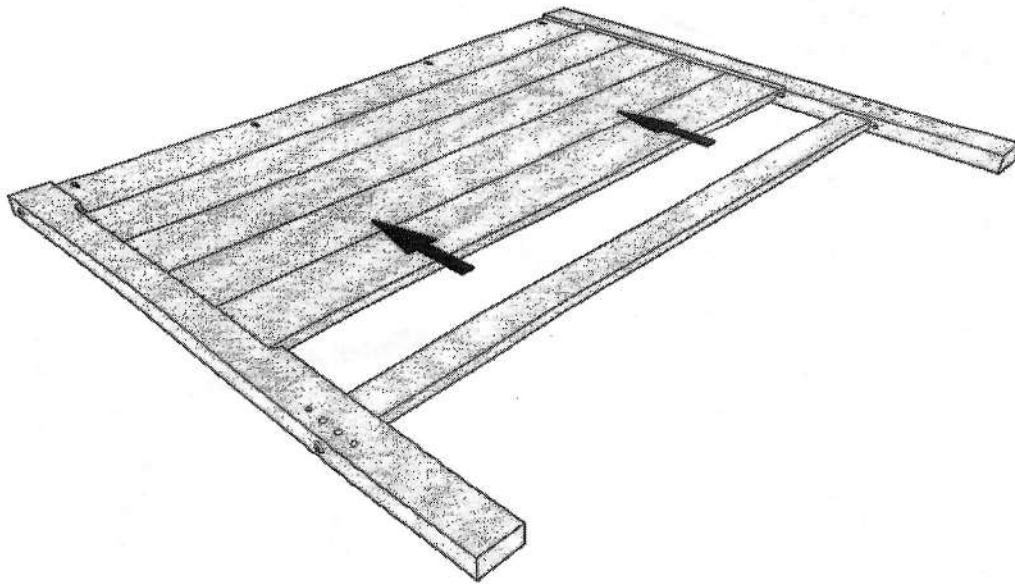
 Please assemble on a soft clean surface to avoid damaging the parts.



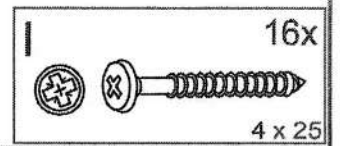
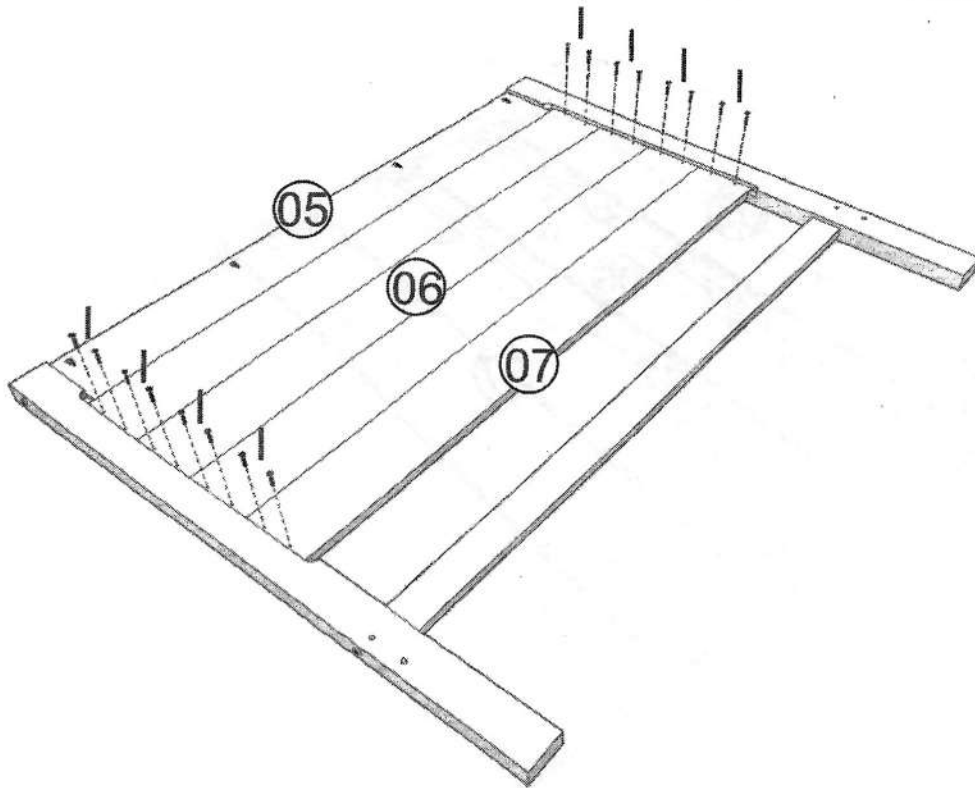
03



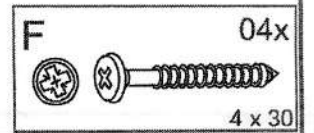
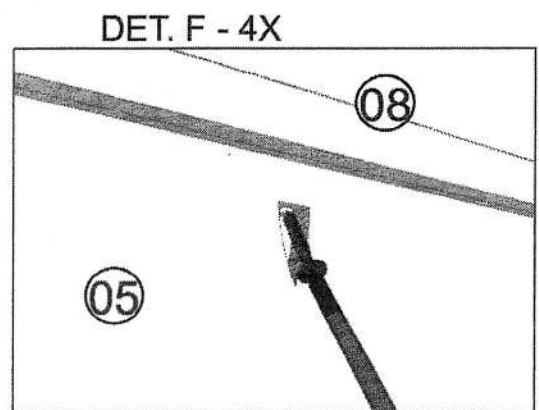
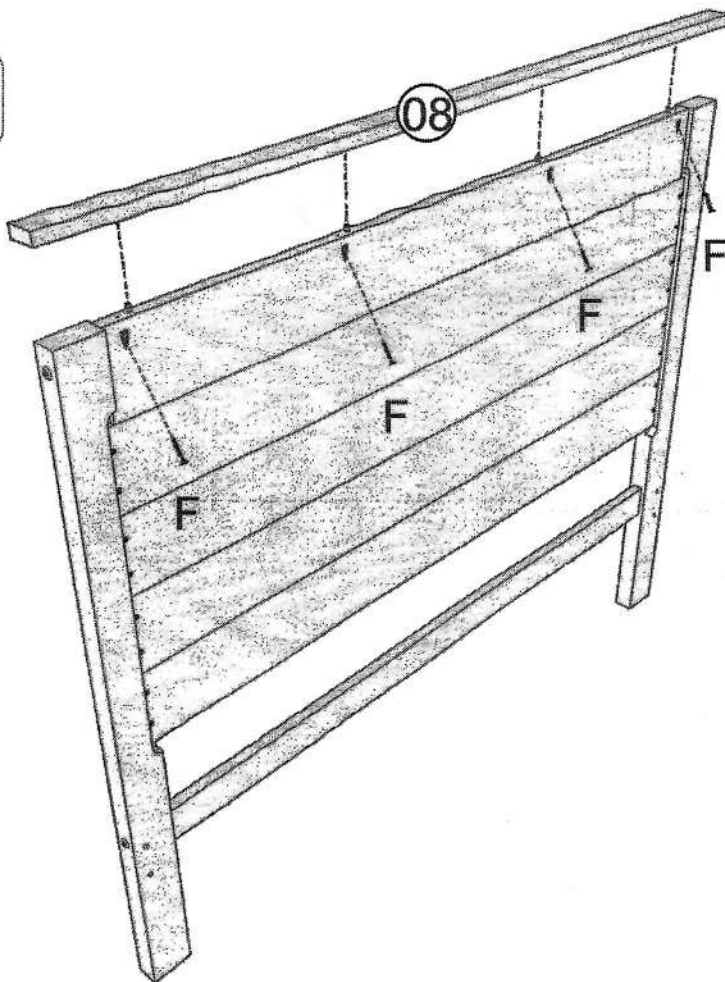
04



05

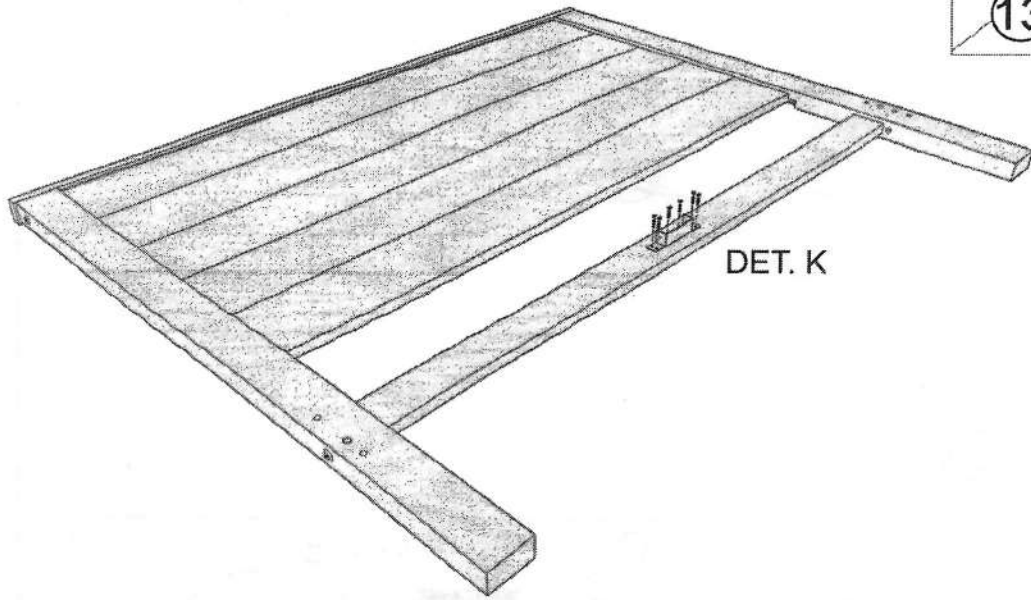
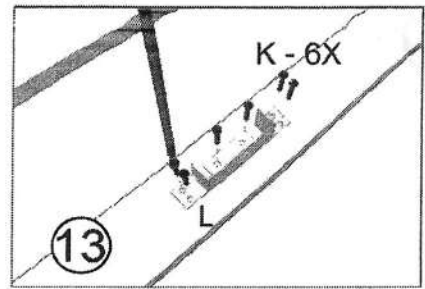


06

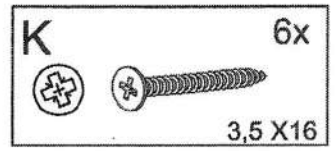


07

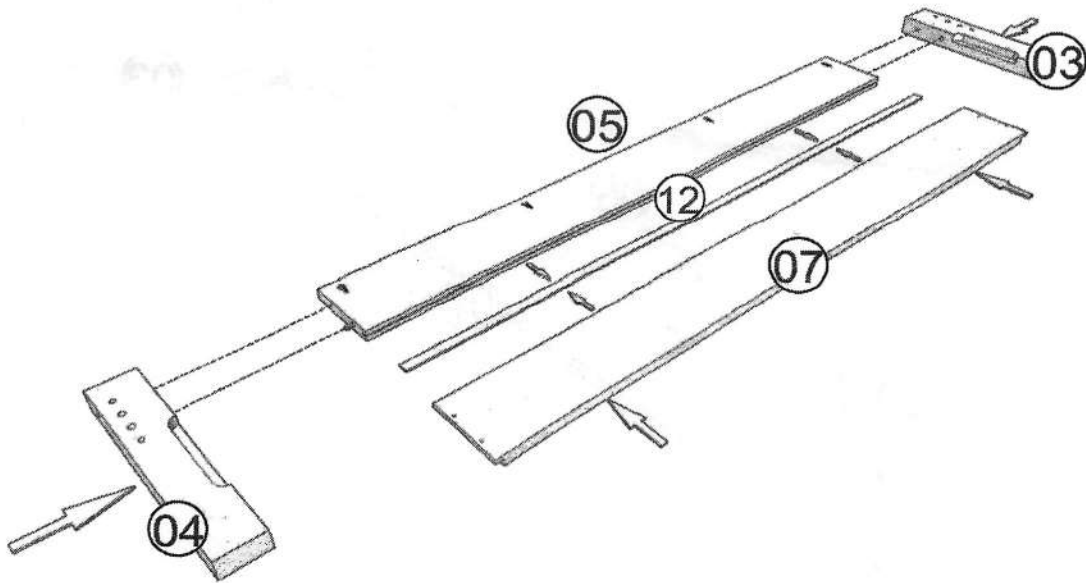
DET. K



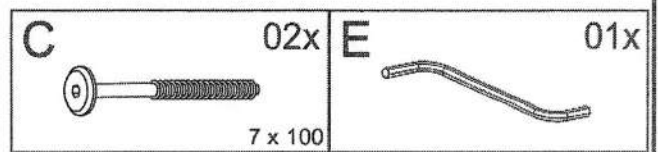
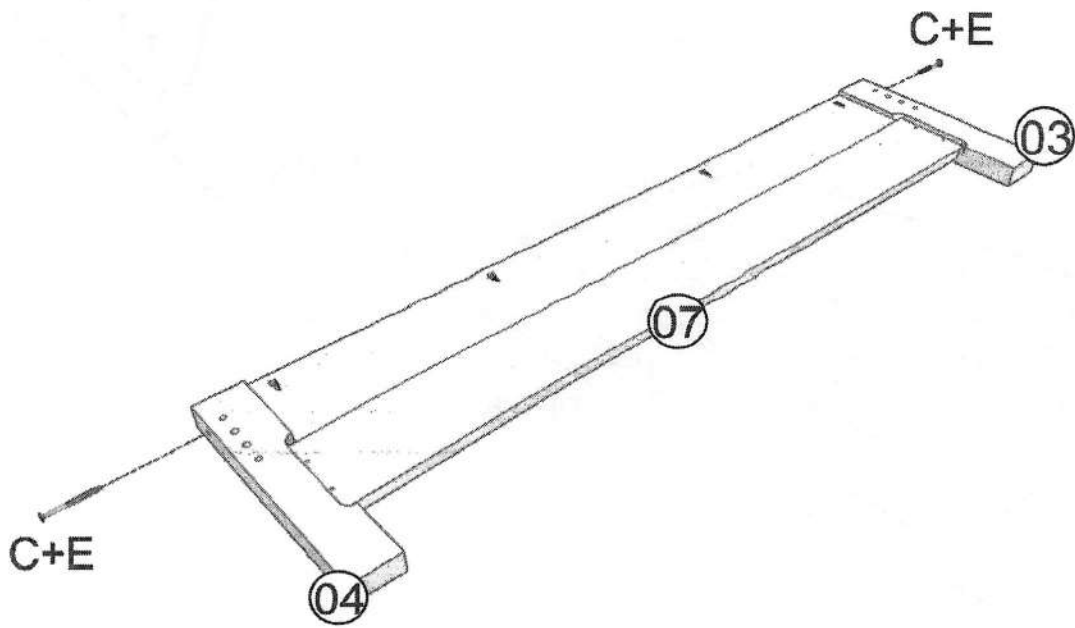
DET. K



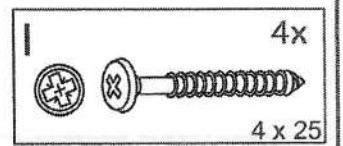
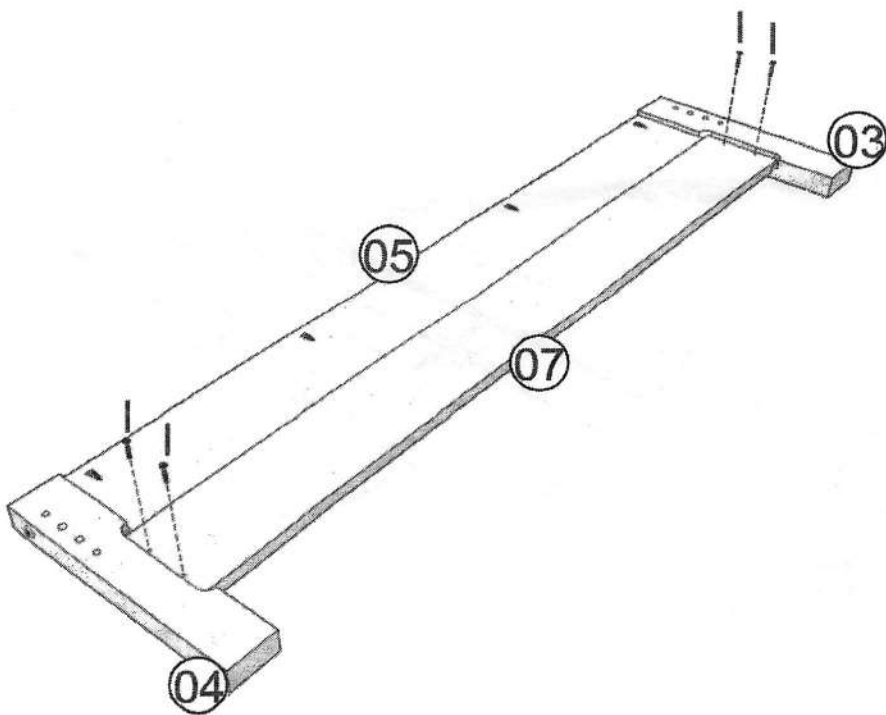
08



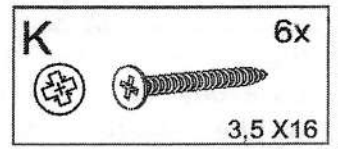
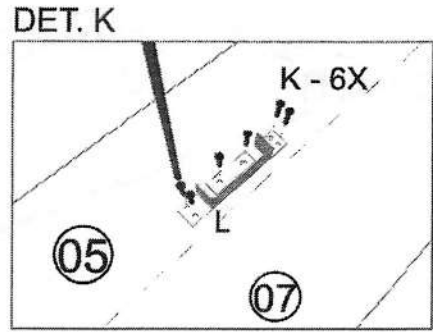
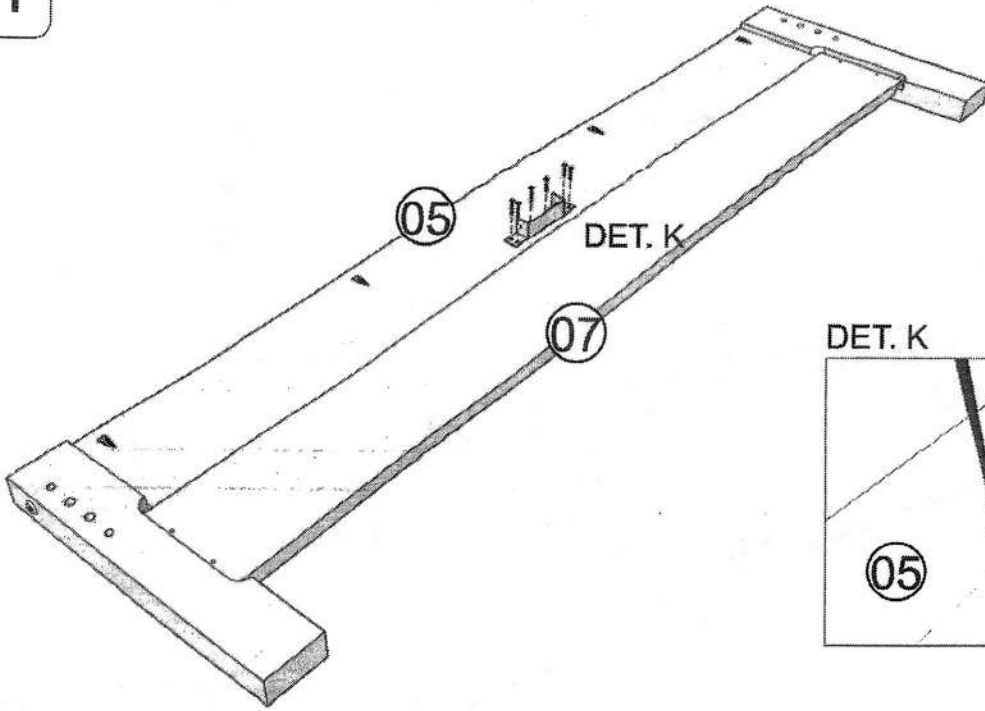
09



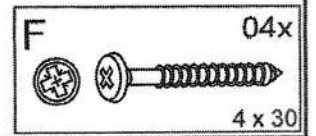
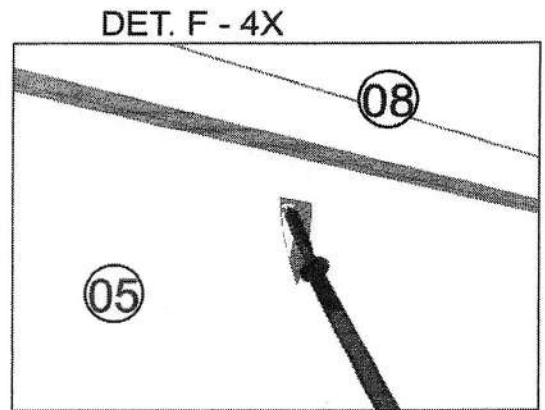
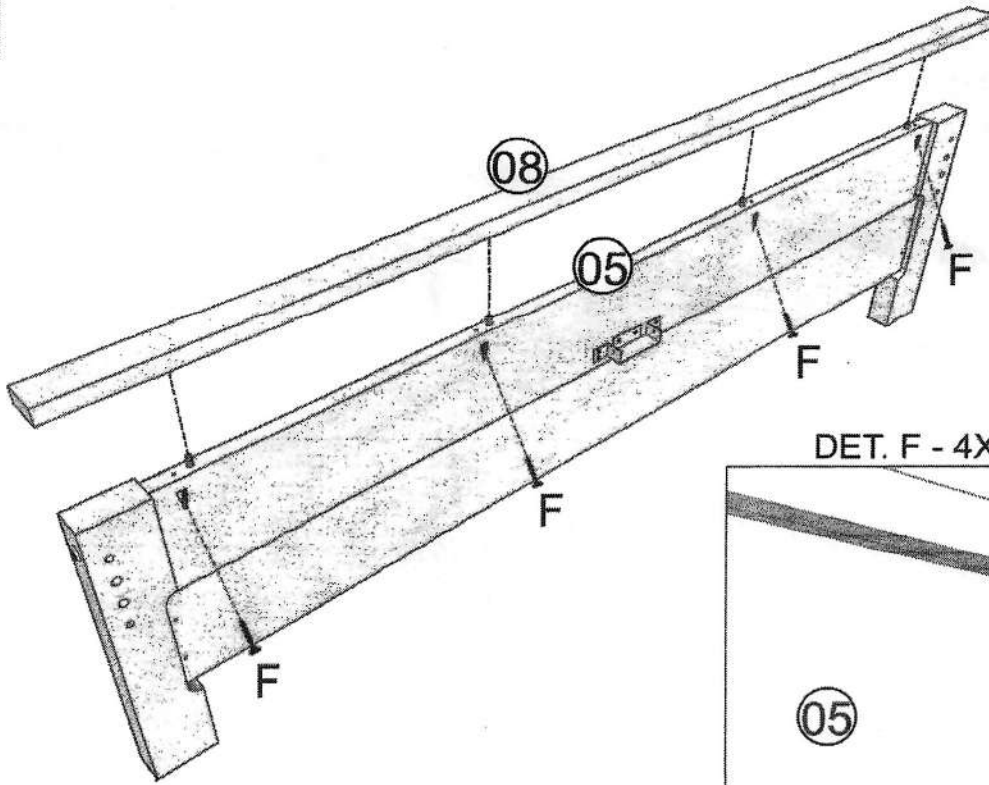
10



11

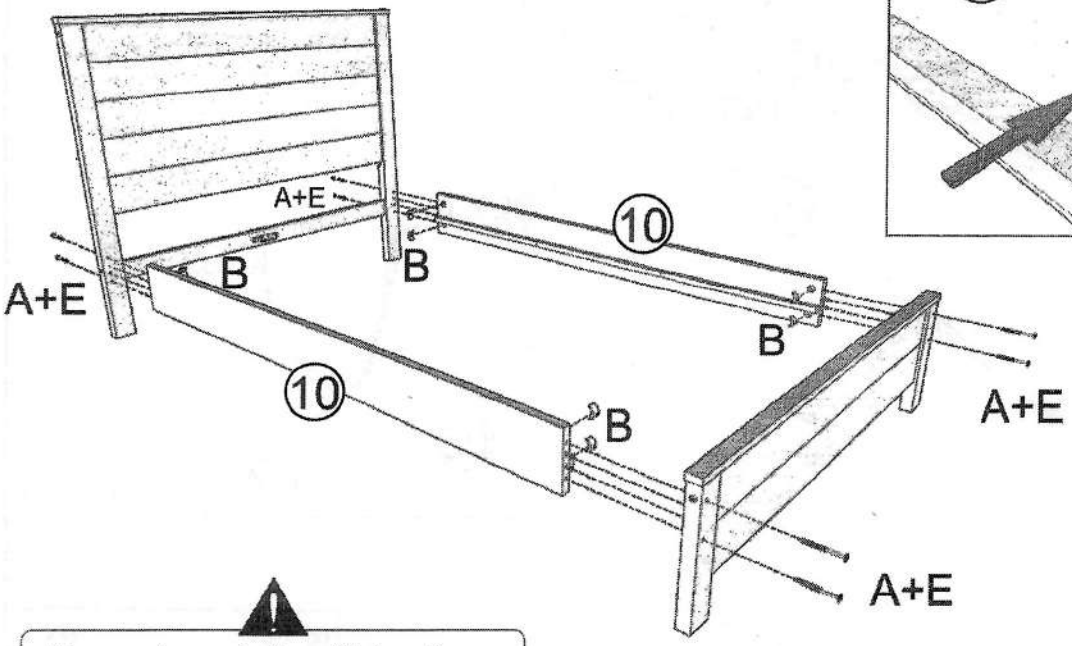
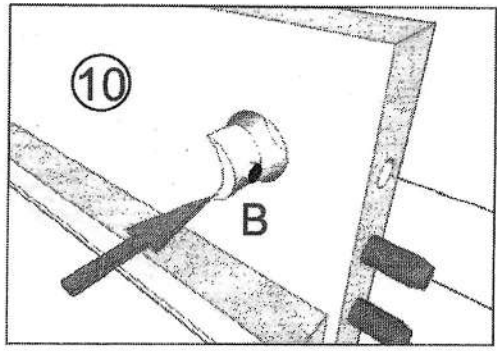


12





13

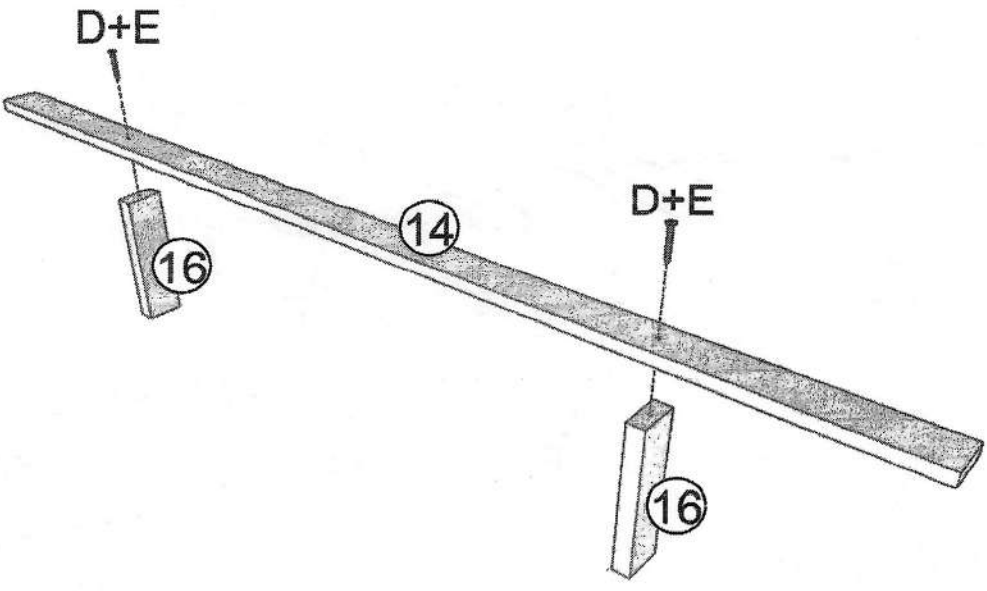
DET. B - 8X





⚠ Please insert the Siderail carefully to avoid damage to the Headboard/Footboard.

A	08x 1/4" x 80	E	01x
			

14

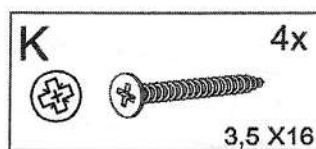
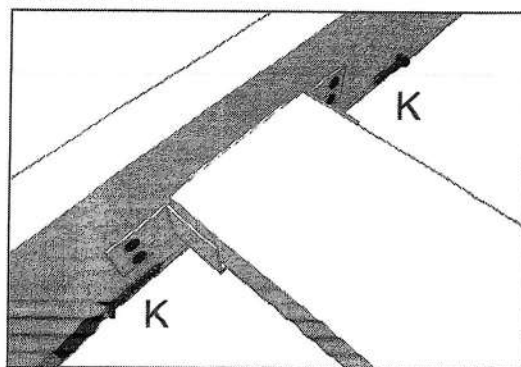
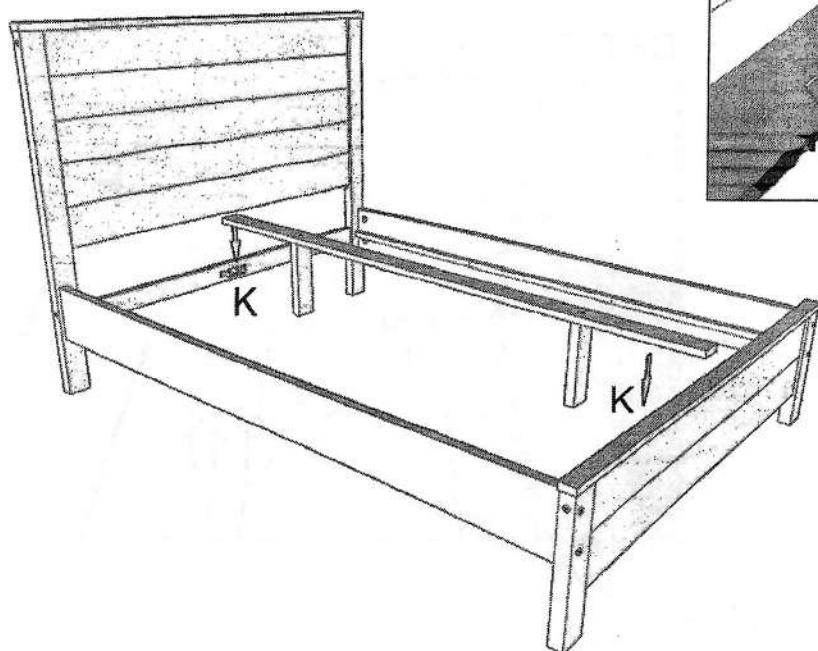


E	01x	D	02x
			

7 x 50

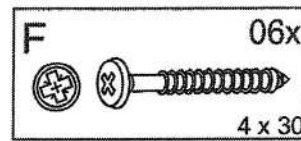
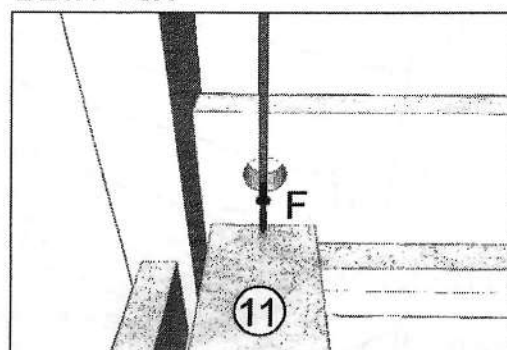
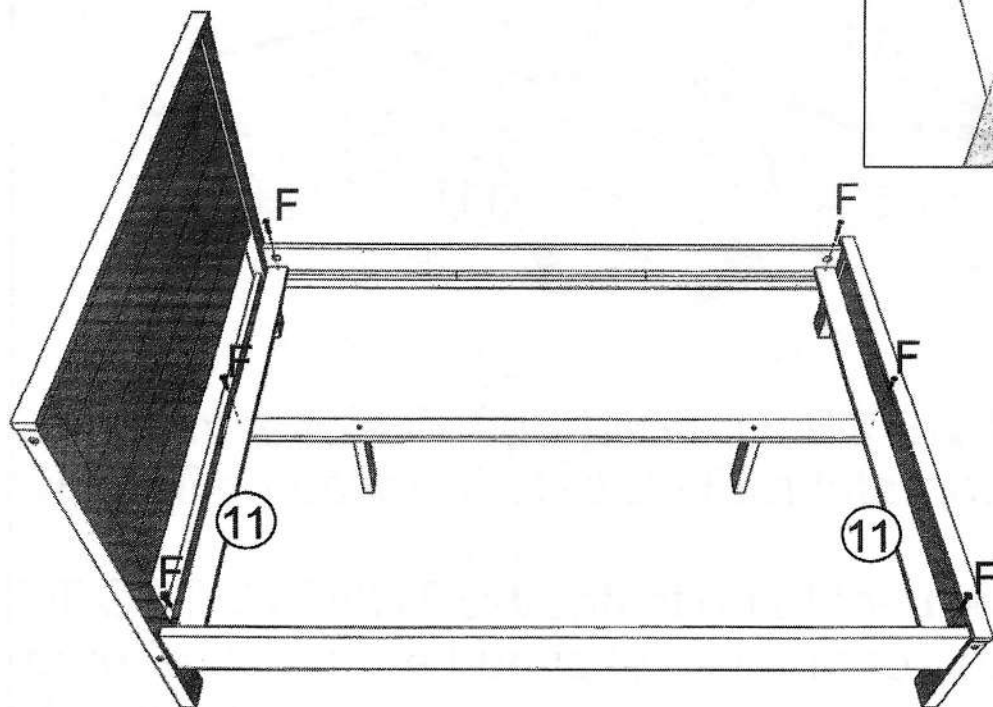
15

DET. K - 4X



16

DET. F - 6X

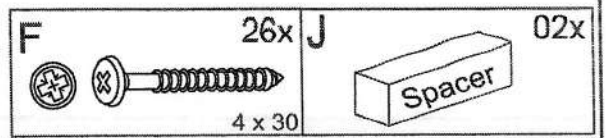
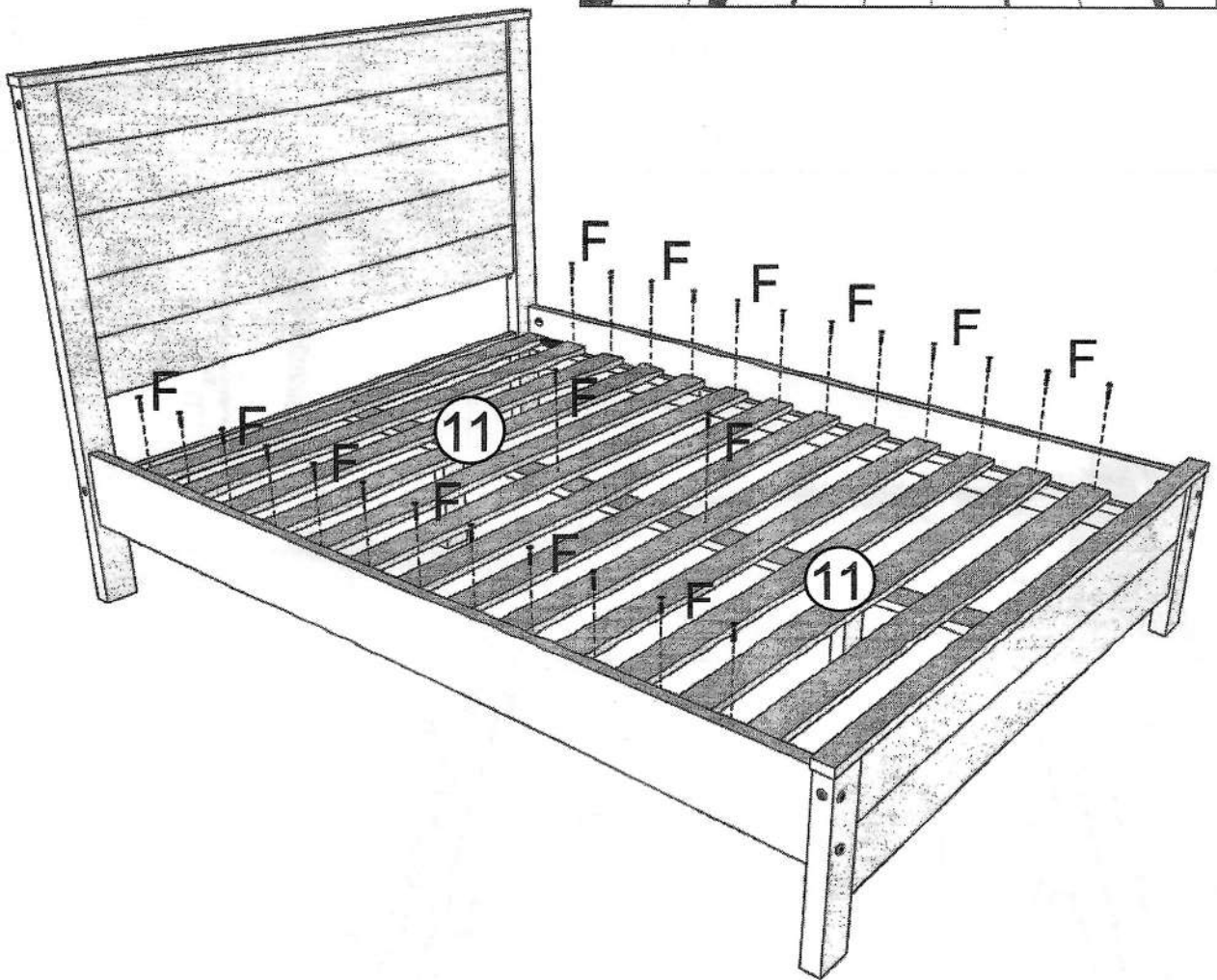
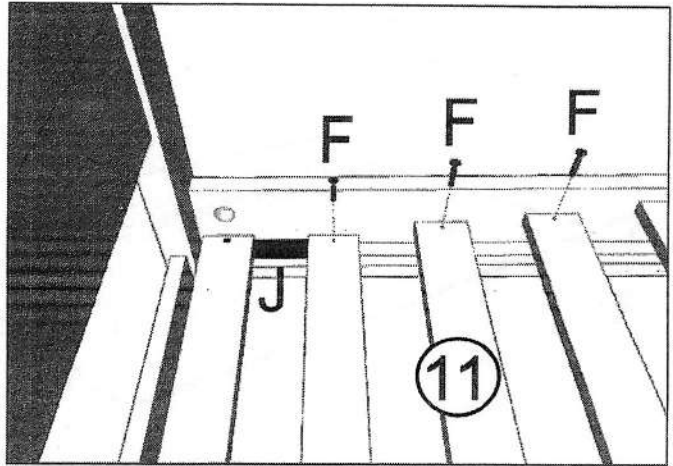


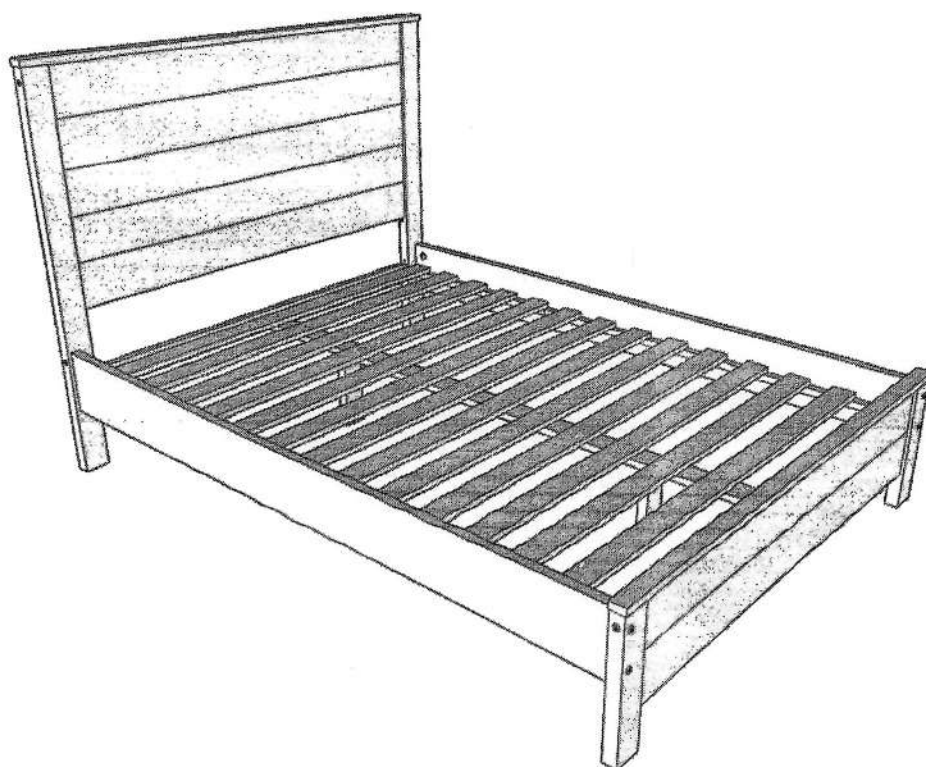
11/13

13/13

17

DET. F - 12X






Content of Vol. 1/1 - Slats, Frames, Crossbeam, Junction, Feet and Hardware.

- Compliance to: BD-93571-S1-TI: BS EN 1725:2023 Test Level 1 (Domestic), Tested By Fira International Ltd.

- **IMPORTANT NOTE:** Ventilation of the room is necessary in order to keep the humidity low and to prevent mould in and around the bed.

  
WHEN FULLY ASSEMBLED PLEASE  
ENSURE ALL SCREWS ARE TIGHTENED.