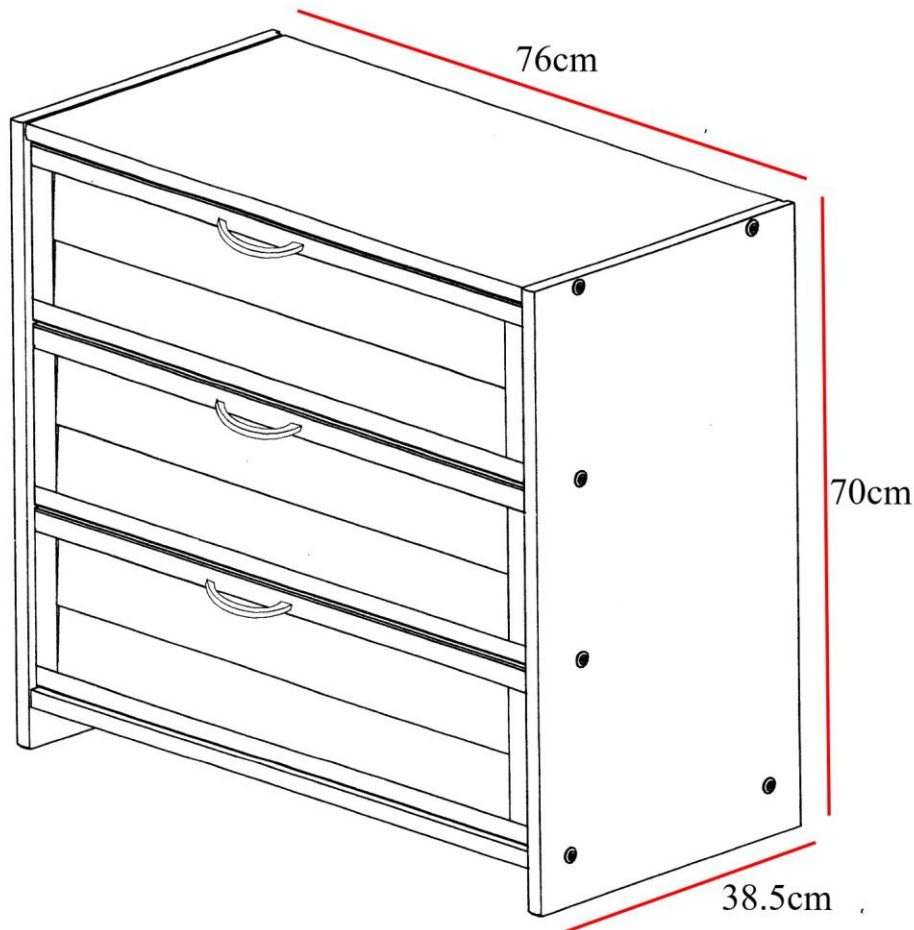


RIGHT STAIR



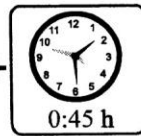
Thank you for purchasing this quality product. Be sure to check all packing material carefully for small parts which may have come loose inside the carton during shipment. Separate, identify and count all parts and hardware.

Compare with the parts list to be sure all parts are present.

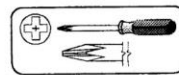
"DO NOT TIGHTEN SCREWS UNTIL COMPLETELY ASSEMBLED"



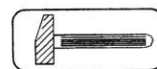
* Use of power tool to assemble this product will invalidate any claim and damage this product making unsafe !!!
* Please assemble on a clean soft surface to avoid damage.



Tools Required



(Not included)



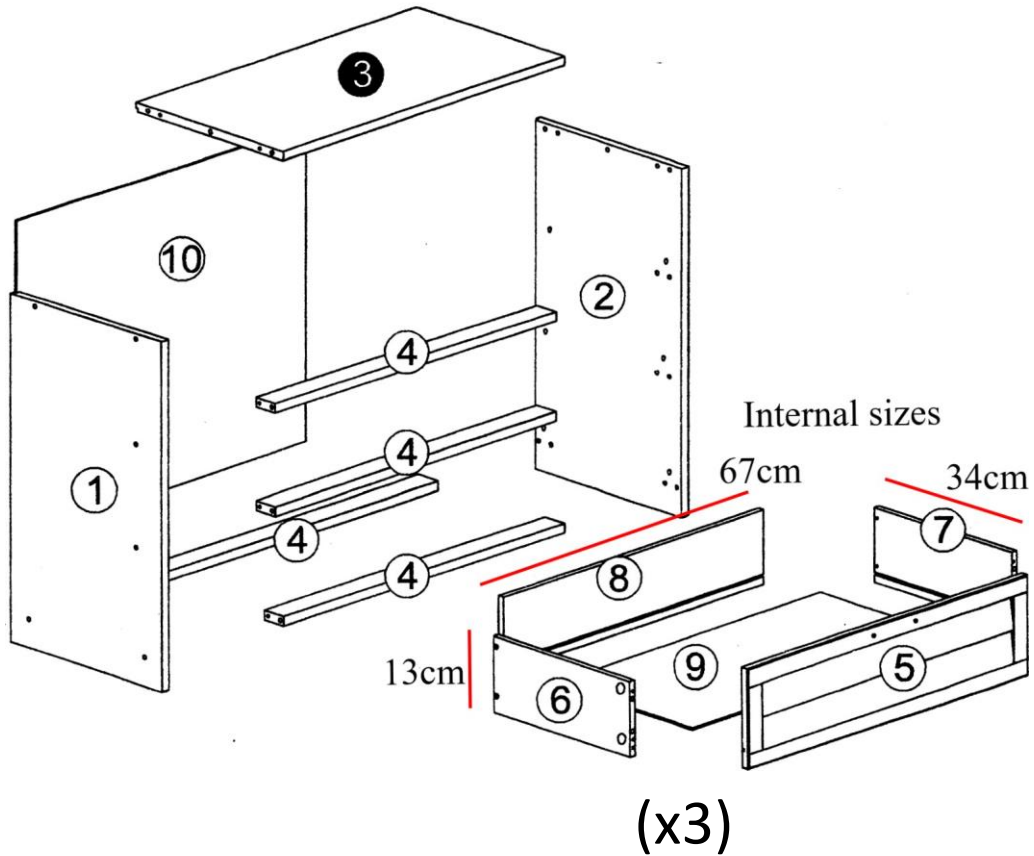
(Not included)



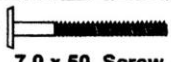
IMPORTANT:


PLEASE READ INSTRUCTION BEFORE STARTING THE ASSEMBLY

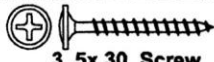
Part List - 790 3 DRAWERS CHEST LOUVER




Identifying the Hardware-identify the hardware using the illustrations below.

A  Qty **12**
7,0 x 50 Screw

B  Qty **26**
8 x 30 Wood Dowel

C  Qty **24**
3,5x 30 Screw

D  Qty **20**
8x8

E  Qty **01**
Hex Screwdriver

F  Qty **03**
Metal Knob

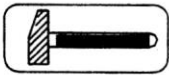
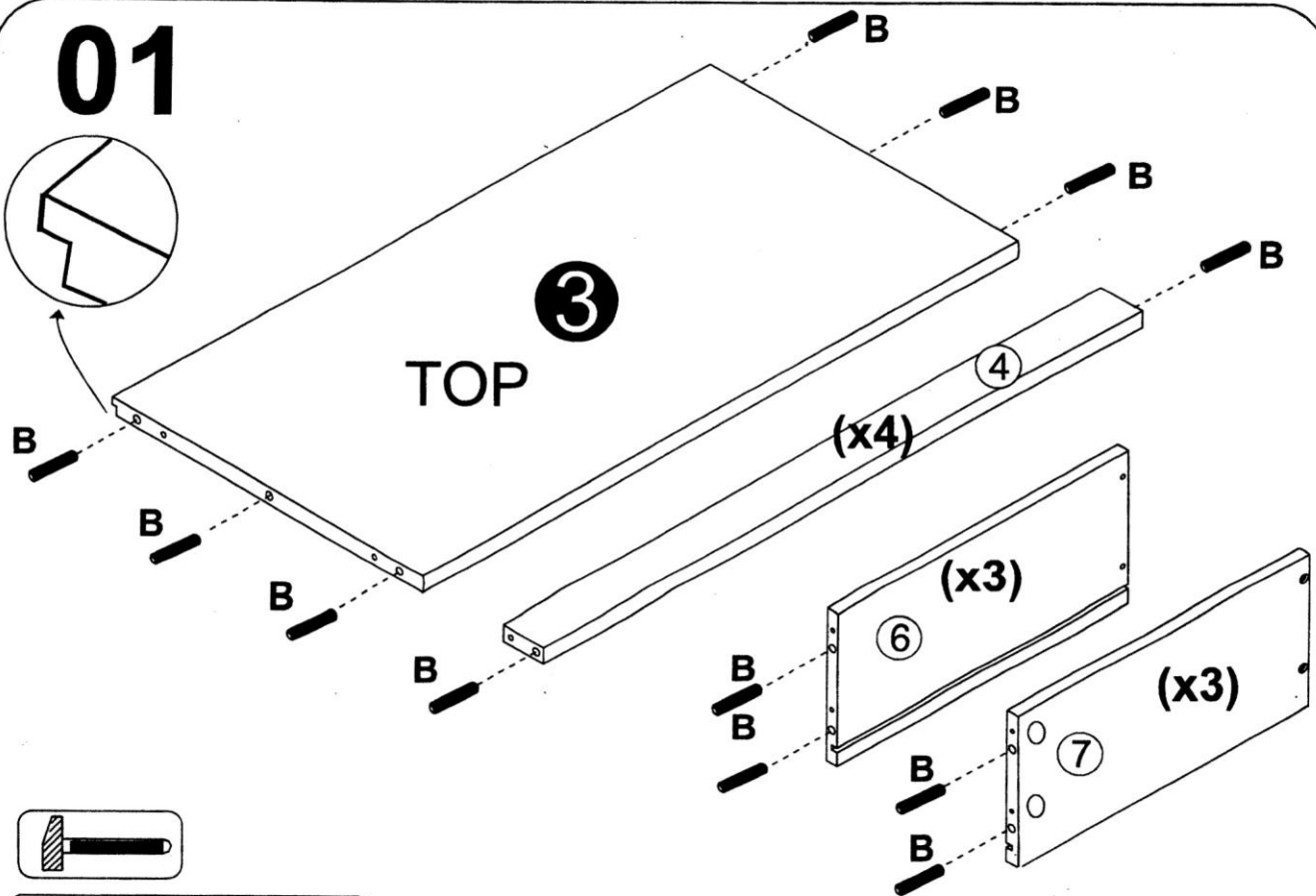
G  Qty **06**
M4X25 Screw

H  Qty **24**
6,0 x 10 Screw

i  Qty **03**
Drawer Runner 350mm

J  Qty **03**
Drawer Runner 350mm

01

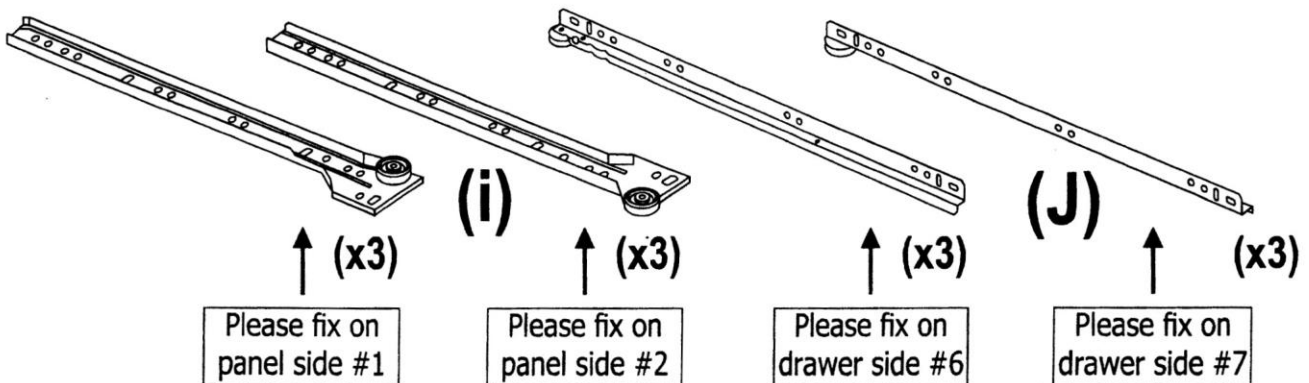


B  Qty **26**
8 x 30 Wood Dowel

SET OF METAL SLIDES FOR THE DRAWERS

The metal glides hardware are all in one packed. Please separate the left and right pieces like a pair.

- The glides # **I** are used on chest panel side and has a left and right pieces.
- The glides # **J** are used on drawers side, also has a left and right pieces.



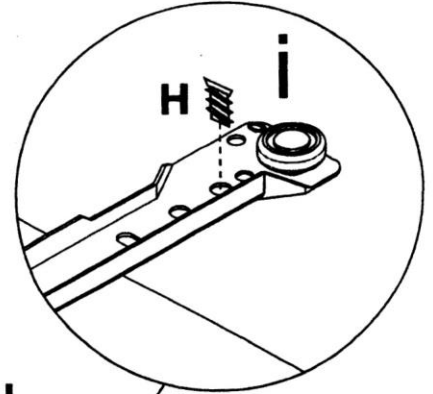
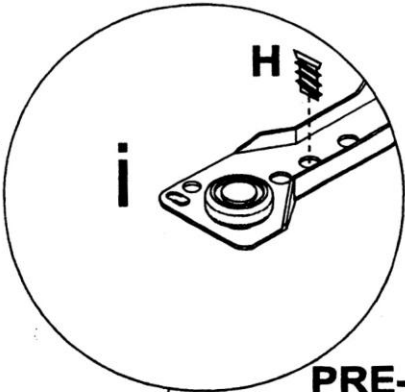
02



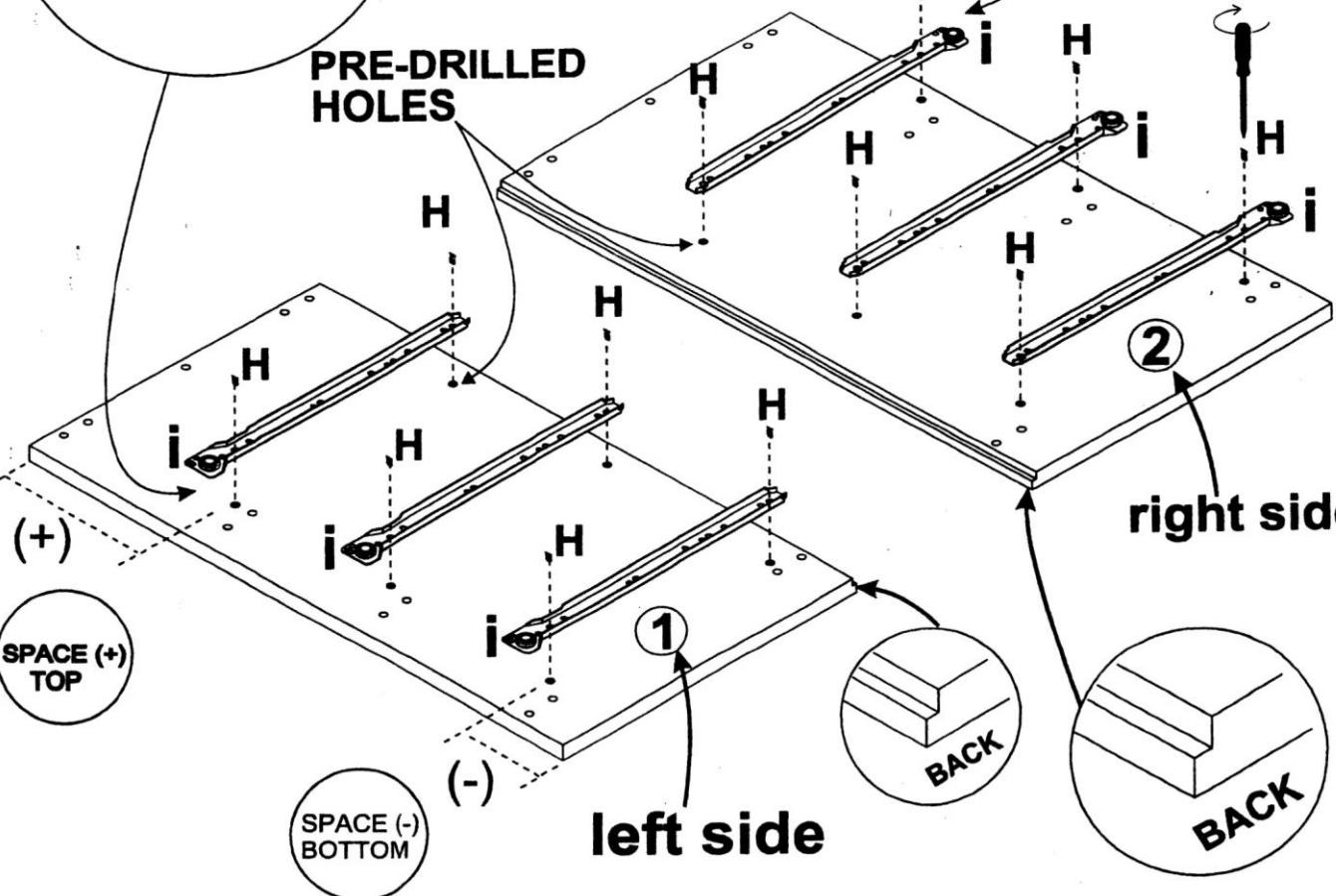
The wheel to the front !



The wheel to the front !



PRE-DRILLED HOLES

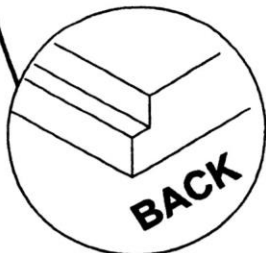


(+) SPACE (+) TOP

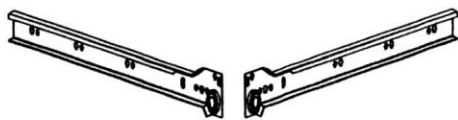
(-) SPACE (-) BOTTOM

left side

right side

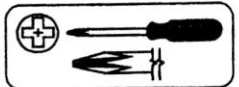


i



Drawer Runner 350mm

Qty
03



H



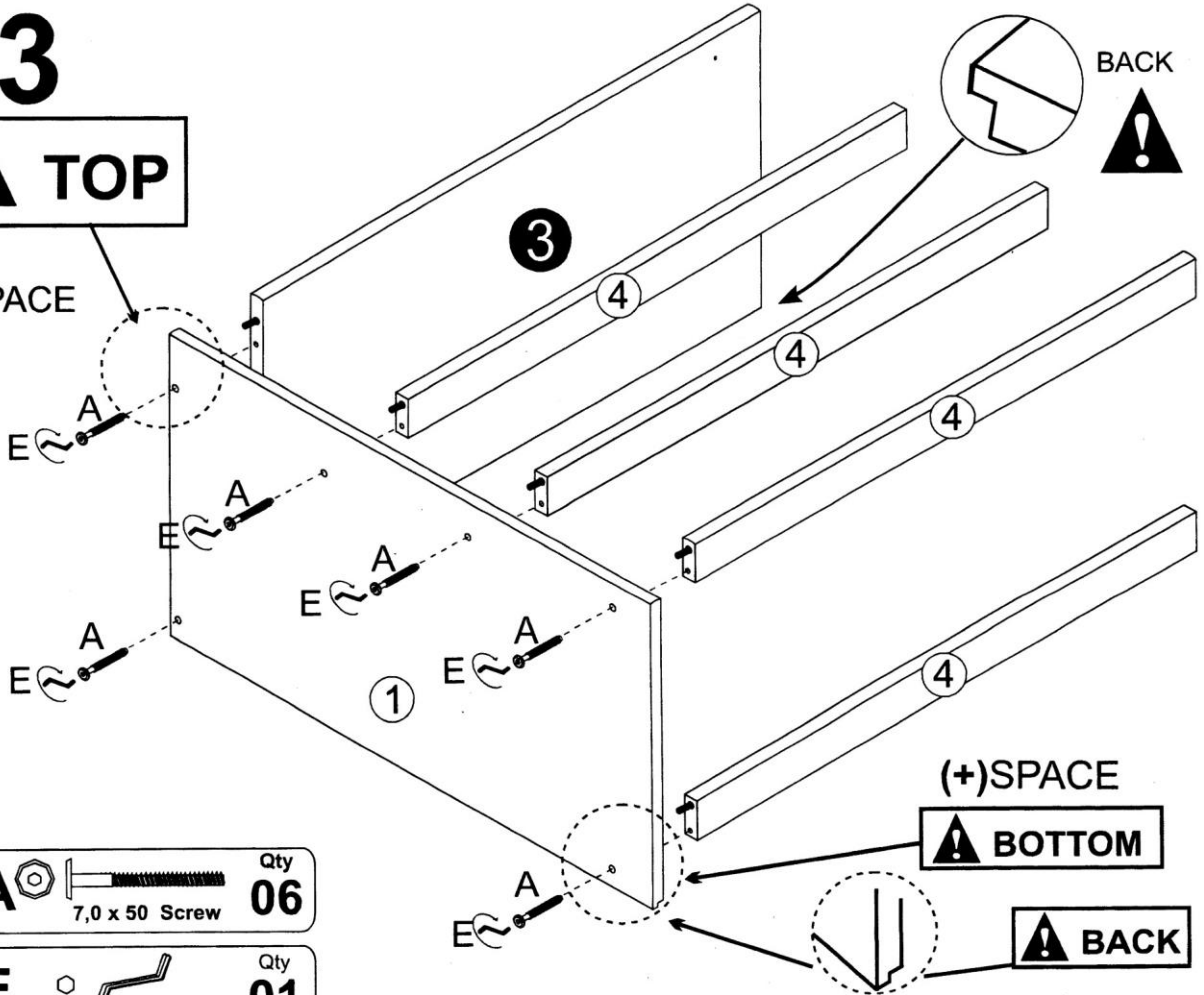
6,0 x 10 Screw

Qty
12

03

TOP

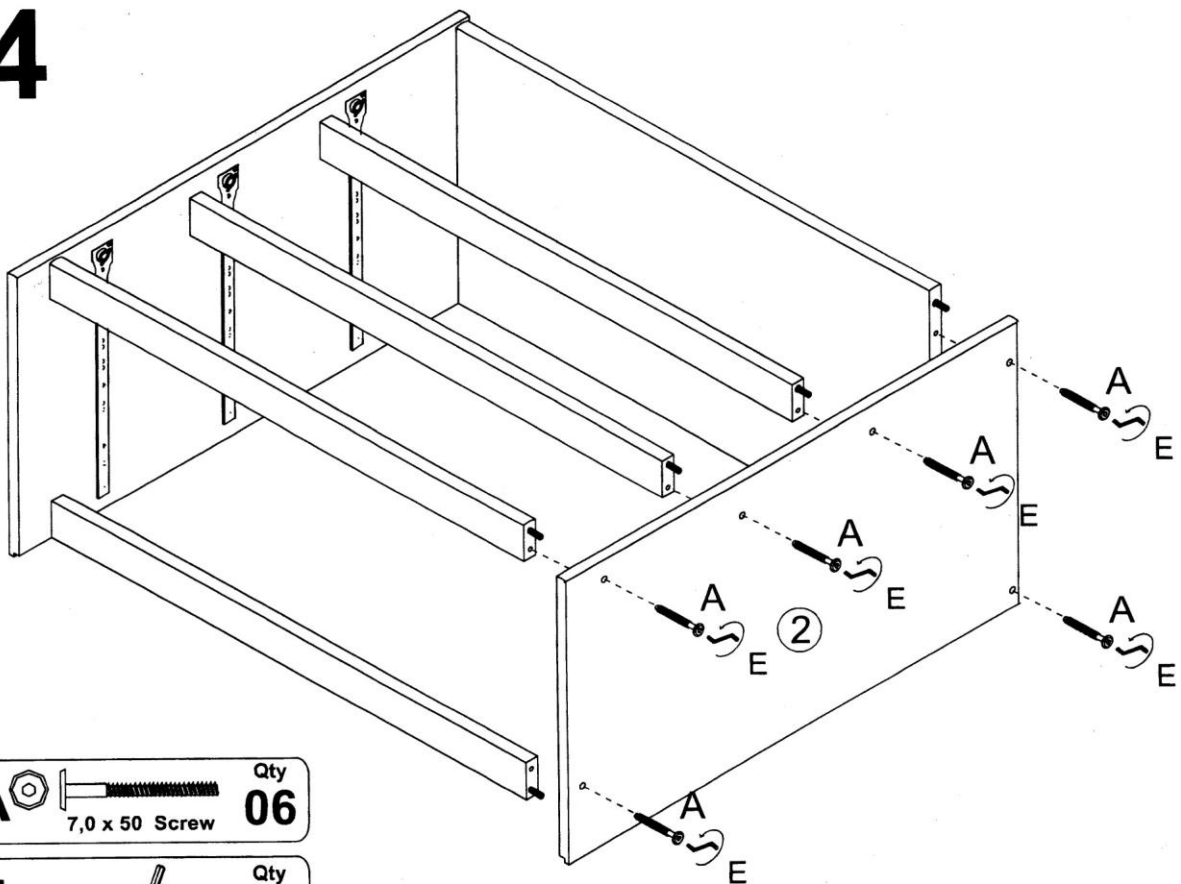
(-)SPACE



A Qty 06
7,0 x 50 Screw

E Qty 01
Hex Screwdriver

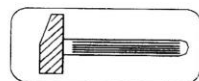
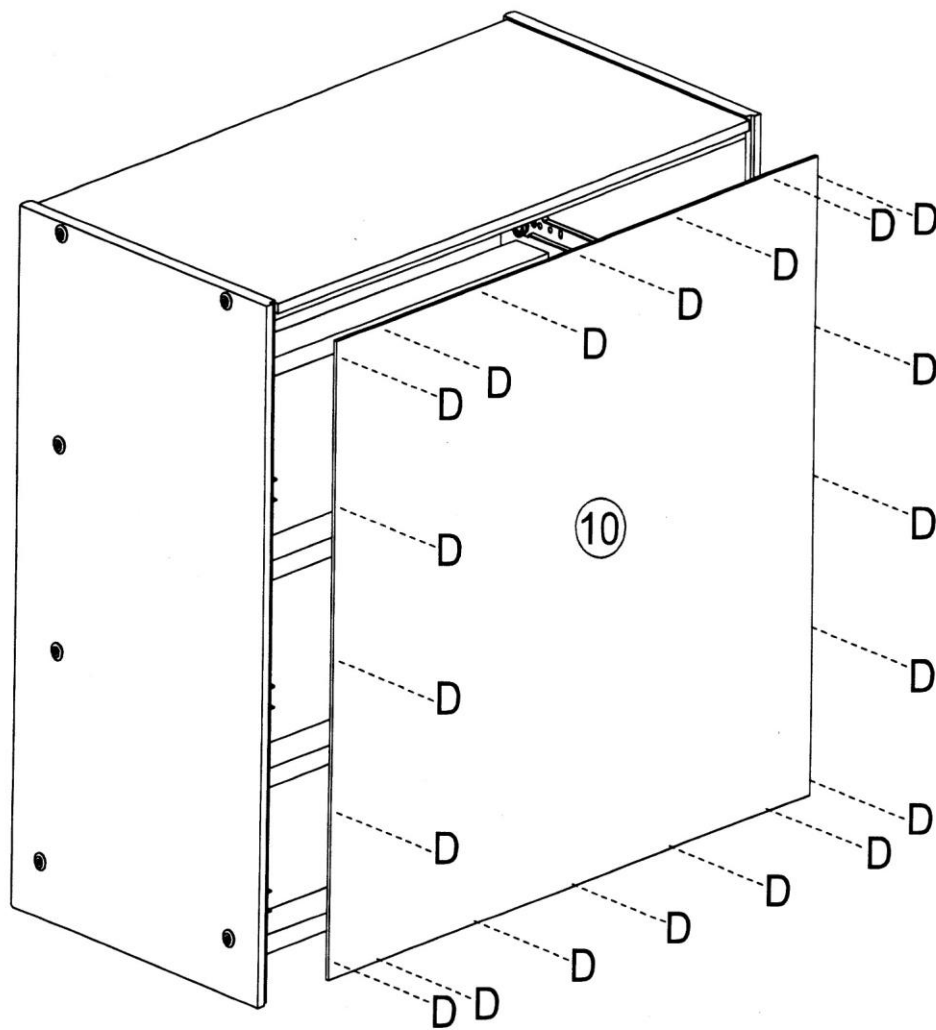
04




A Qty 06
7,0 x 50 Screw

E Qty 01
Hex Screwdriver

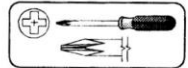
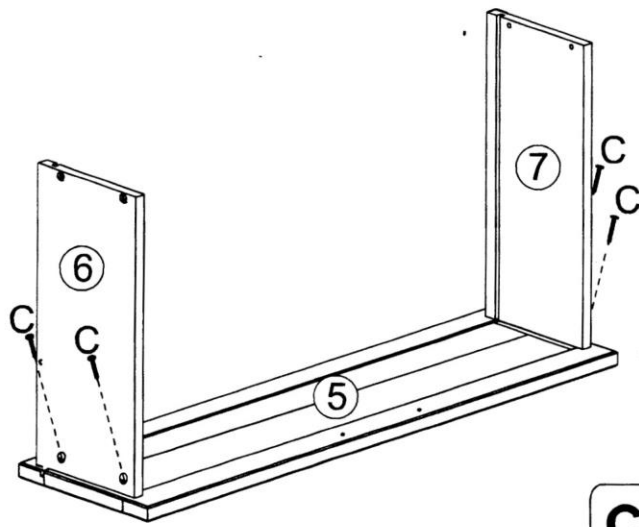
05




D  8 x 8 Qty **20**

06

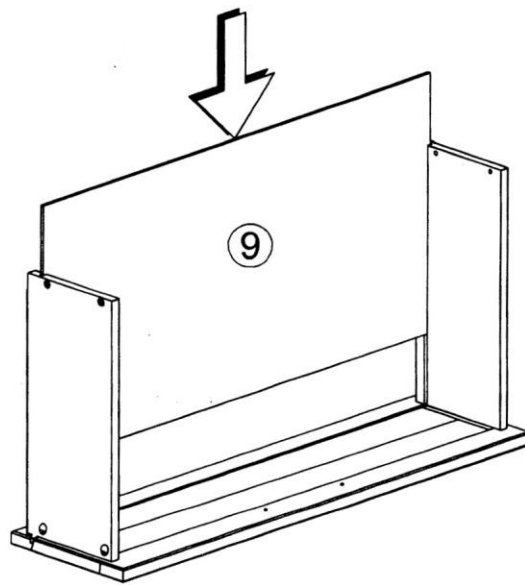
(x3)



C  3,5x 30 Screw Qty **12**

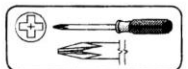
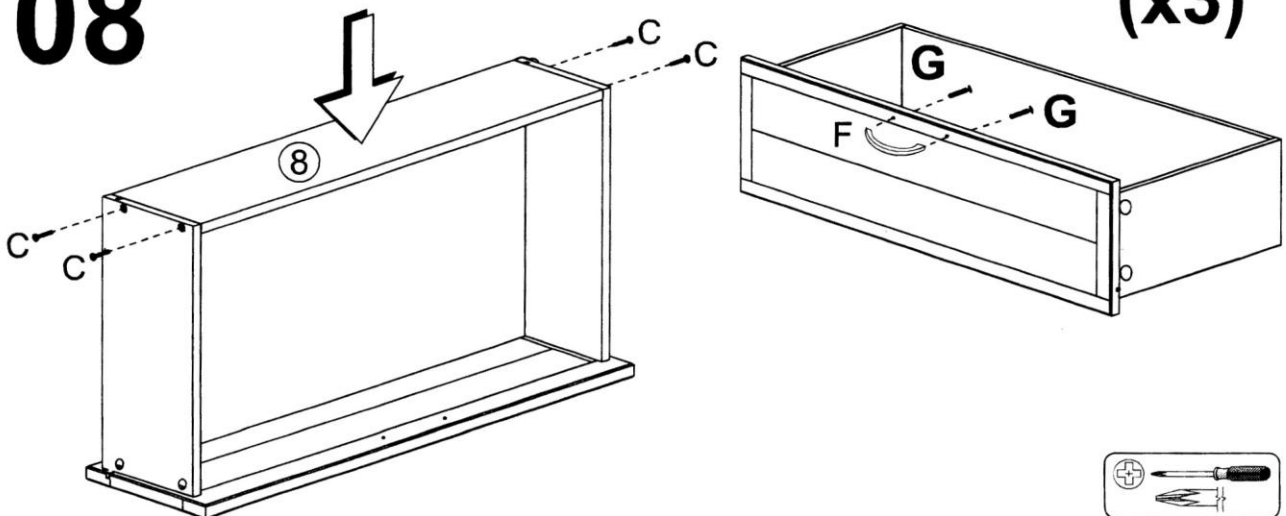
07


(x3)




08

(x3)



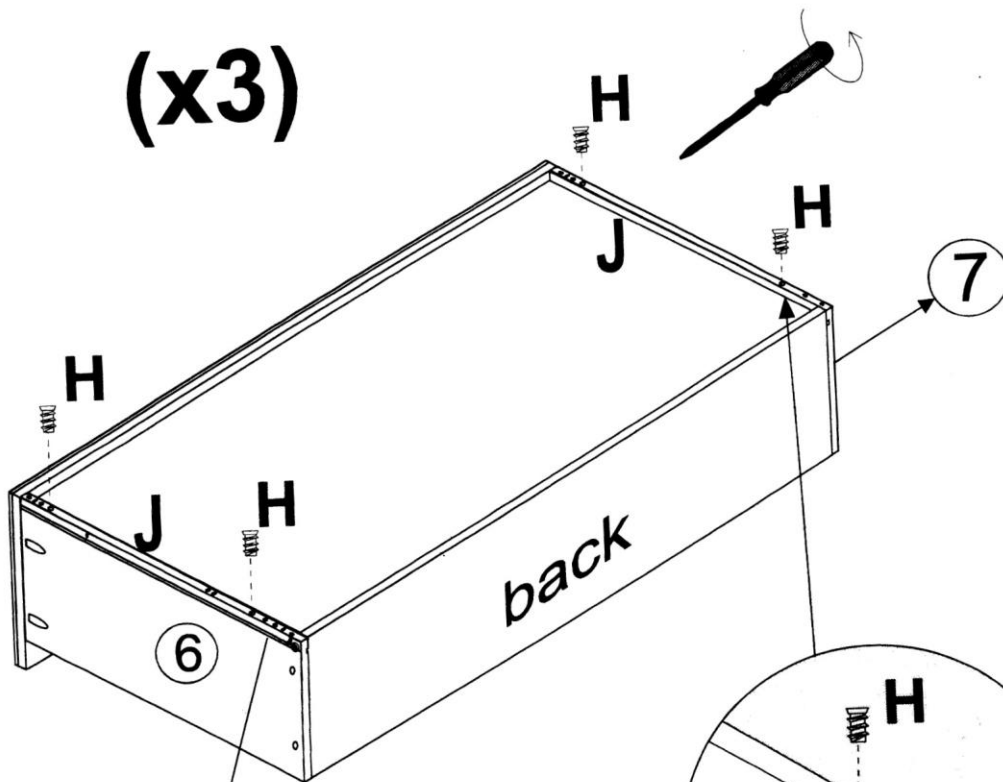
C  3,5x 30 Screw Qty **12**

F  Metal Knob Qty **03**

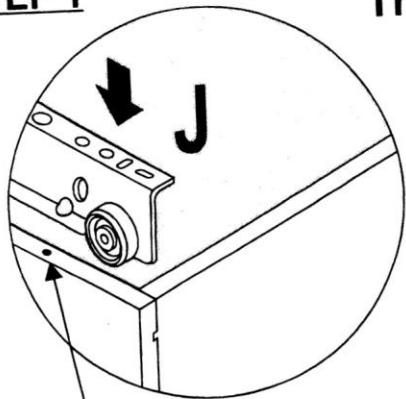
G  M4X25 Screw Qty **06**

09

(x3)

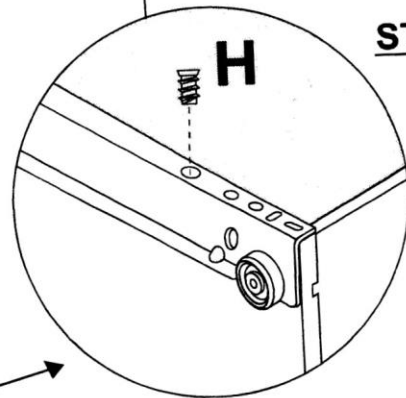


STEP 1



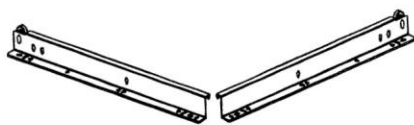
! The wheel to the back !

STEP 2



! PRE-DRILLED HOLES

J



Drawer Runner 350mm

Qty

03

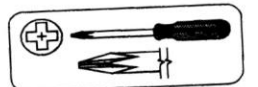
H



6,0 x 10 Screw

Qty

12



10

