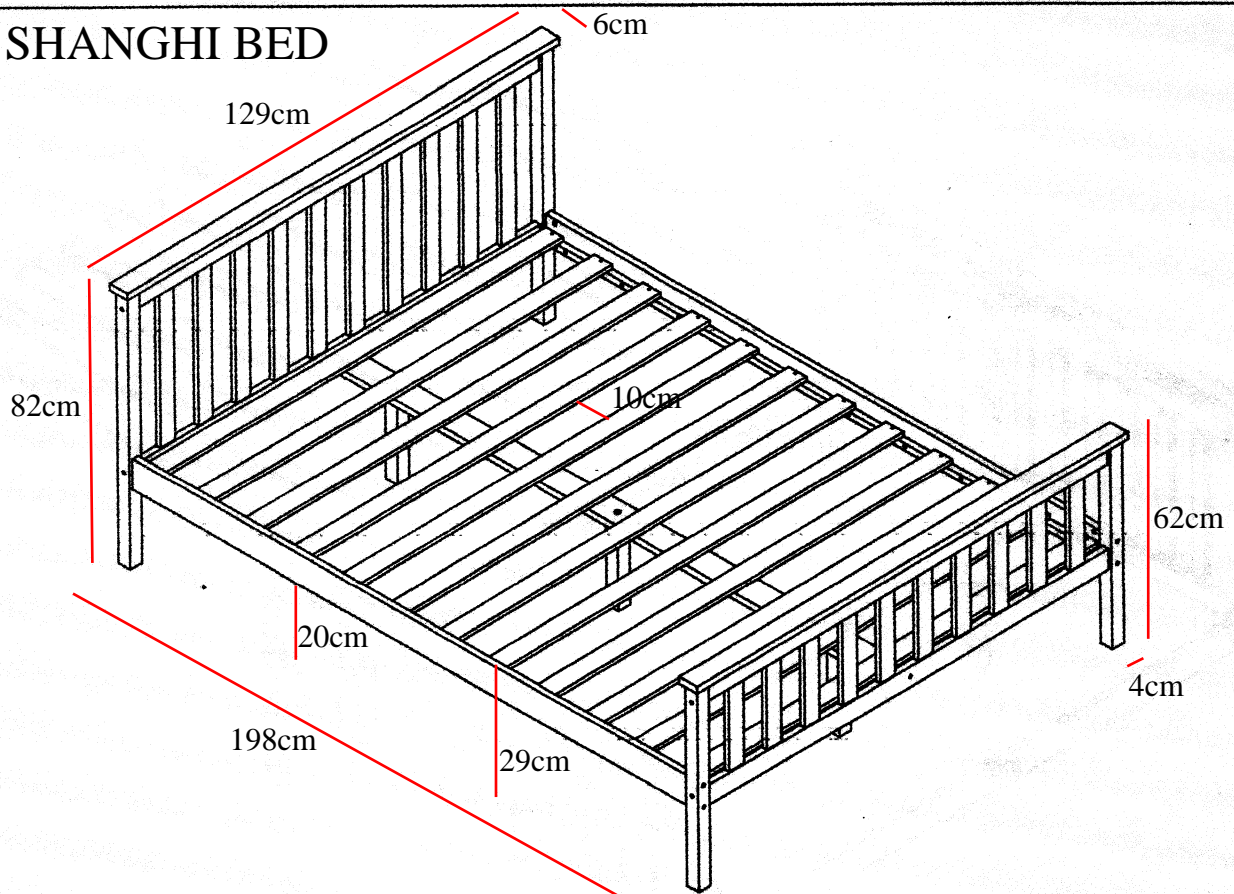

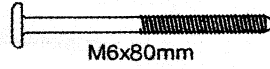

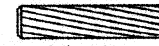



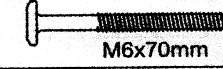

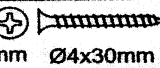



4FT SHANGHI BED

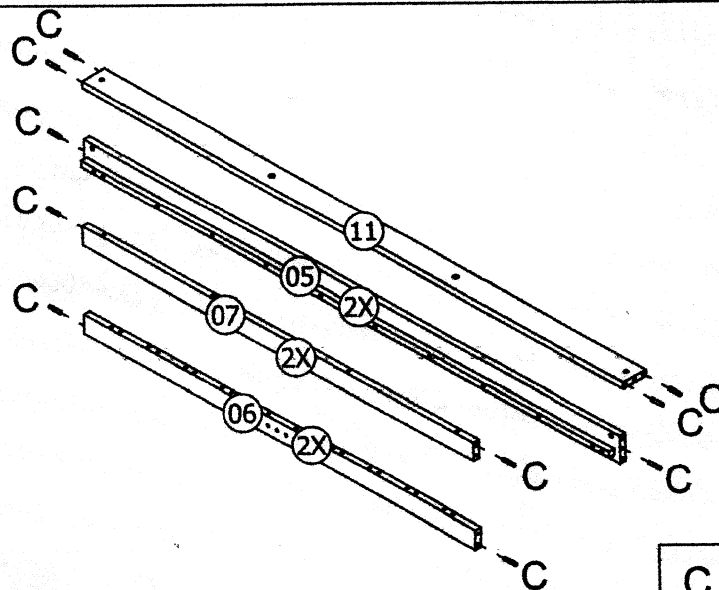


HARDWARE

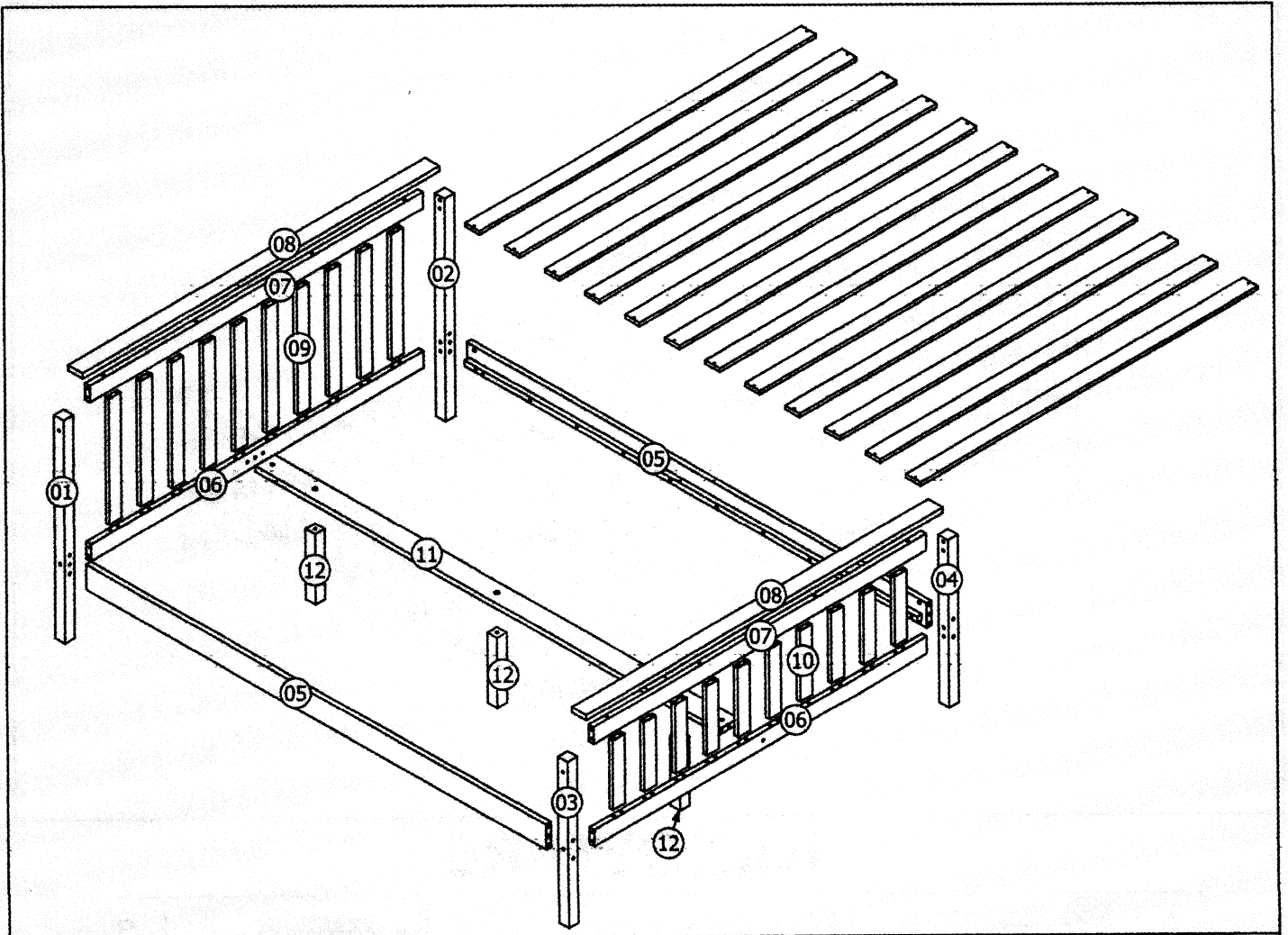
A	 15mm	 M6x80mm	16
B			16
C		 Ø8x30mm	128
D		 15mm	16
J		 12mm	2

E	 15mm	 M6x70mm	8
F			1
G		 8mm Ø4x30mm	24
H		 Ø7x60	5

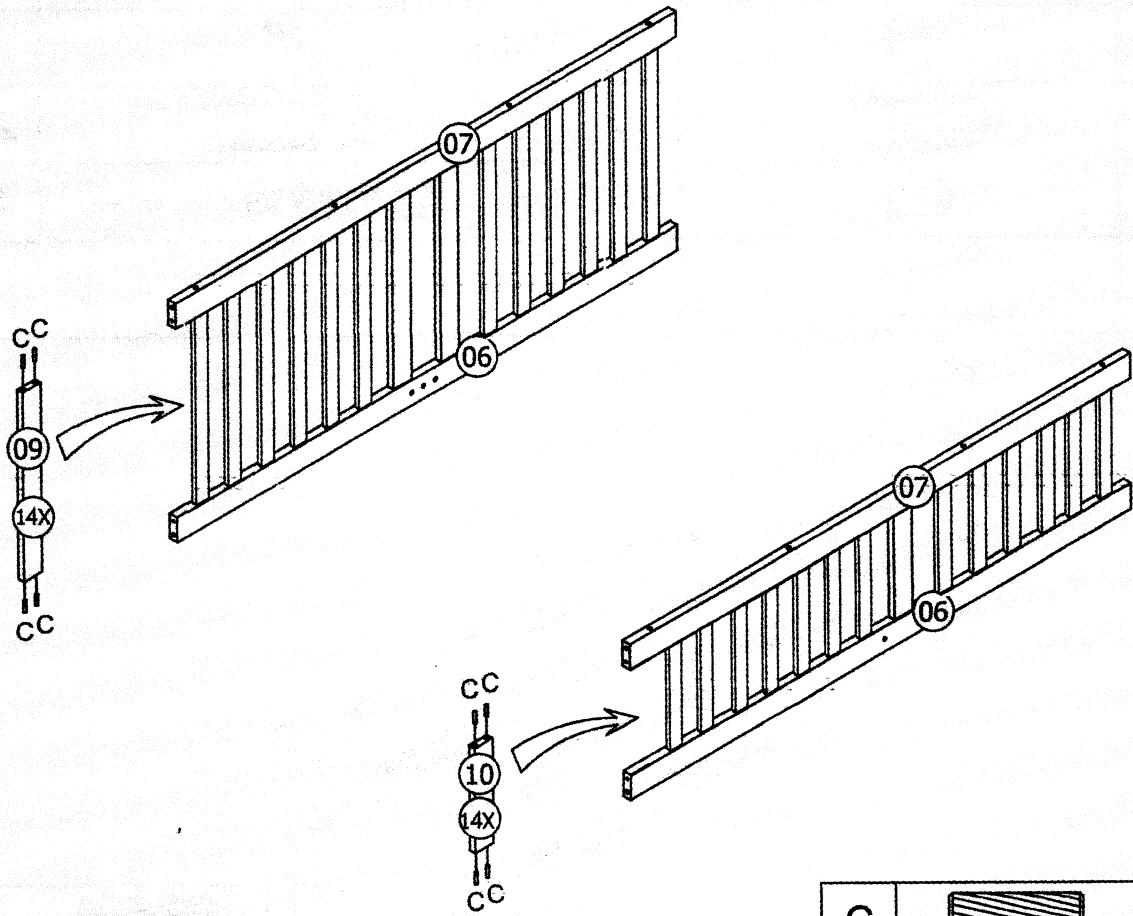
01




C	 Ø8x30mm	16
---	---	----

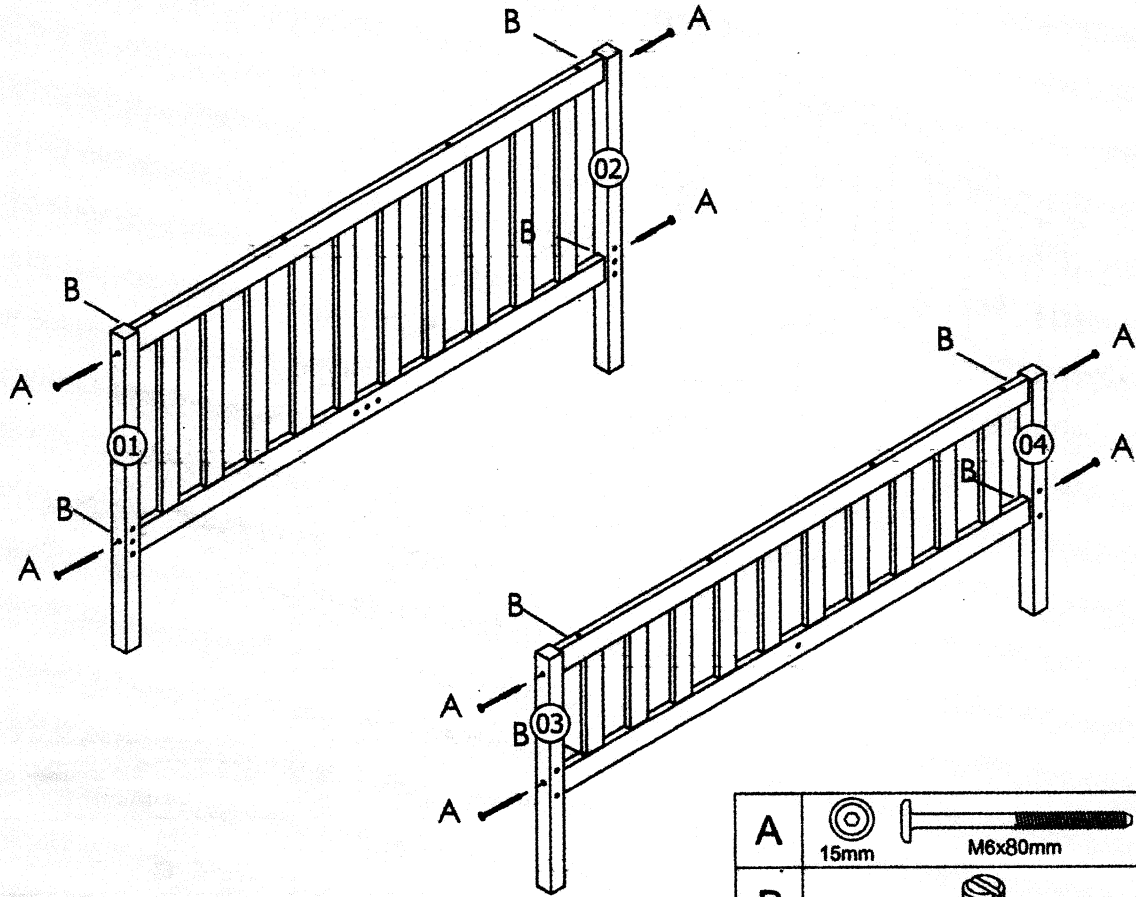



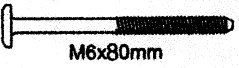

02



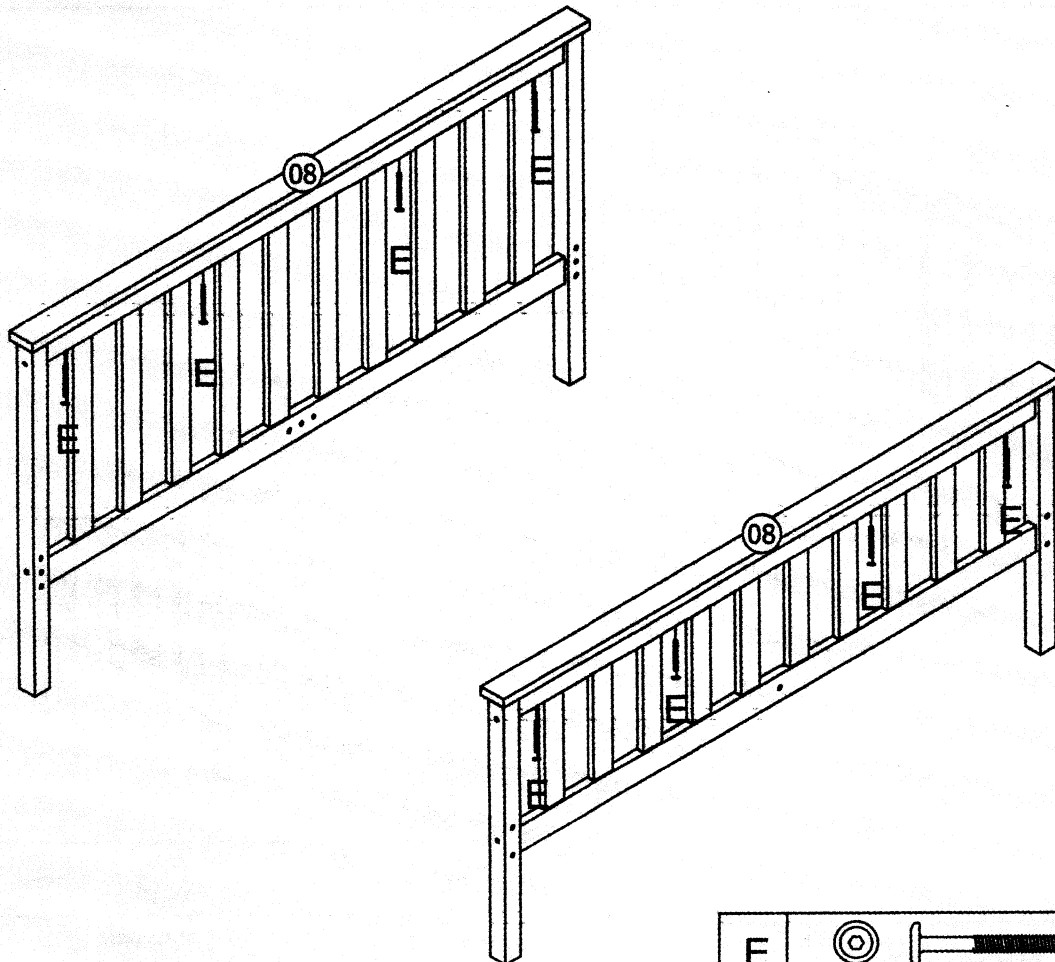
C	 Ø8x30mm	112
---	--	-----


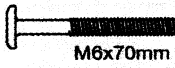
03



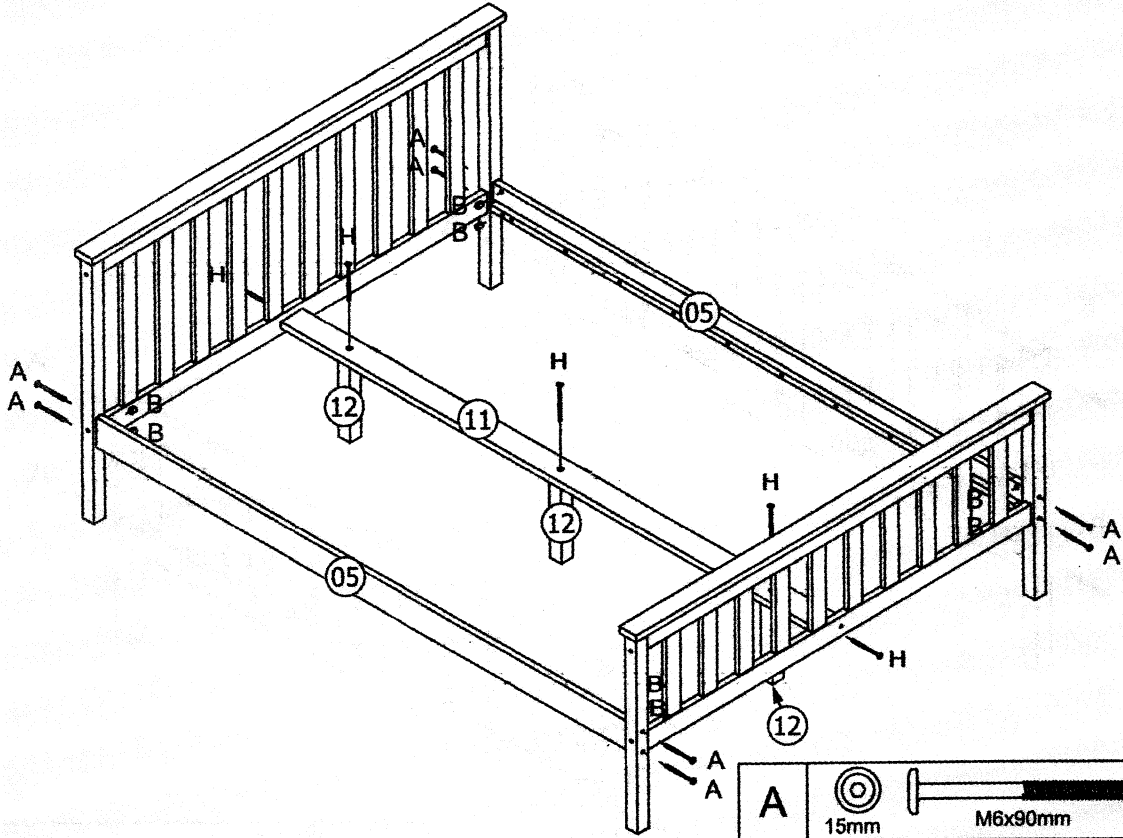
A	 	8
B		8




04



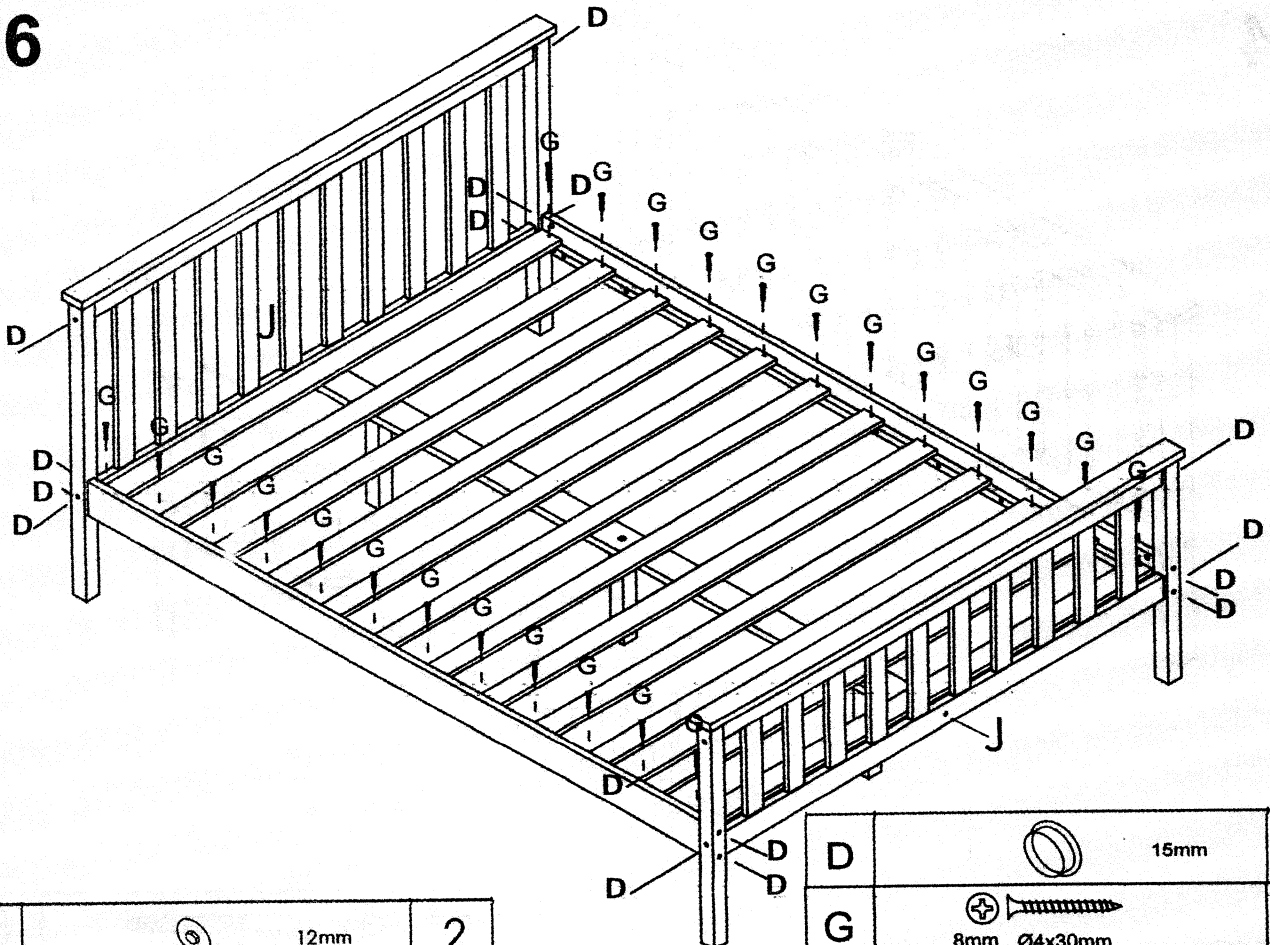
E	 	8
---	---	---


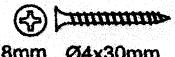
05




A	 M6x90mm	08
B		08
H	 $\varnothing 7 \times 60$	05

06



D	 15mm	16
G	 8mm $\varnothing 4 \times 30$ mm	24

J	 12mm	2
---	--	---