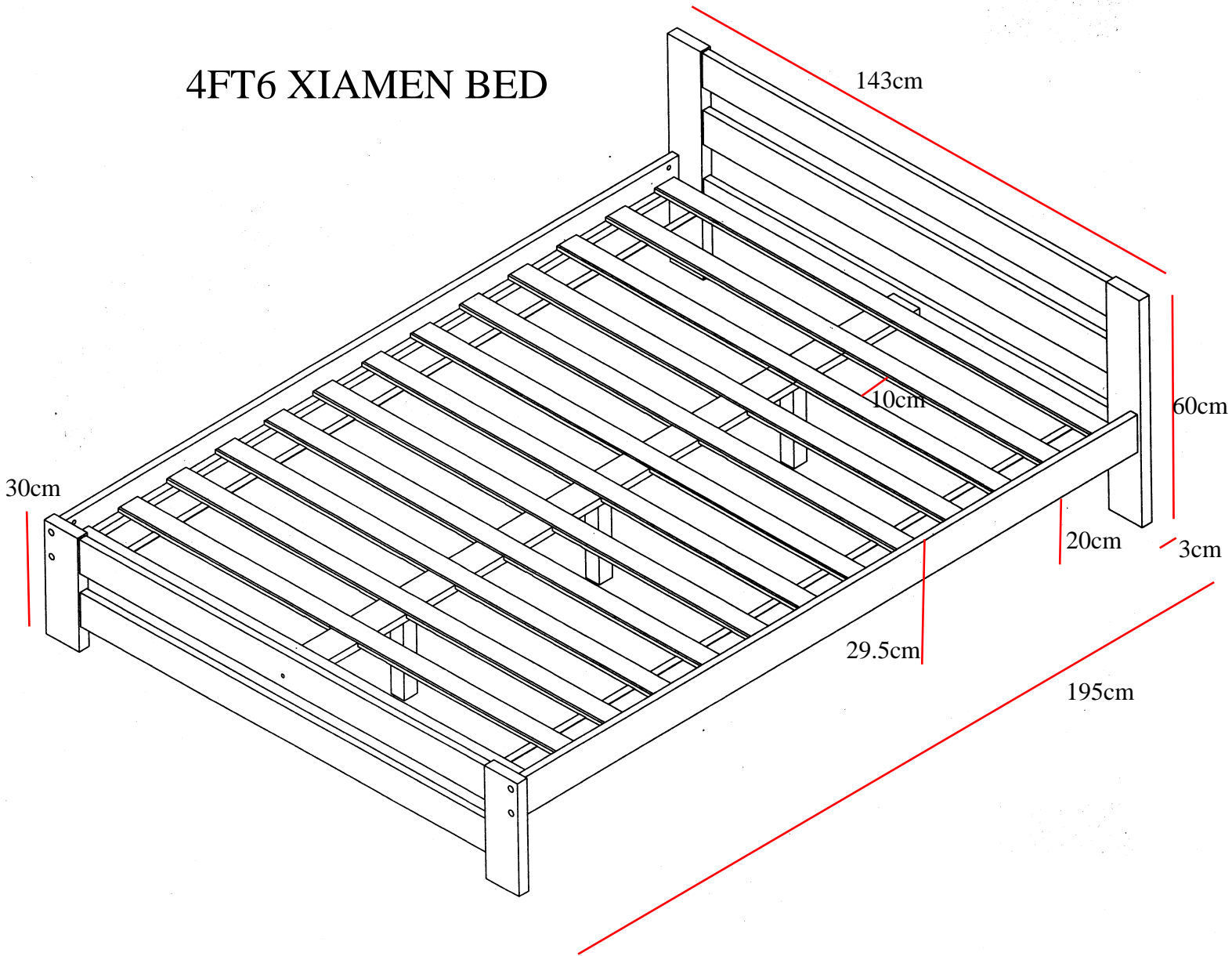







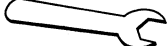




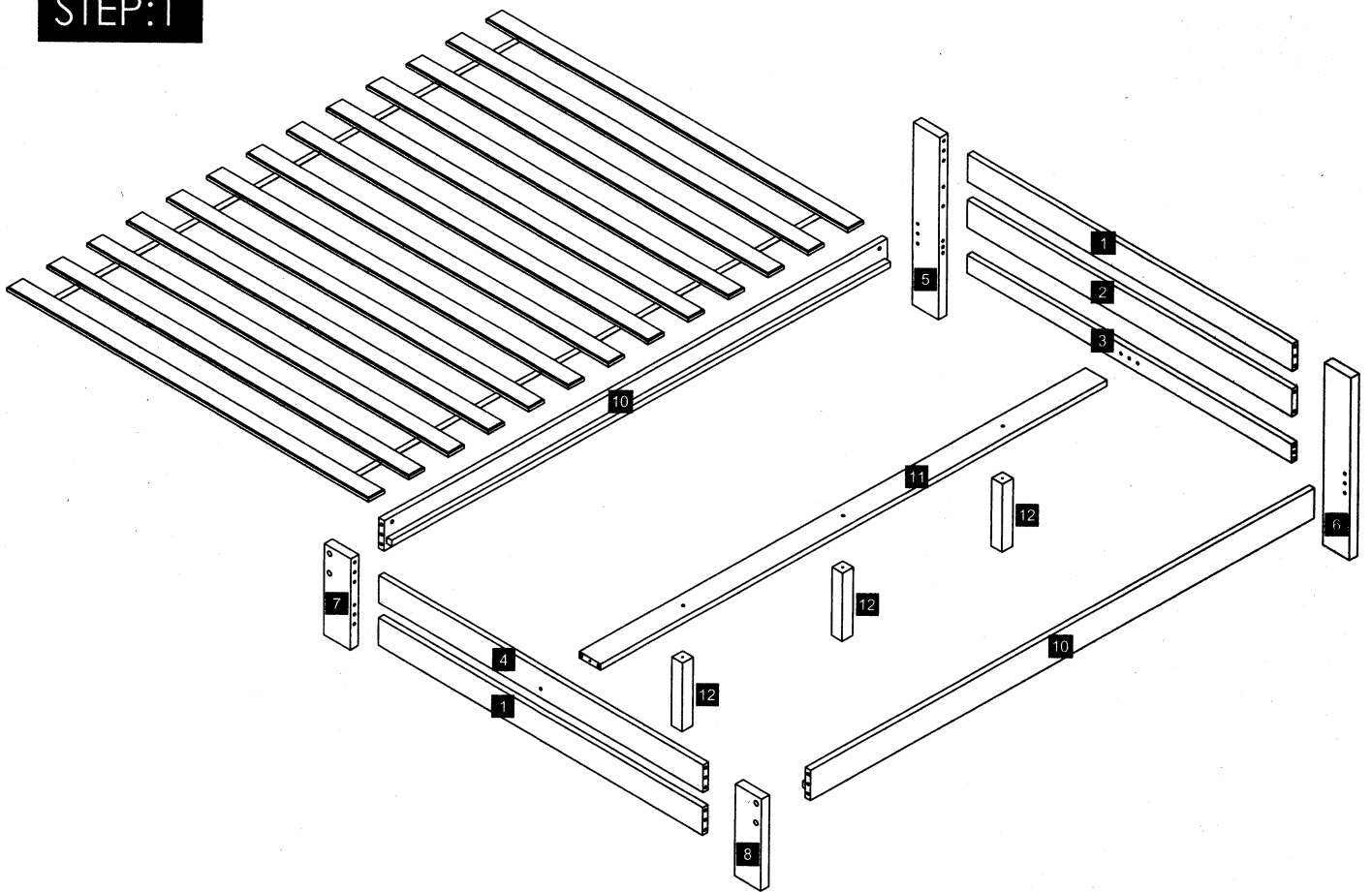
4FT6 XIAMEN BED



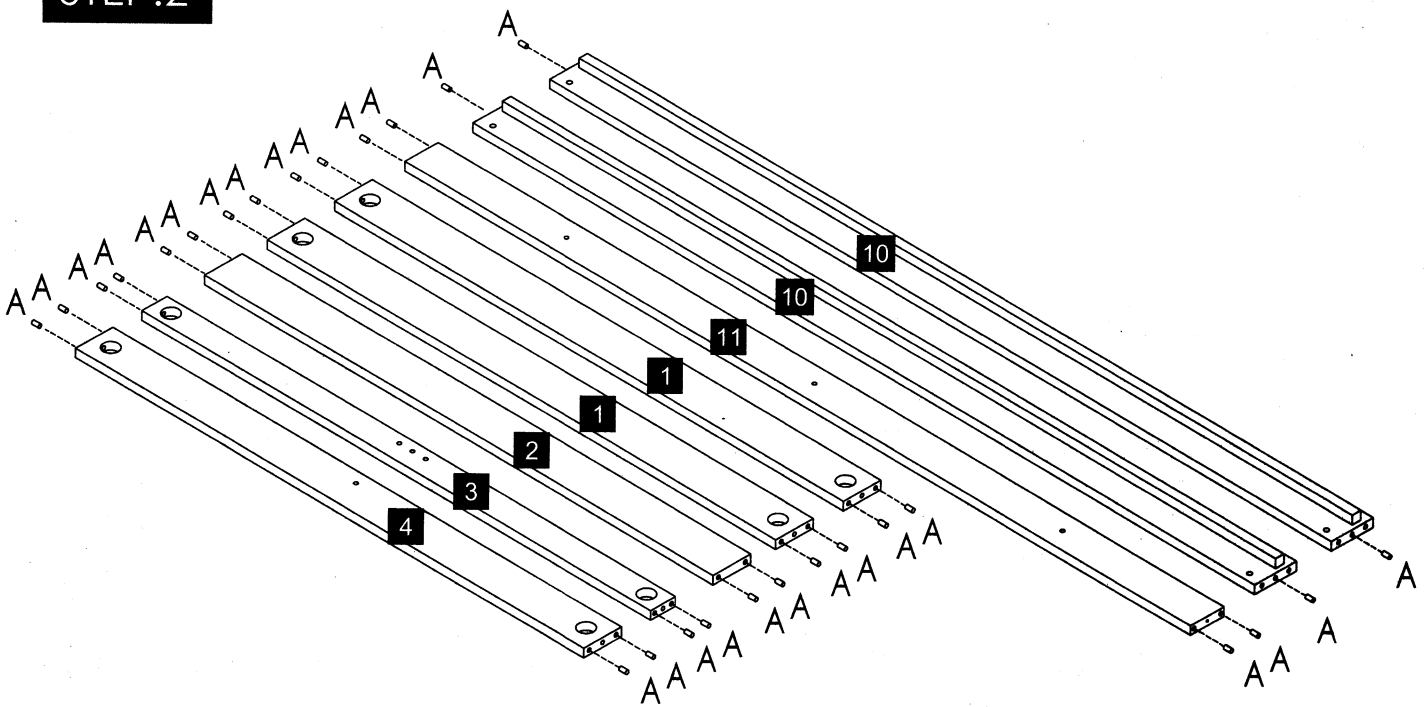
A		Φ8*30	28
B		M6*60	8
C		M6*70	8
D			8
E		Φ7*60	5

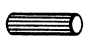
F		4*30	26
G		Φ15	8
H			1
J			1
K		Φ12	2

STEP:1

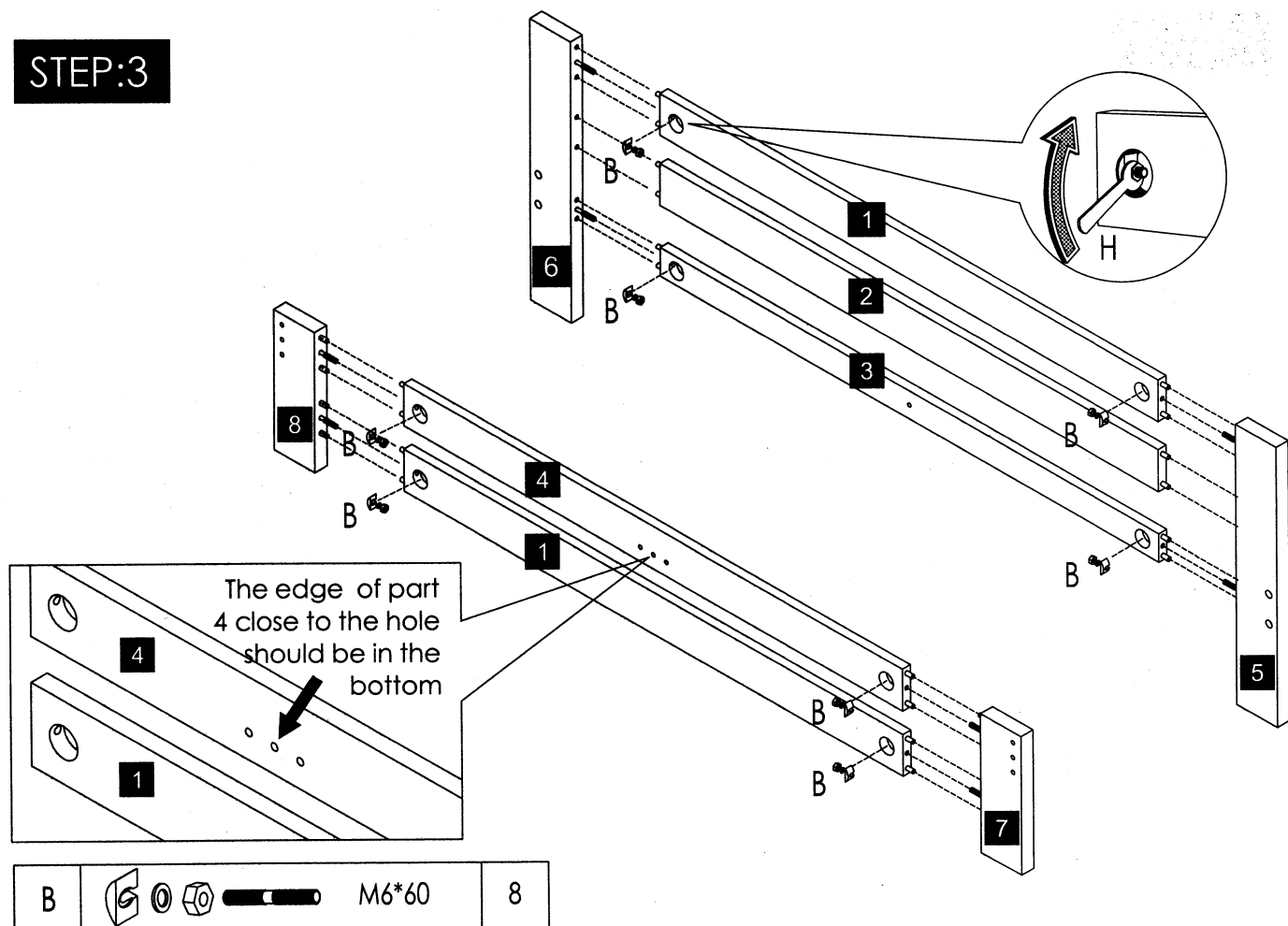


STEP:2

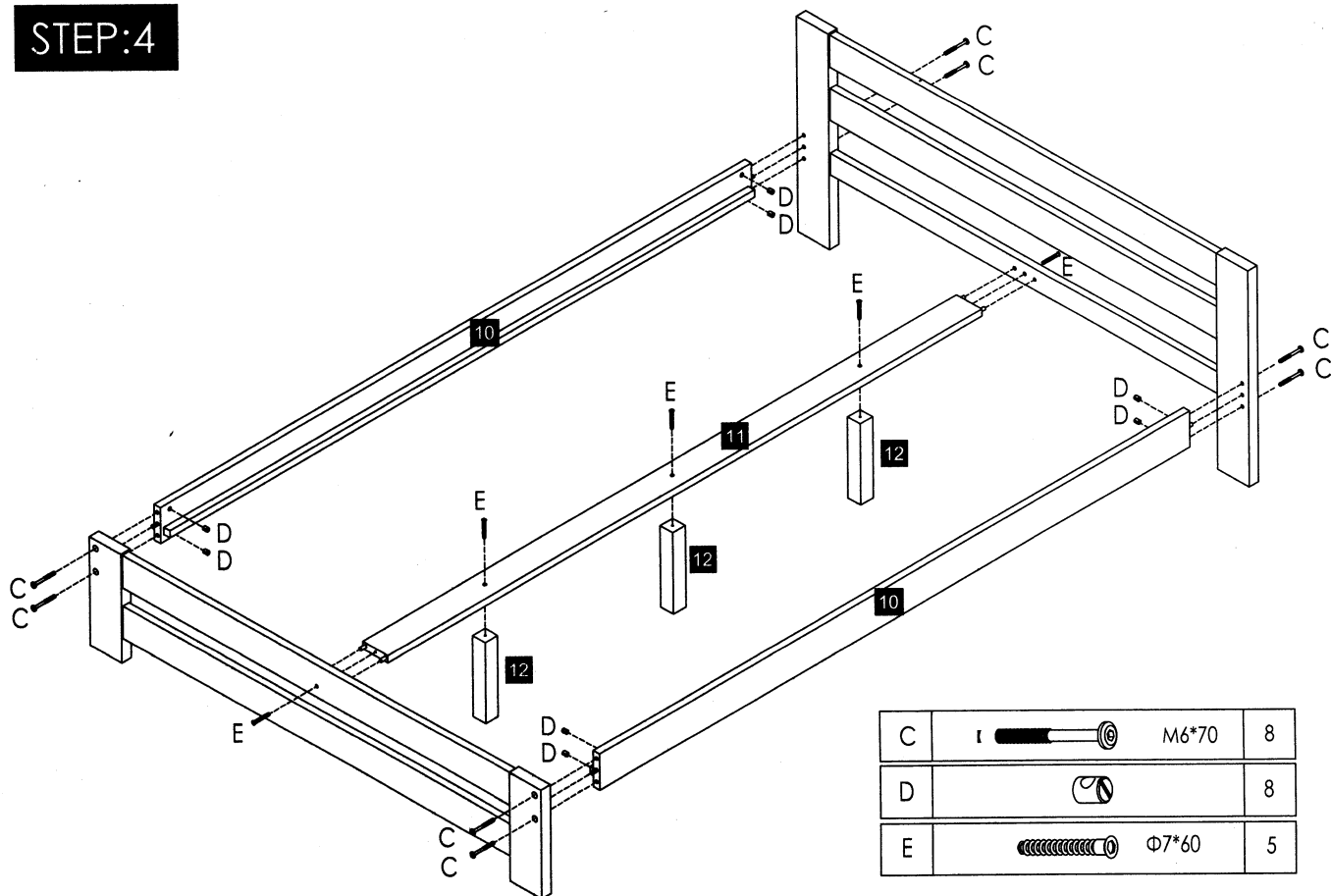


A		Φ8*30	28
---	---	-------	----

STEP:3



STEP:4



STEP:5

