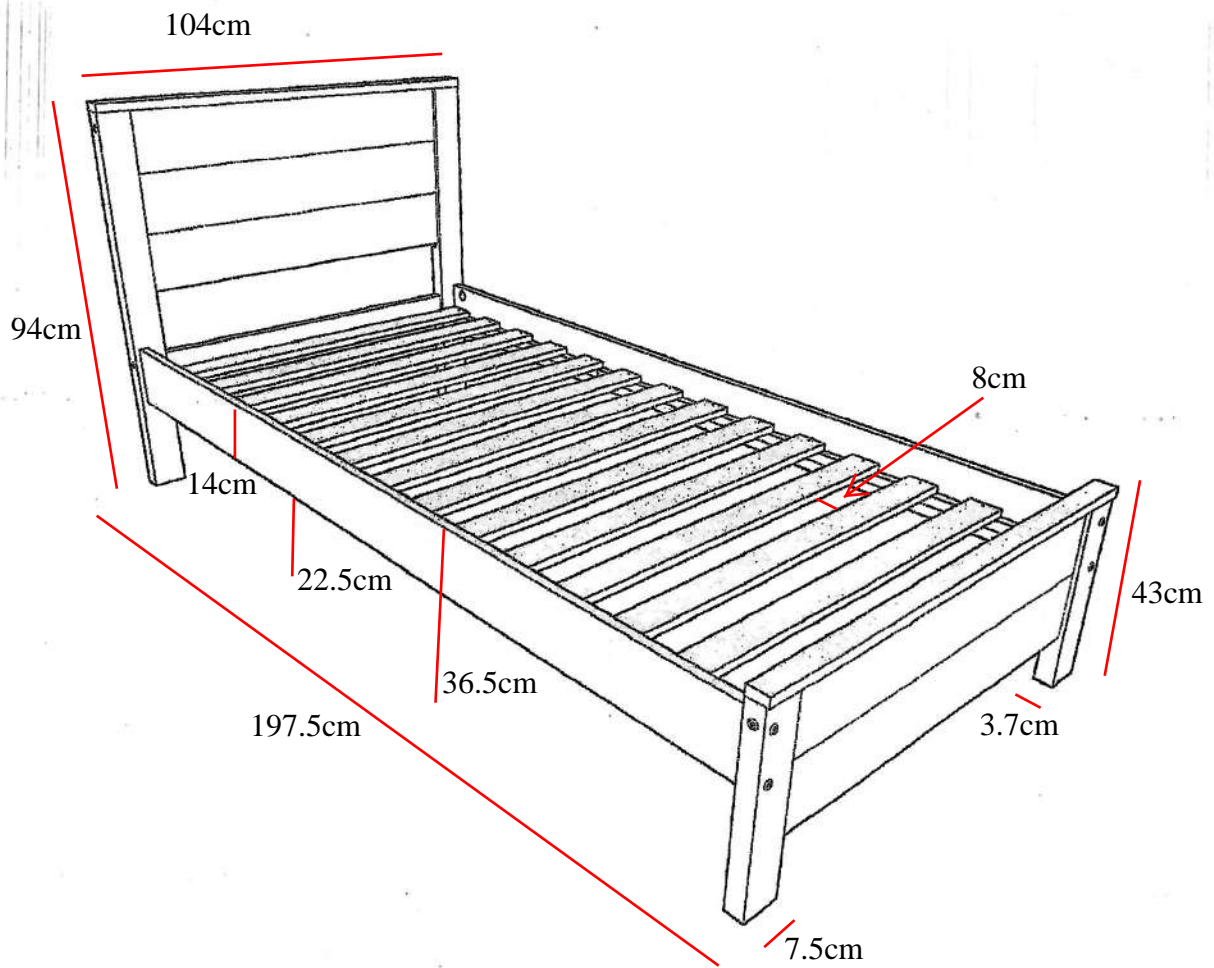


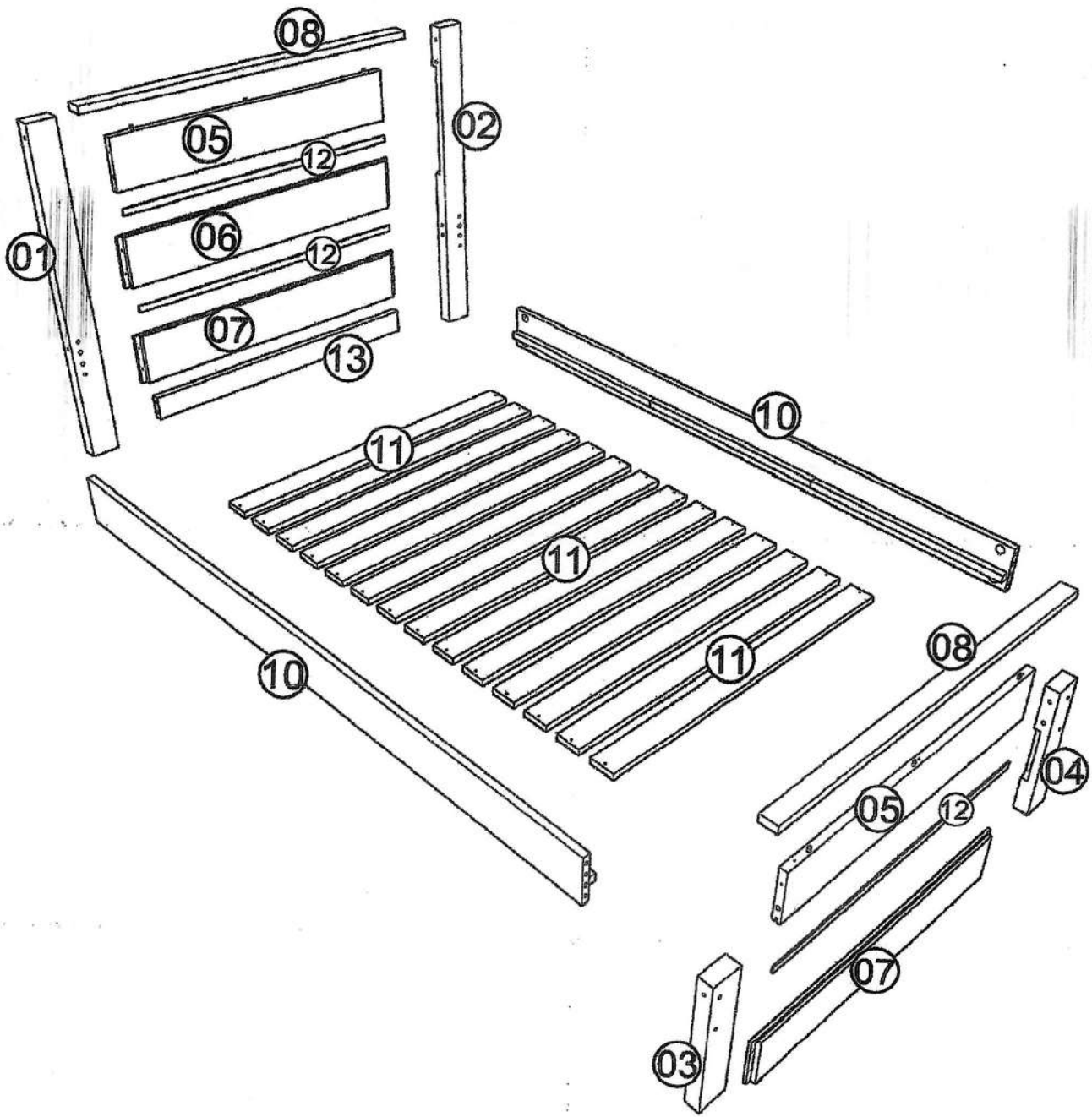
ORDER NO:
1089



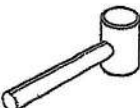
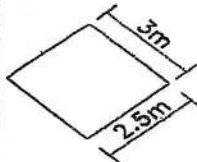
DENVER BED 3'0

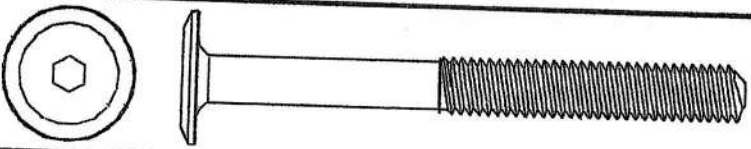
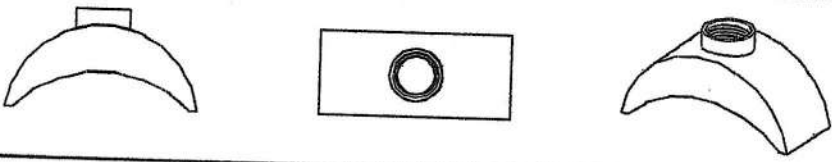
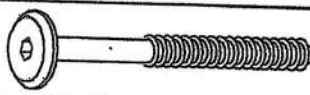

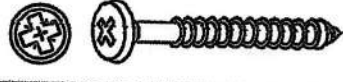
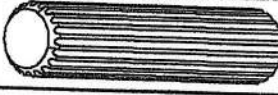


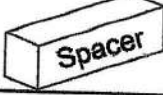


- Please assemble on a clean soft surface to avoid damage.
- Do not use power tools to assemble this product.

- Please check contents and read instructions before commencing assembly.
- Assemble this article following the enclosed instructions carefully.
- Please take care to avoid damaging panels during assembly.



ITEM	DESCRIPTION	QTY		
01	Headboard Left Foot	01		
02	Headboard Right Foot	01		
03	Footboard Left Foot	01		
04	Footboard Right Foot	01		
05	Upper Frame	01		
06	Middle Frame	02		
07	Lower Frame	03		
08	Frame	02		
10	Crossbeam	02		
11	Slats	02		
12	Junction	14		
		05		
		01		
		02		

A		08
B		08
C		06
E		01
F		34
G		14
H		06
I		12
J		02

1/4"x80

7x100

ALLEN KEY

4x30

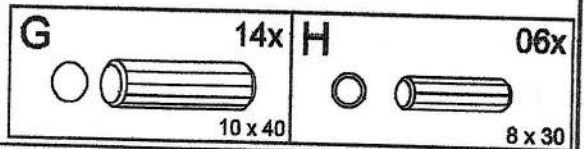
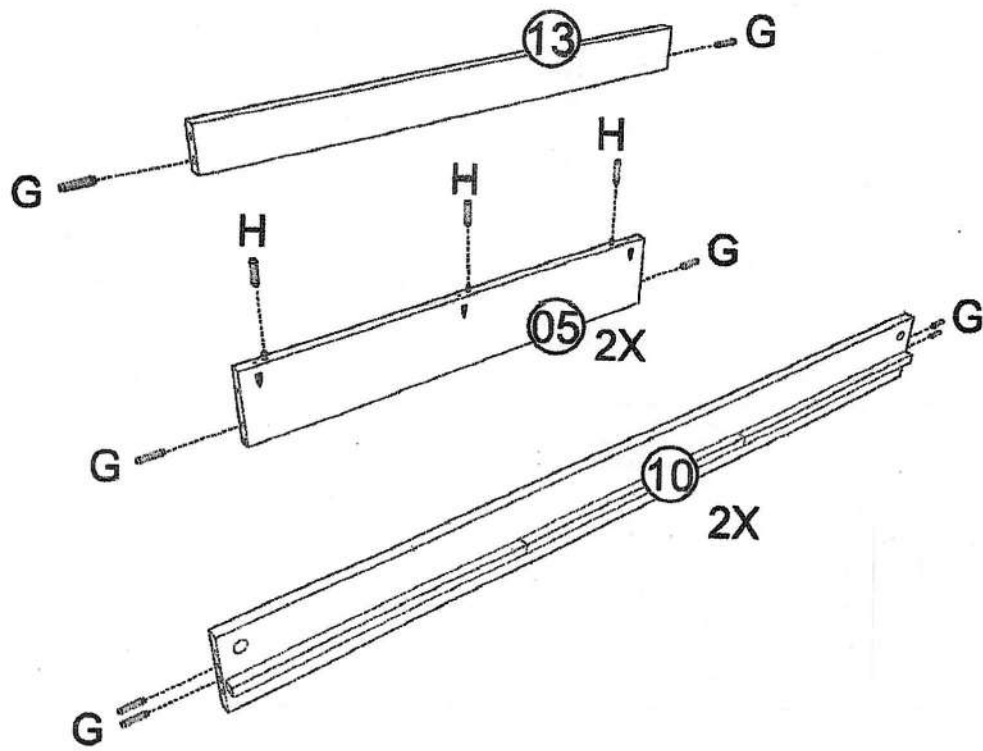
10x40

8x30

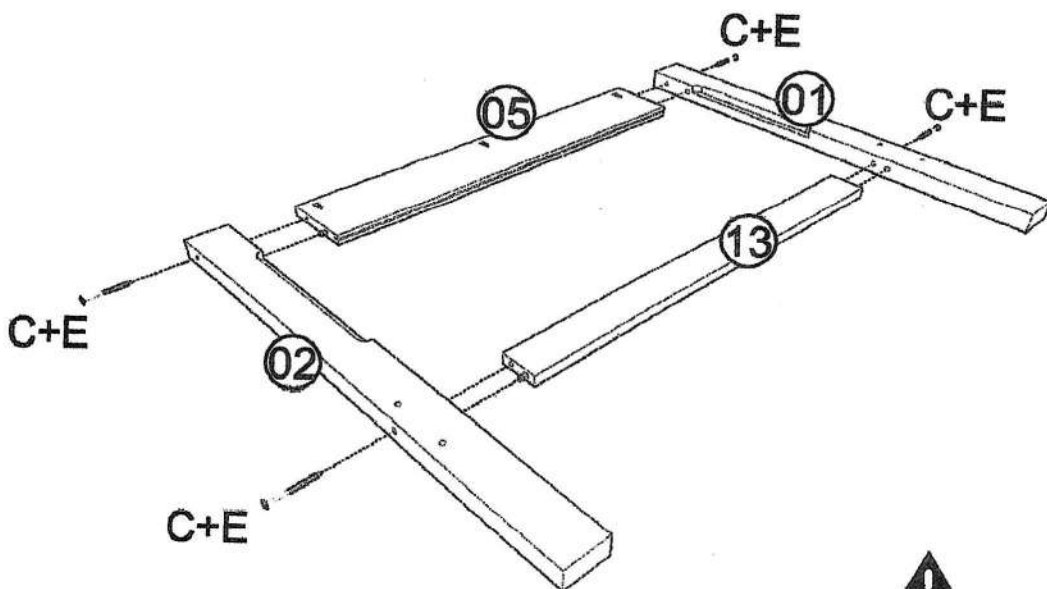
4x25


(WOODEN)

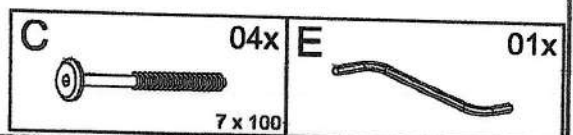
01



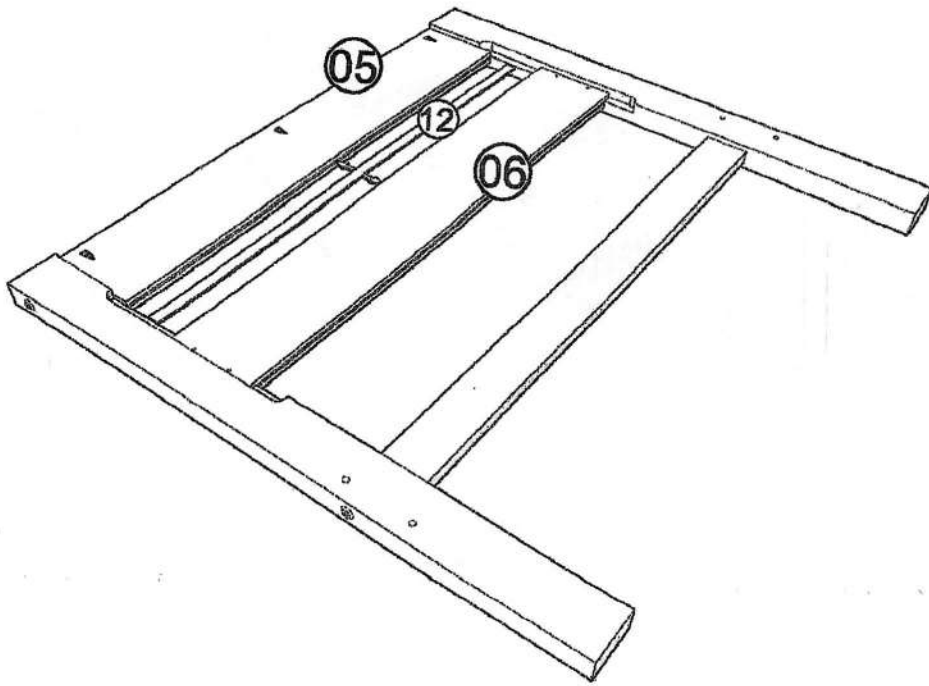
02



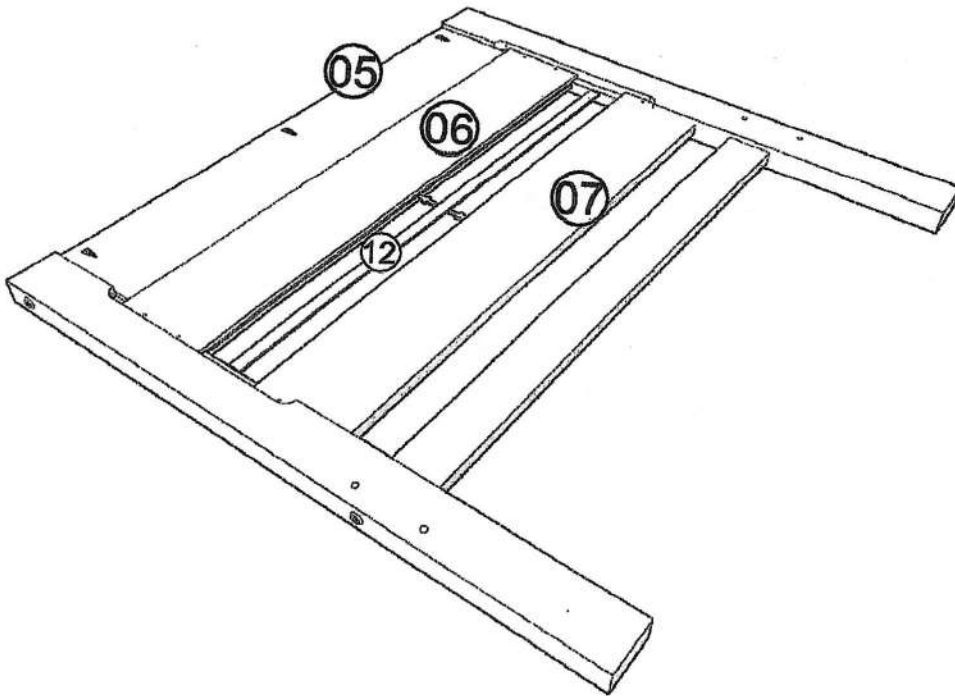

Please assemble on a soft clean surface to avoid damaging the parts.



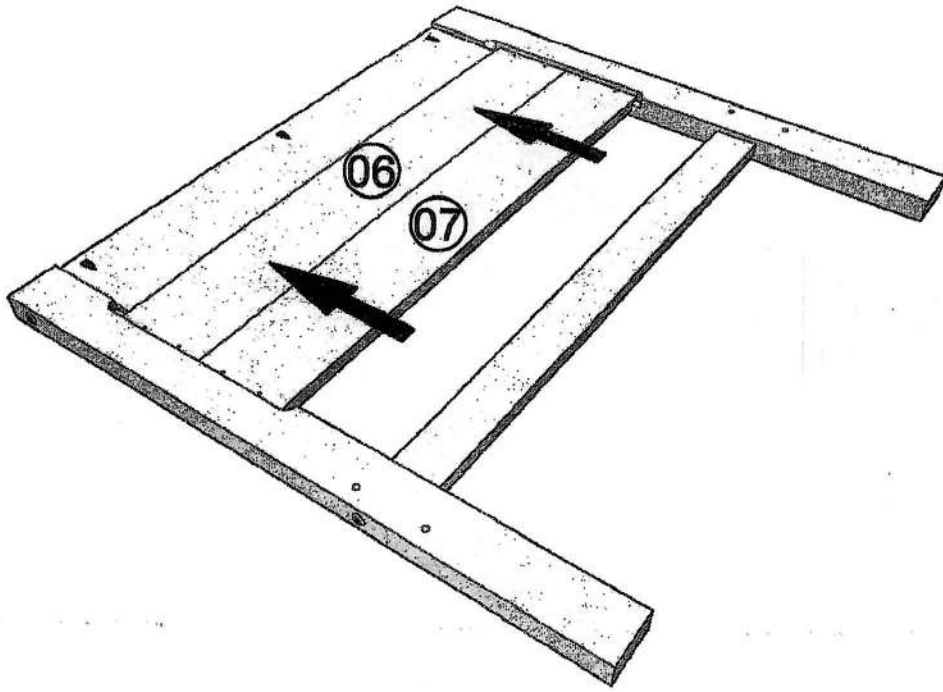
03



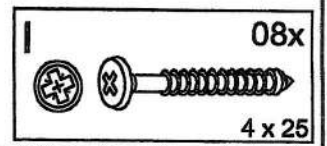
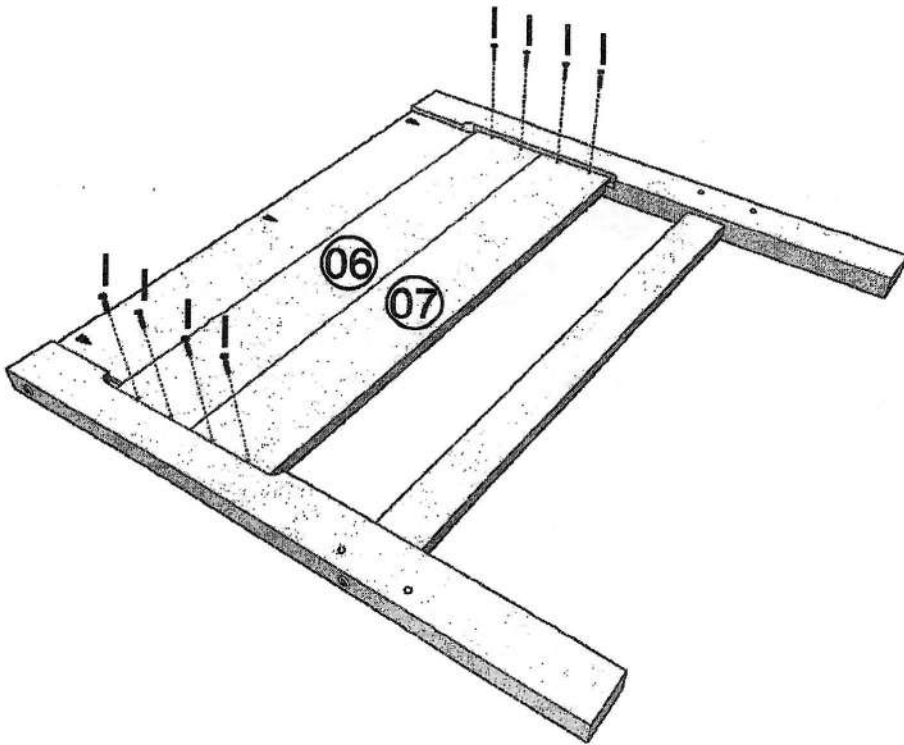
04



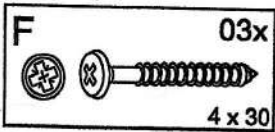
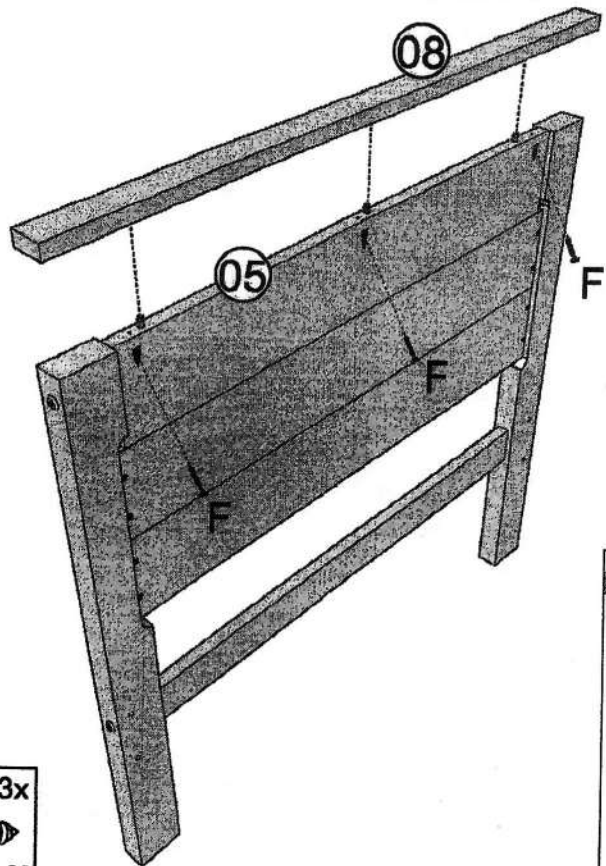
05



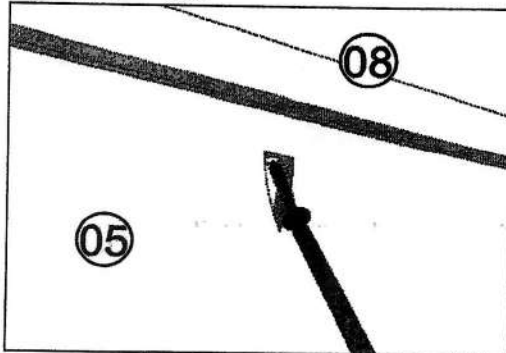
06



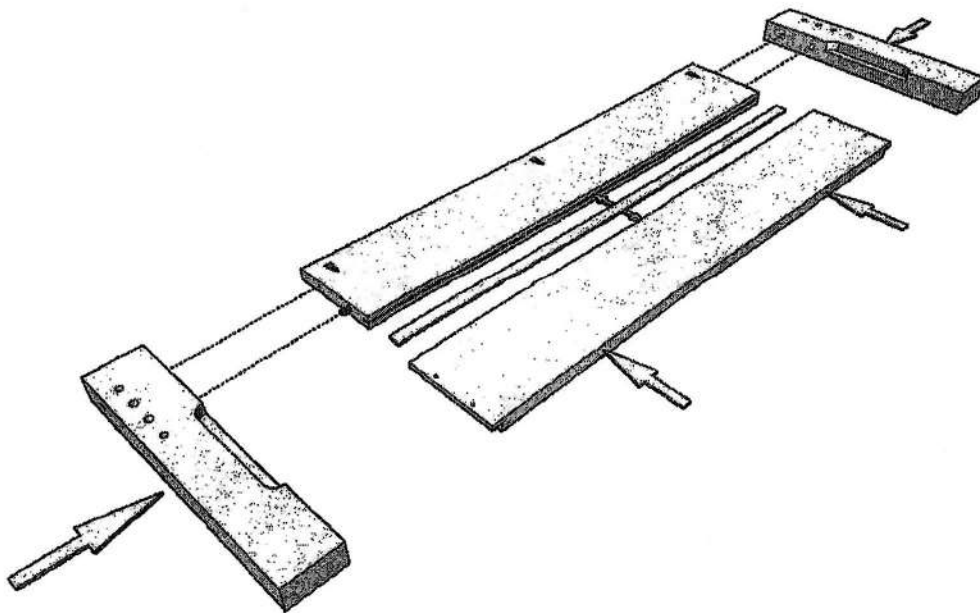
07



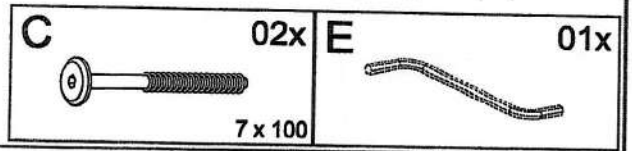
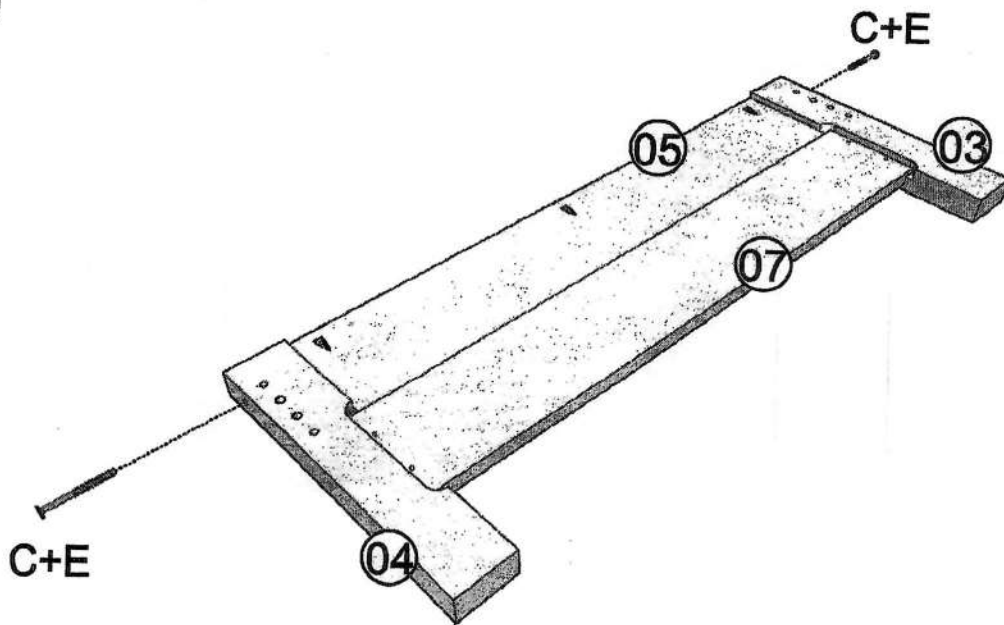
DET. F - 3X



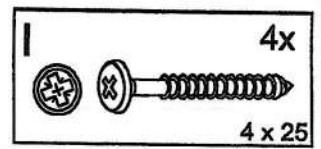
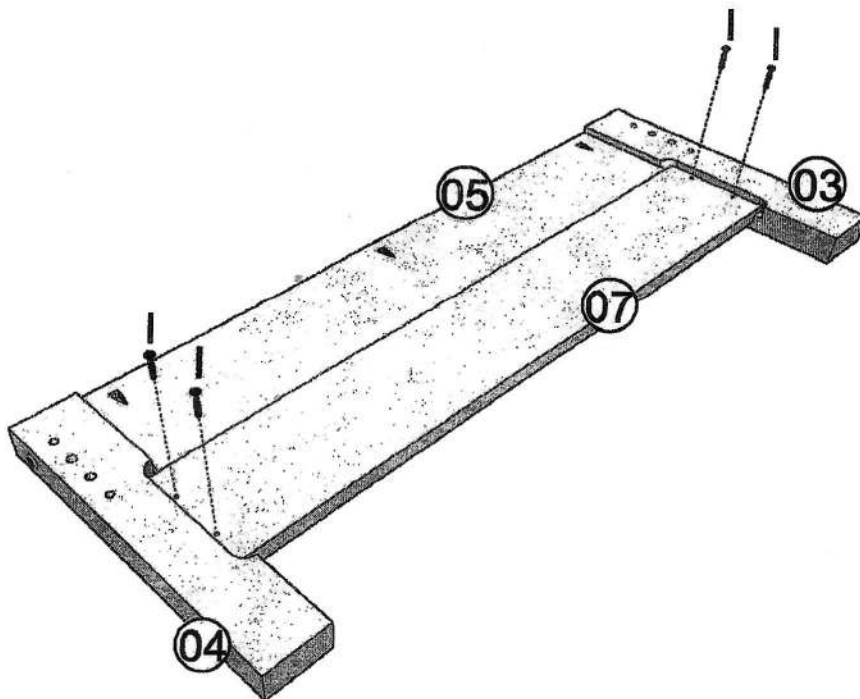
08



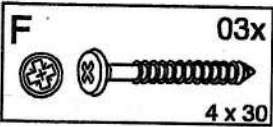
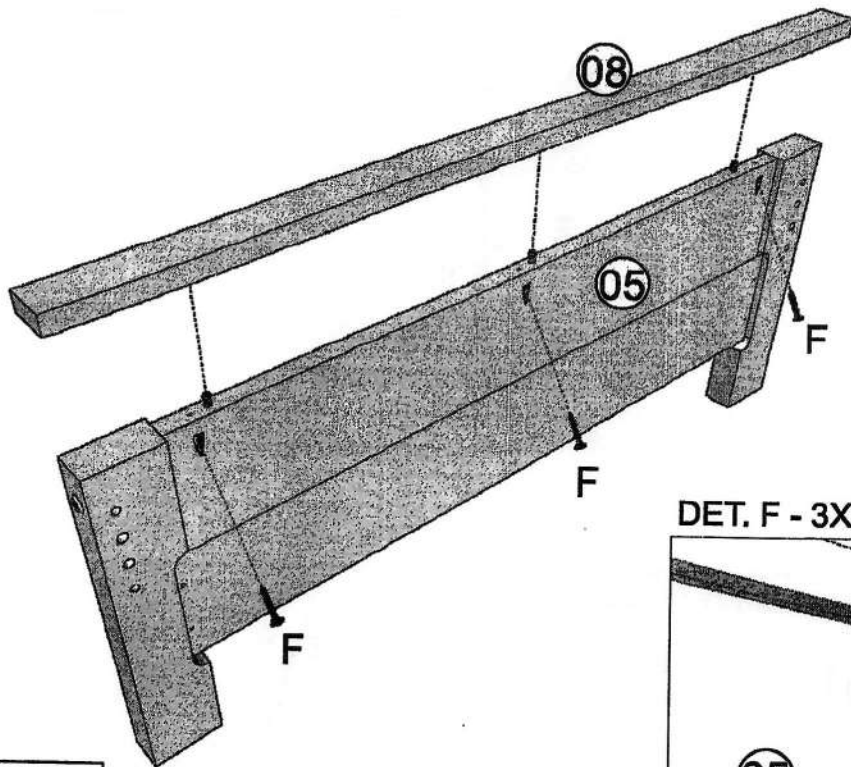
09



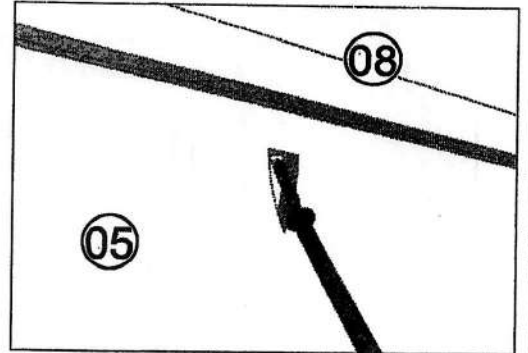
10



11

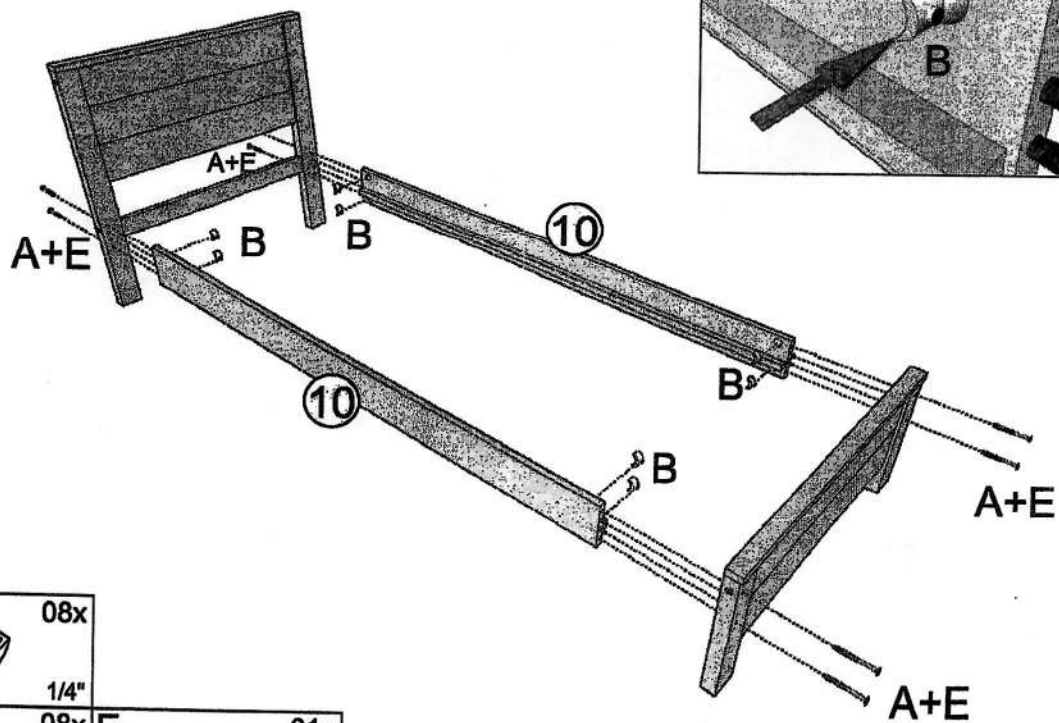


DET. F - 3X

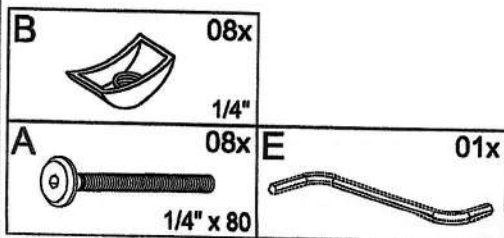
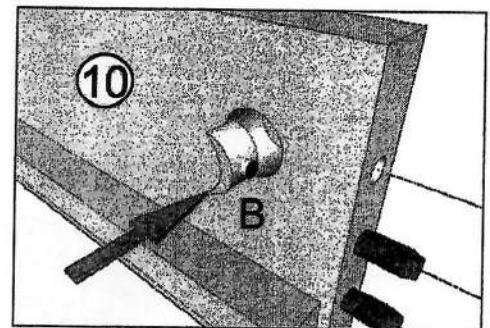


12

Please insert the Siderail carefully to avoid damage to the Headboard/Footboard.

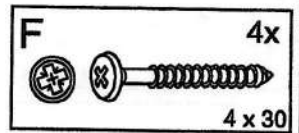
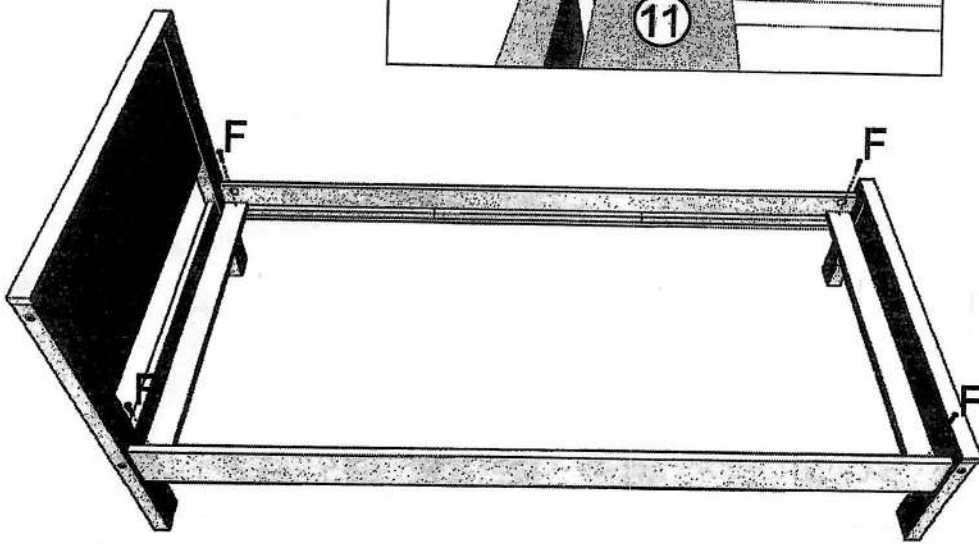
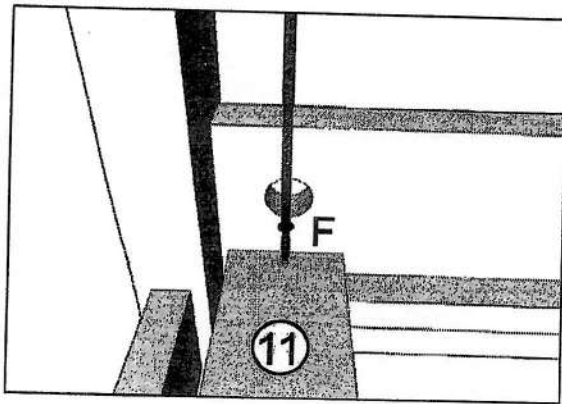


DET. B - 8X

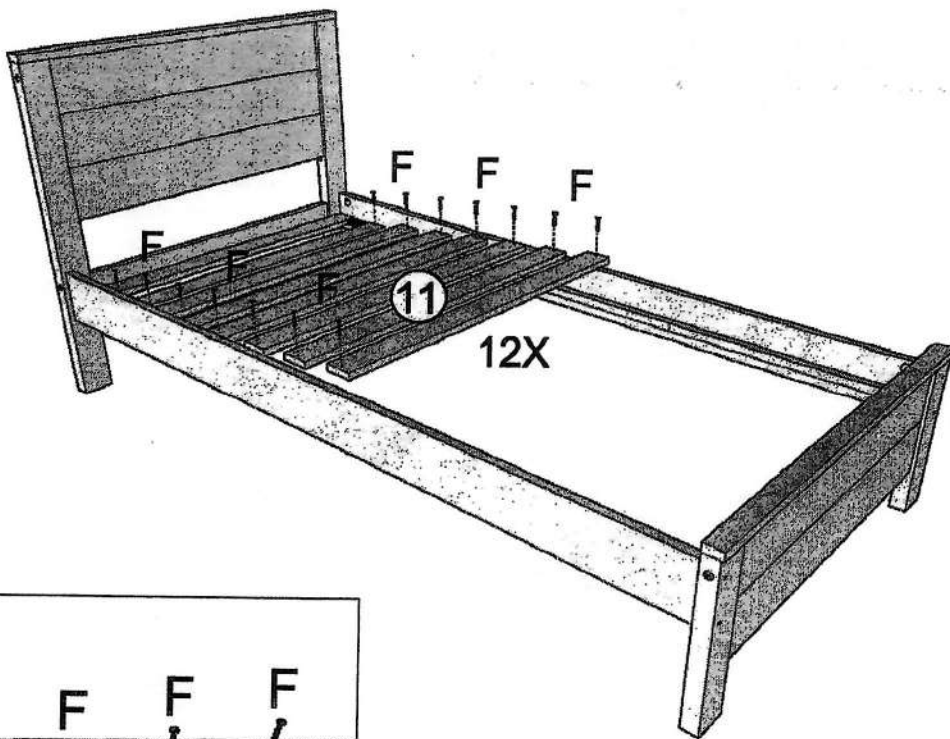


13

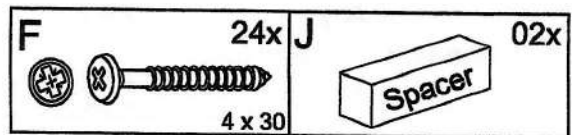
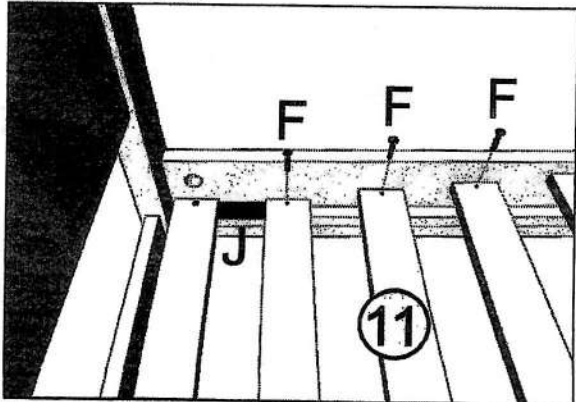
DET. F - 4X

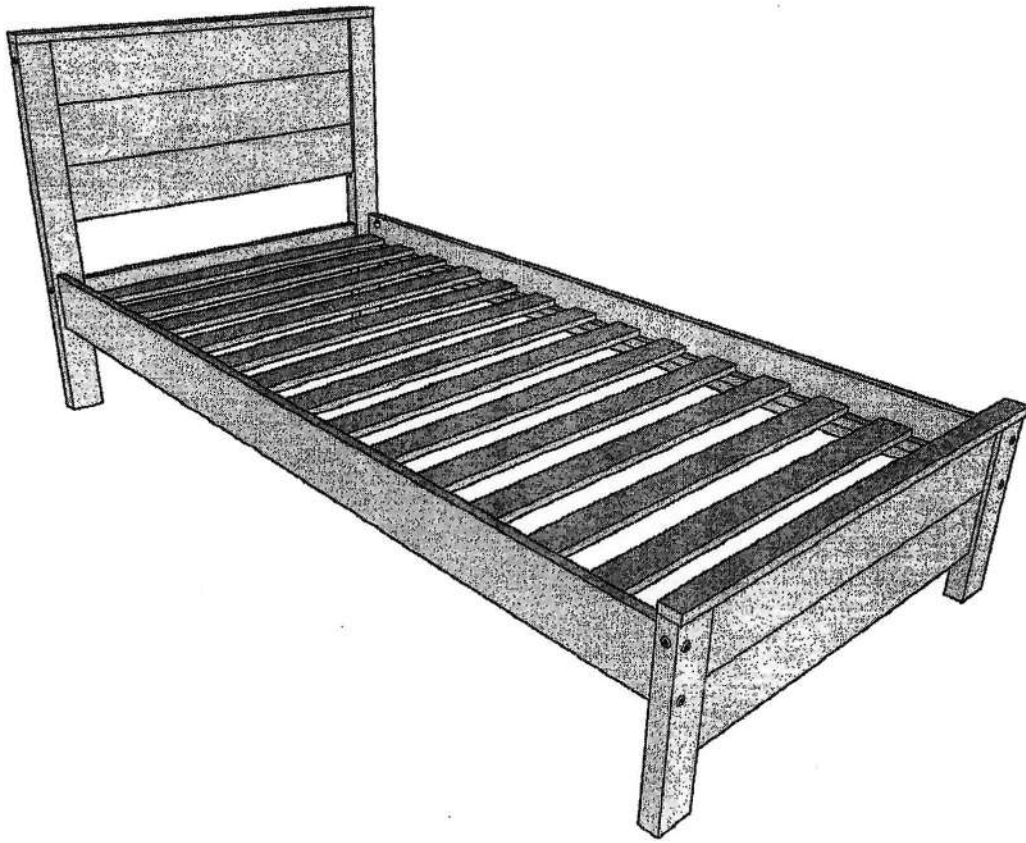


14



DET. F - 12X






Content of Vol. 1/1 - Slats, Frames, Crossbeam, Junction, Feet and Hardware.

- Compliance to: BD-93571-S1-TI: BS EN 1725:2023 Test Level 1 (Domestic), Tested By Fira International Ltd.

- IMPORTANT NOTE: Ventilation of the room is necessary in order to keep the humidity low and to prevent mould in and around the bed.


**WHEN FULLY ASSEMBLED PLEASE
ENSURE ALL SCREWS ARE TIGHTENED.**