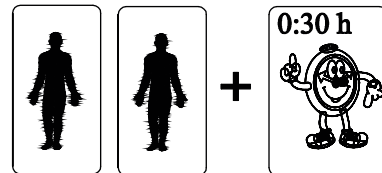
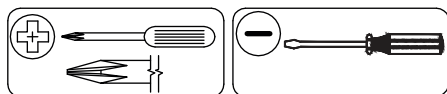


ASSEMBLY INSTRUCTIONS

MB BED



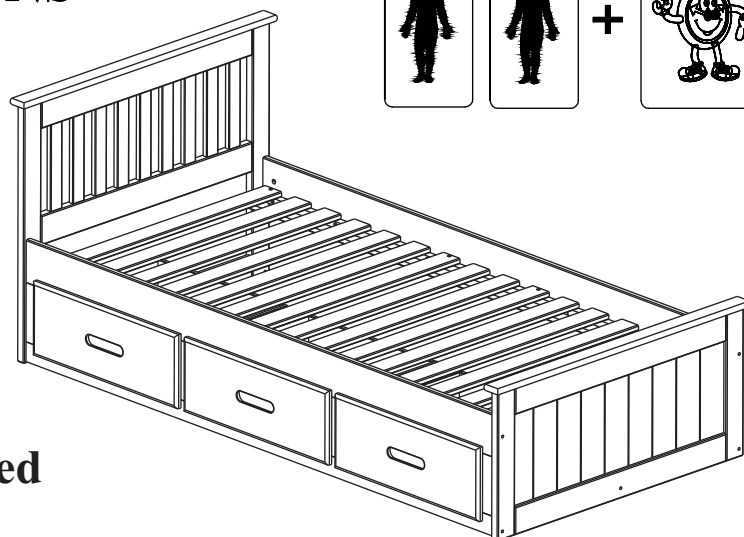
Tools Required



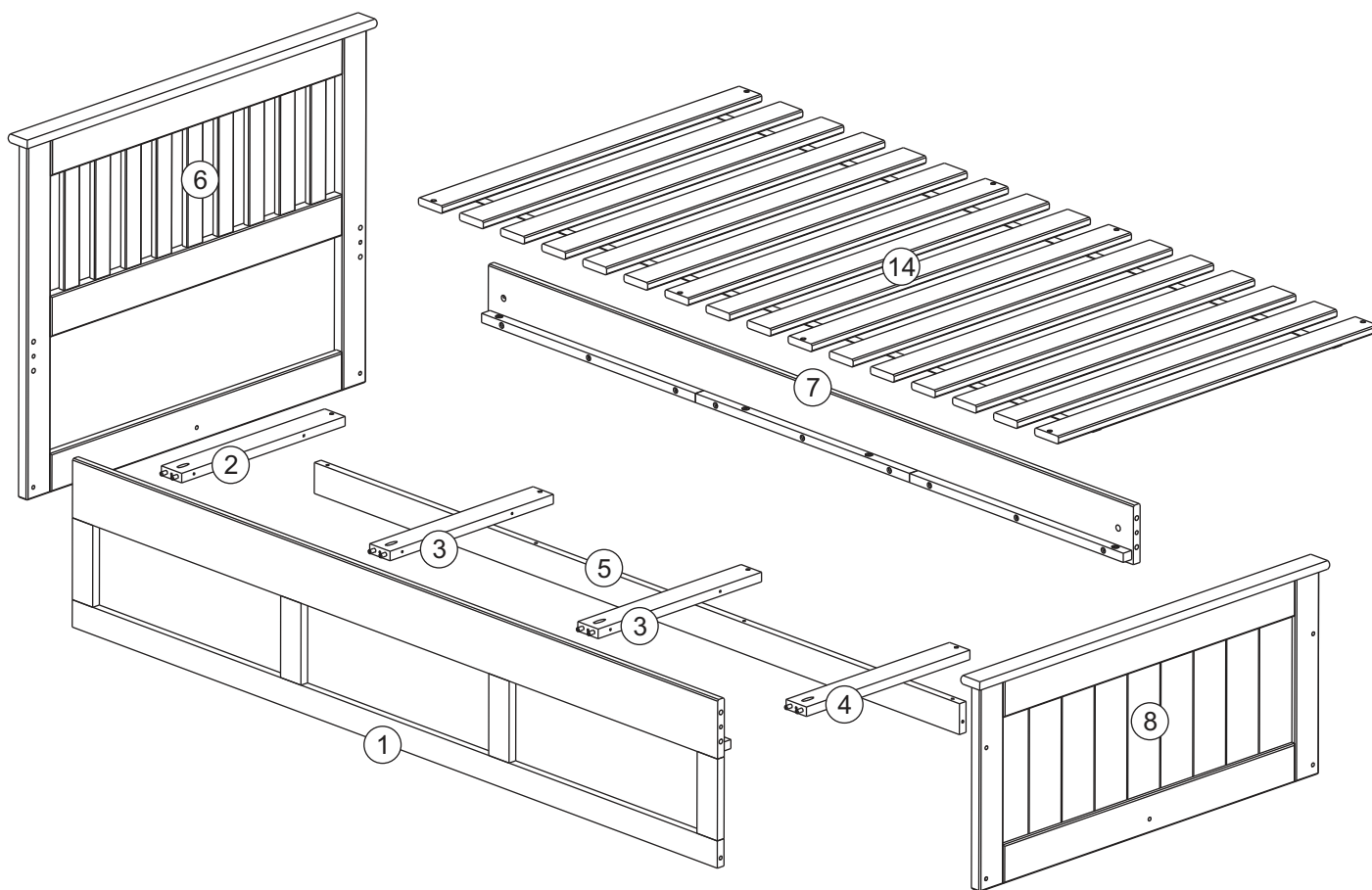
Phillips Head Screwdriver



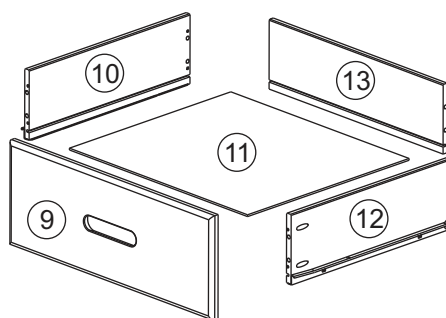
Hammer



Part List - Bed

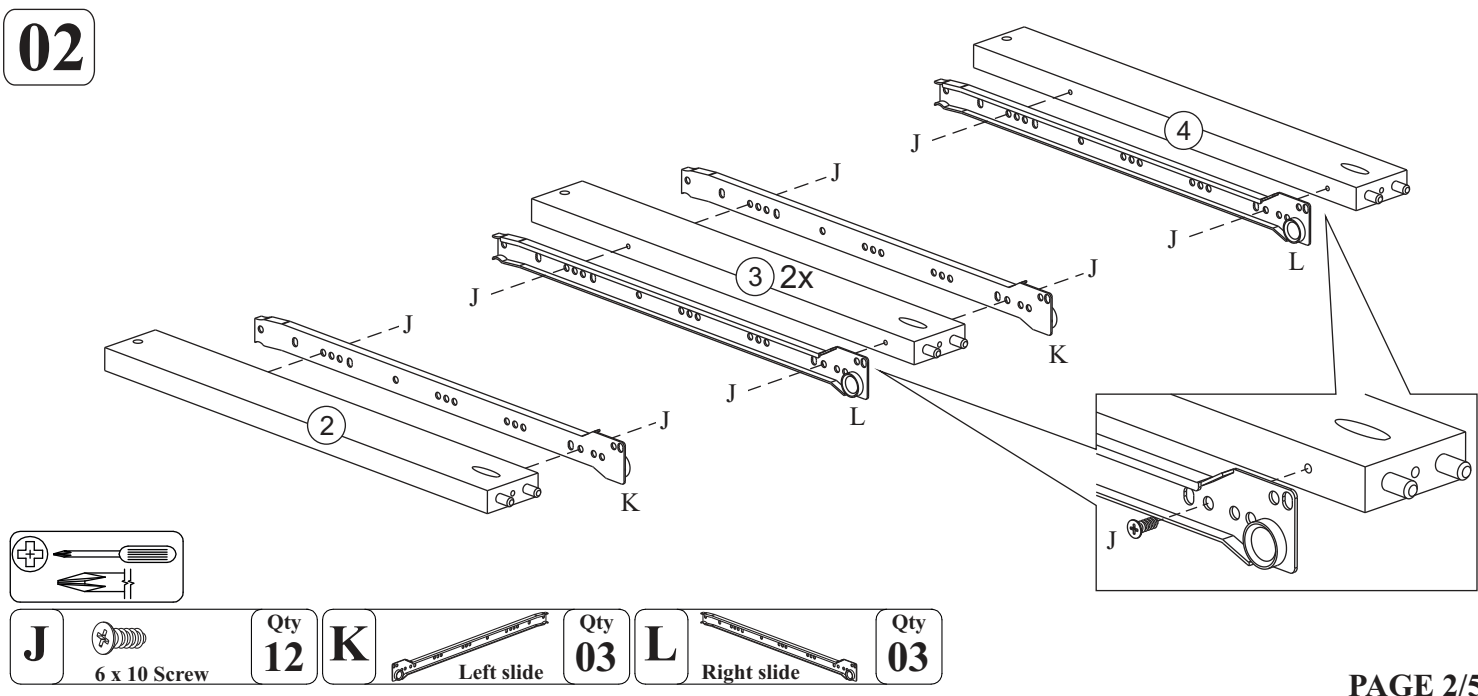
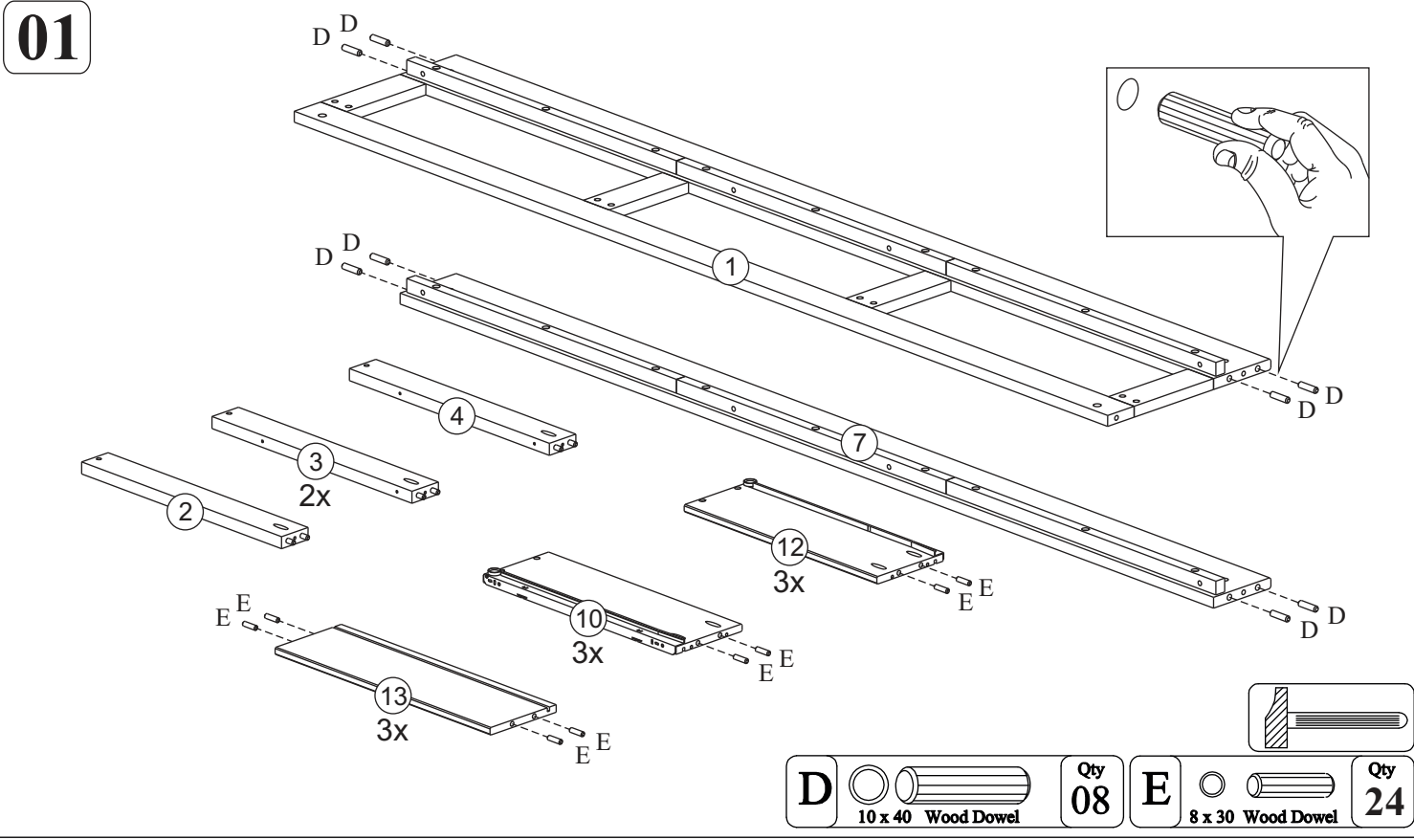
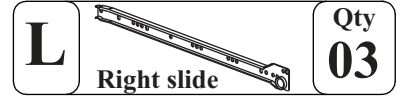
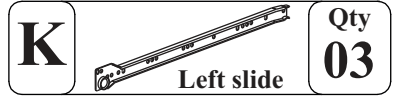
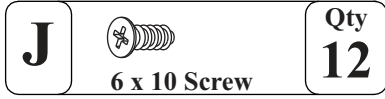
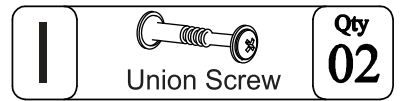
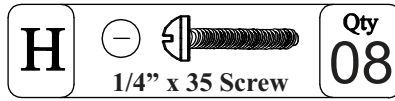
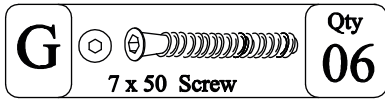
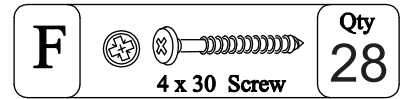
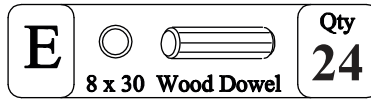
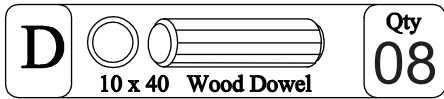
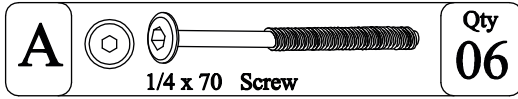


ITEM	DESCRIPTION	QTY
1	FRONT	01
2	LEFT DRAWER RUNNER	01
3	DRAWER RUNNERS	02
4	RIGHT DRAWER RUNNER	01
5	CROSSBEAM	01
6	HEADBOARD	01
7	BACK PANEL	01
8	FOOTBOARD	01
9	DRAWER FRONT	03
10	L/H DRAWER SIDE	03
11	DRAWER BASE	03
12	R/H DRAWER SIDE	03
13	DRAWER BACK	03
14	SLATS	16

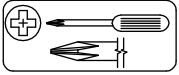
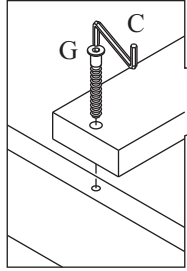
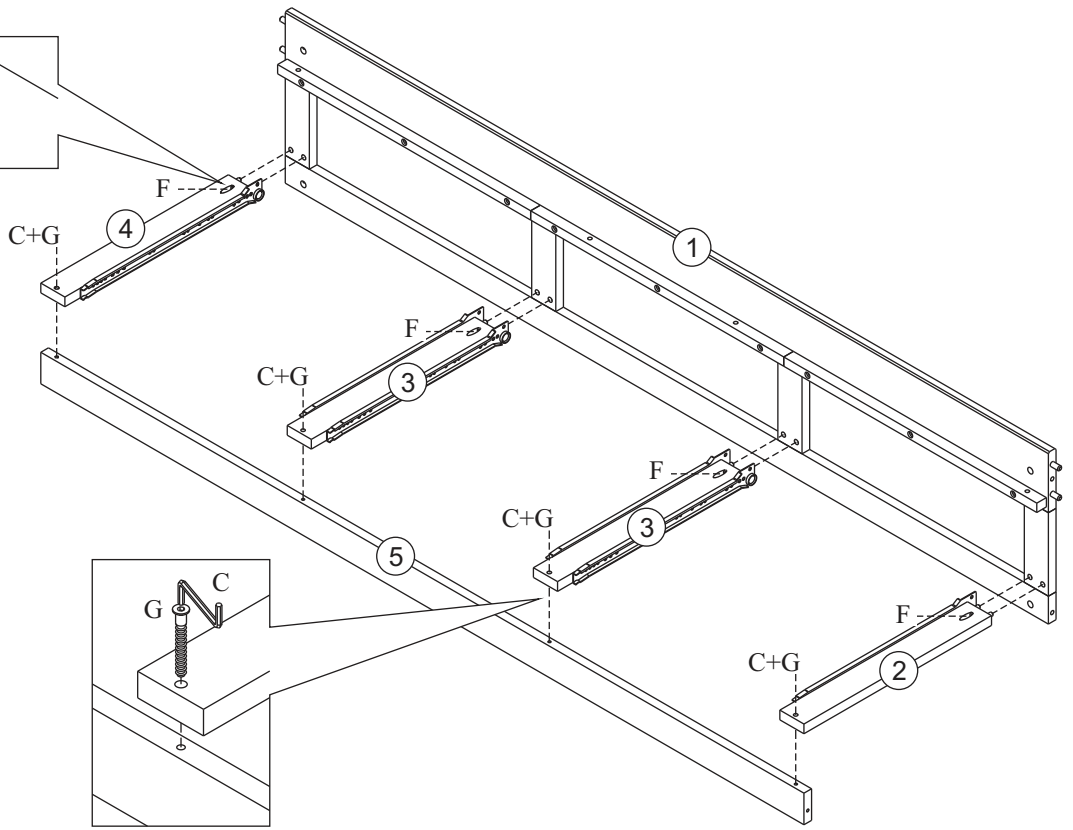
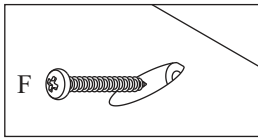


3x

Identifying the Hardware – Identify the hardware using the illustrations below.



03



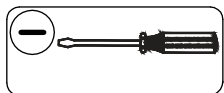
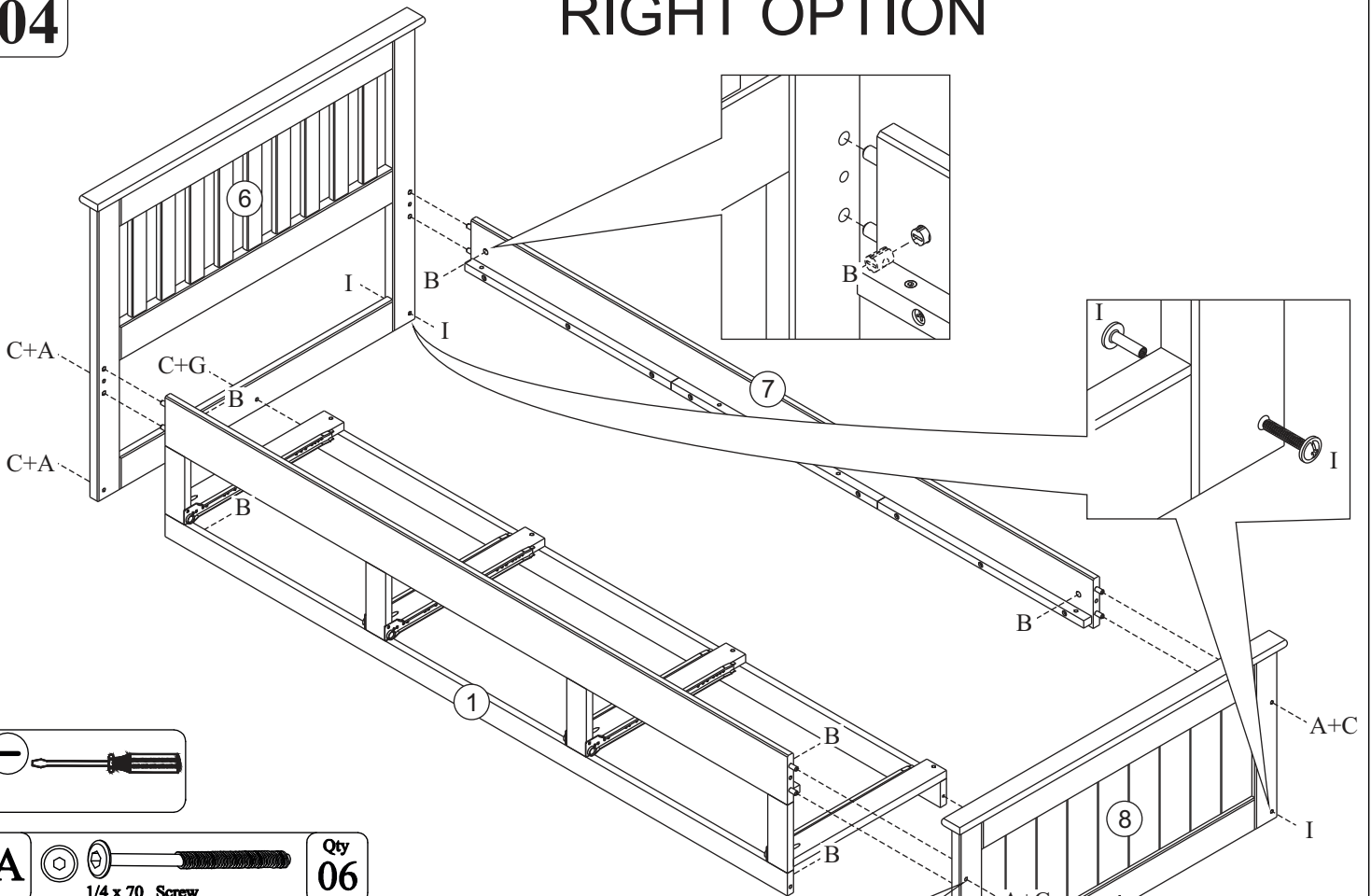
C Allen Key Qty 01

F 4 x 30 Screw Qty 04

G 7 x 50 Screw Qty 04

04

RIGHT OPTION



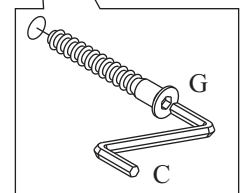
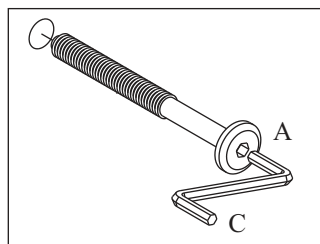
A 1/4 x 70 Screw Qty 06

B 1/4" Cylindrical Qty 06

C Allen Key Qty 01

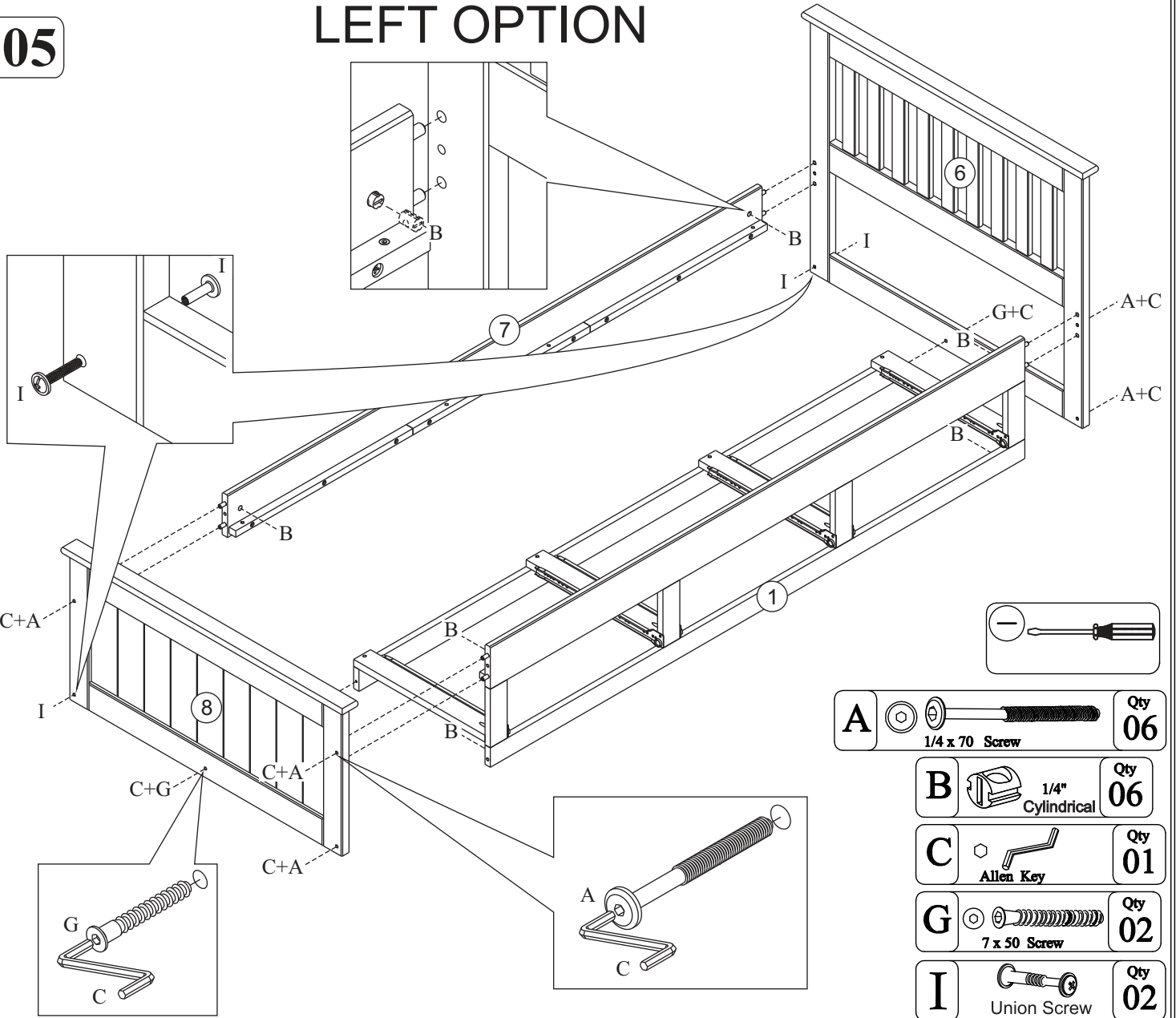
G 7 x 50 Screw Qty 02




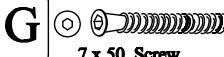

I Union Screw Qty 02



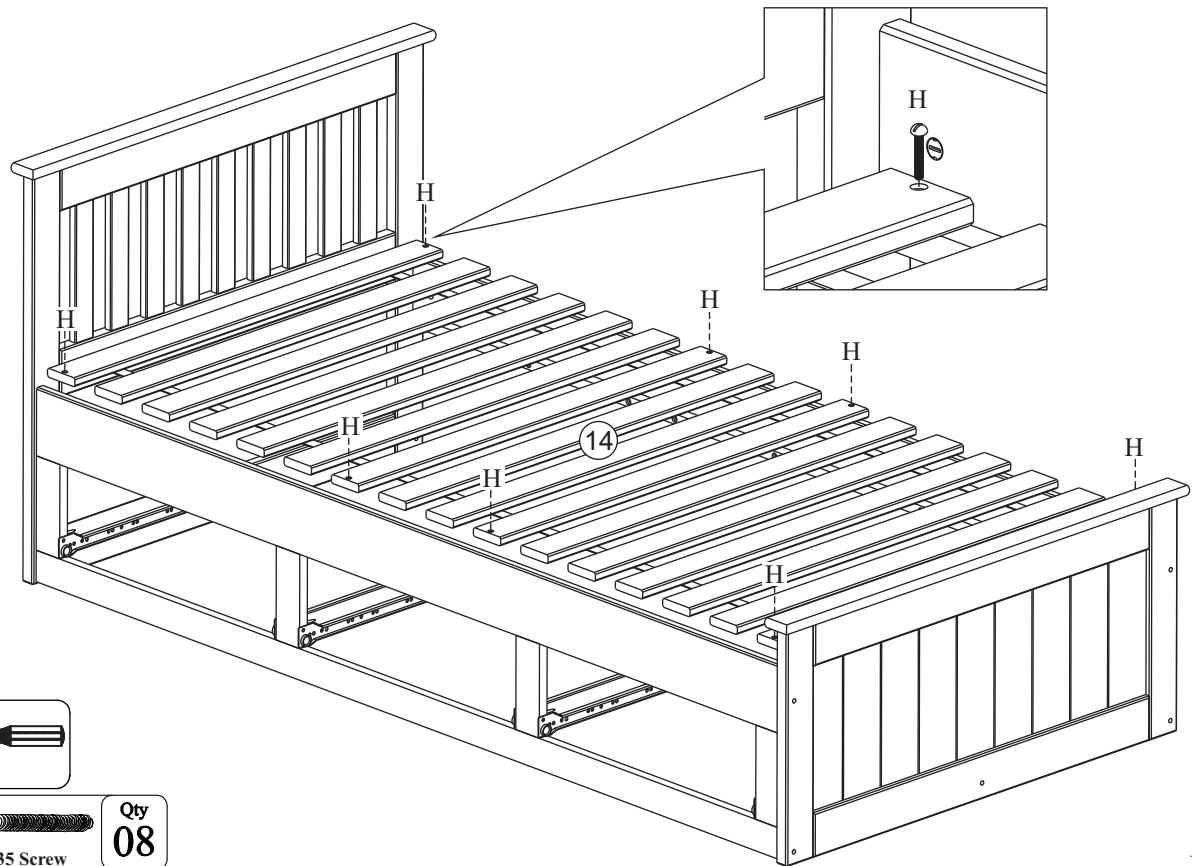
05


LEFT OPTION



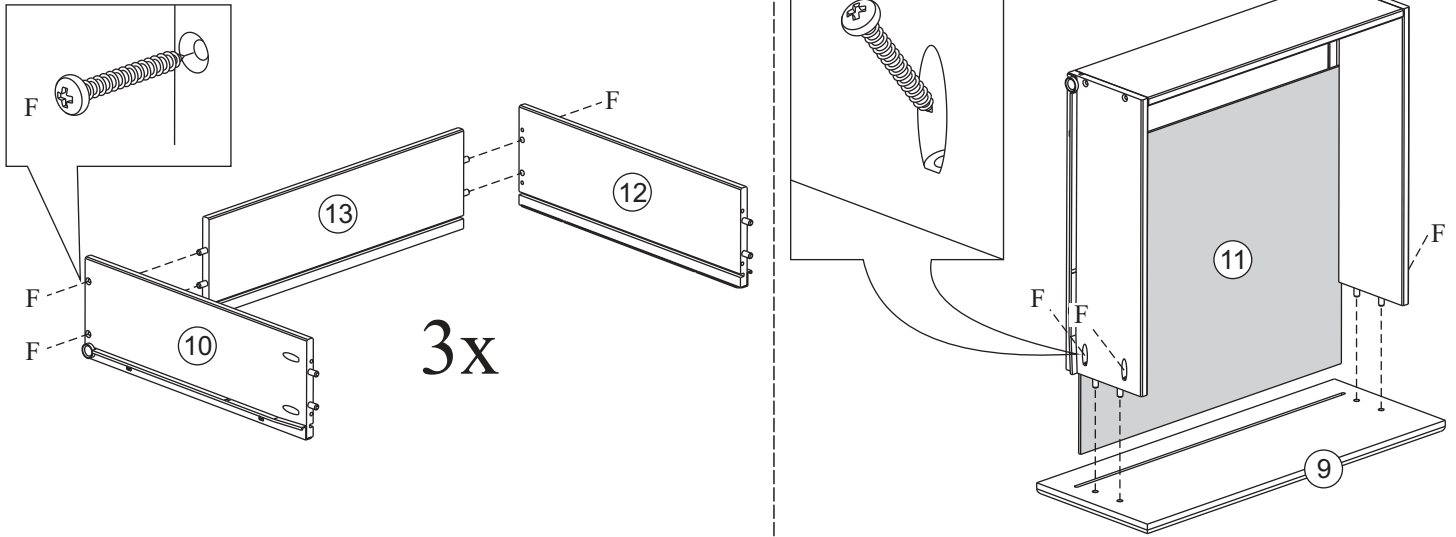
- A**  Qty **06**
- B**  Qty **06**
- C**  Qty **01**
- G**  Qty **02**
- I**  Qty **02**

06



- H**  Qty **08**

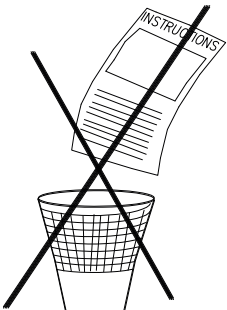
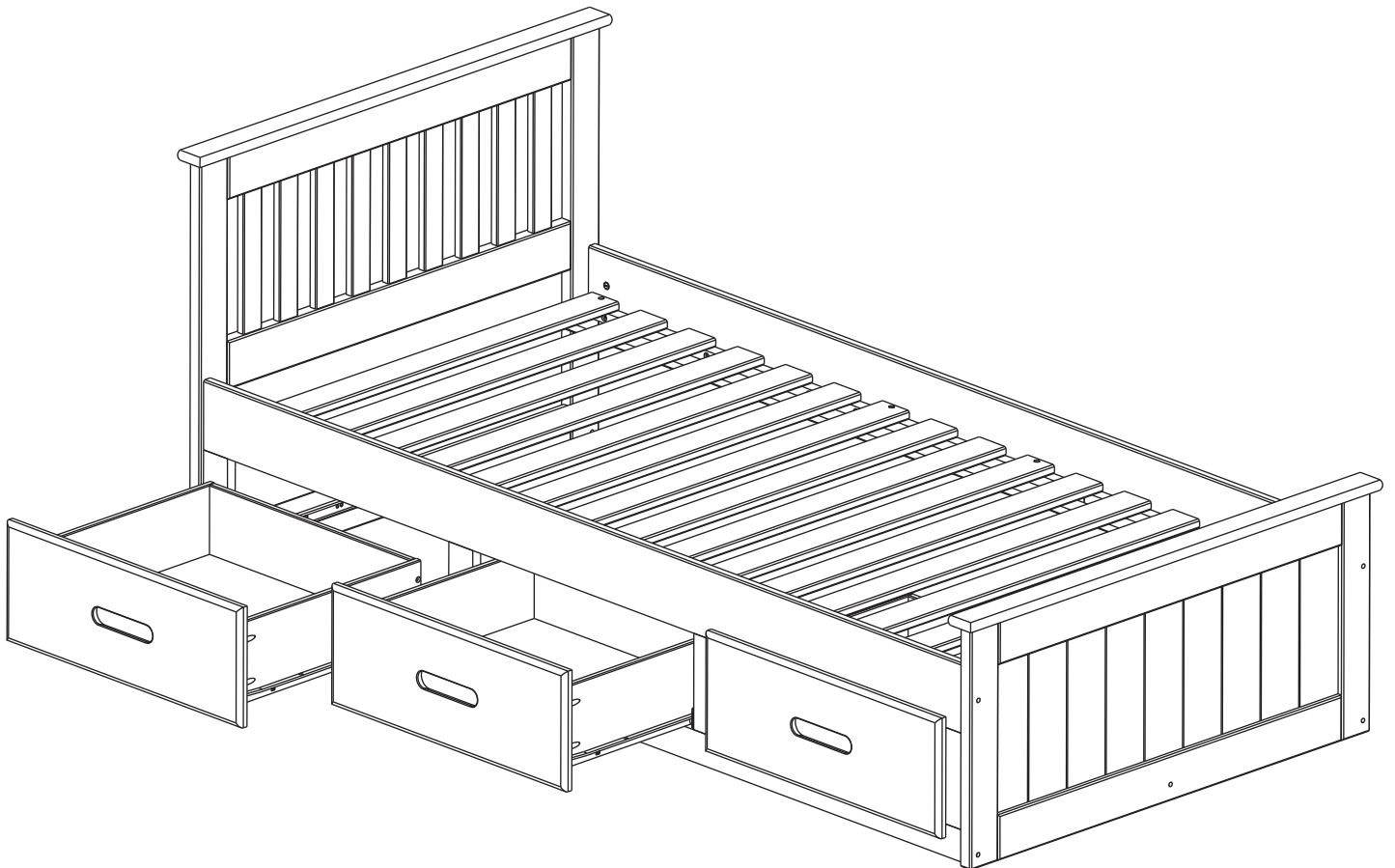
07



F    Qty **24**  
4 x 30 Screw

3x

08



WHEN FULLY ASSEMBLED PLEASE ENSURE ALL SCREWS ARE TIGHTENED.