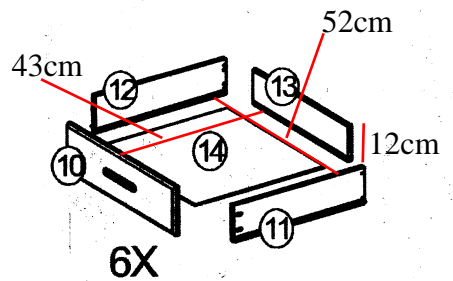
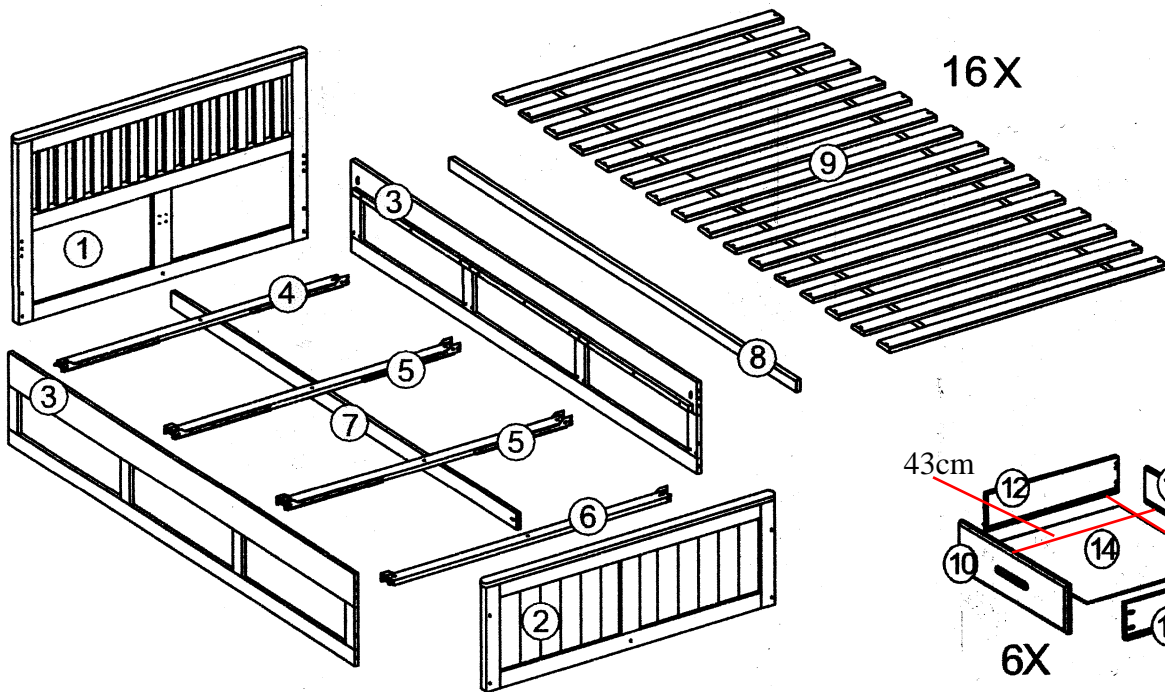
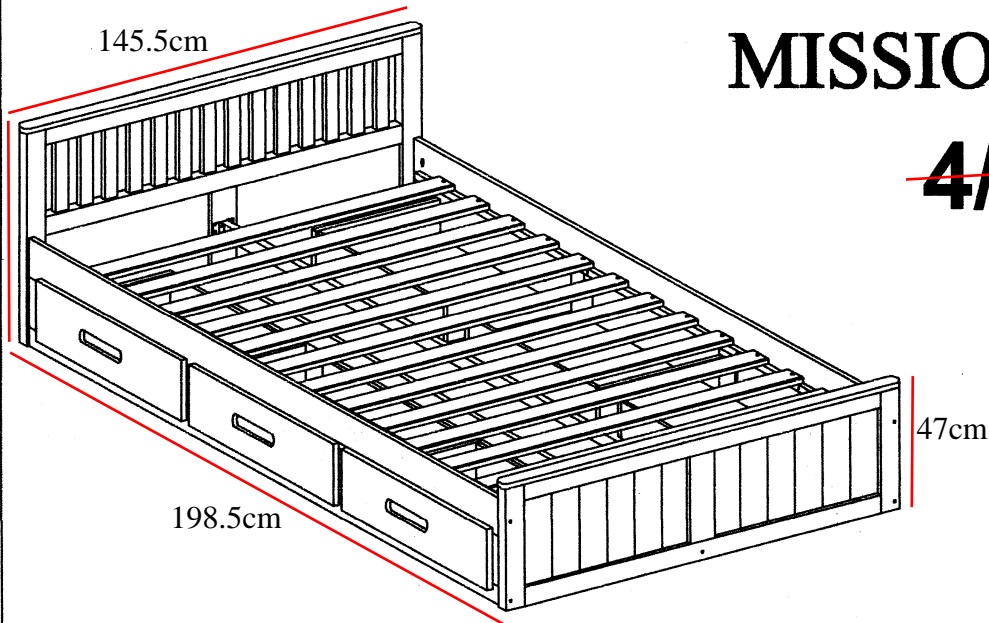


ASSEMBLY INSTRUCTIONS

MISSION BED

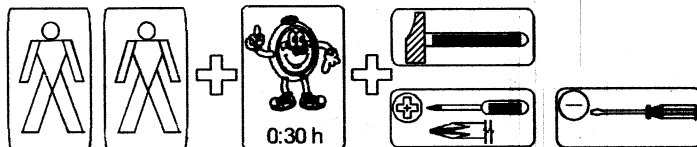
~~4/0 - 4/6~~

80cm




ITEM	DESCRIPTION	QTY
1	HEADBOARD	01
2	FOOTBOARD	01
3	FRONT	02
4	LEFT DRAWER RUNNER	01
5	DRAWER RUNNERS	02
6	RIGHT DRAWER RUNNER	01
7	CROSSBEAM	01
8	SUPPORT SLATS	01
9	SLATS	13
10	DRAWER FRONT	06
11	R/H DRAWER SIDE	06
12	L/H DRAWER SIDE	06
13	DRAWER BACK	06
14	DRAWER BASE	06

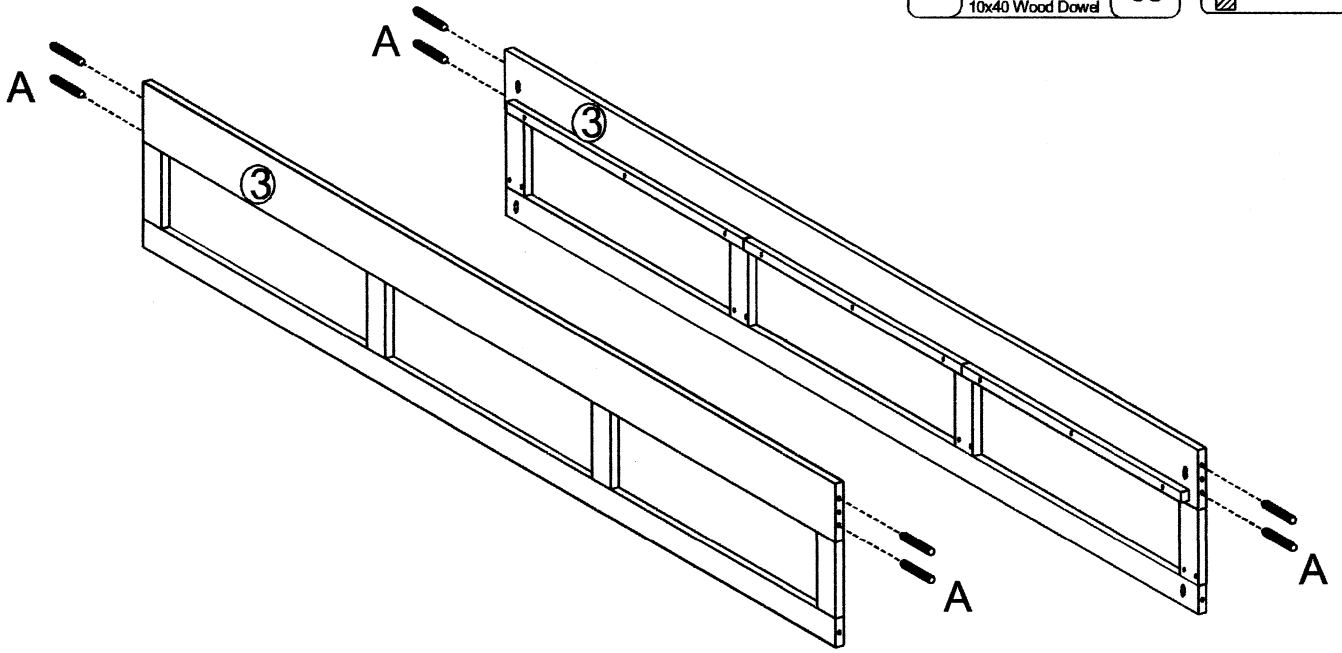
Identifying the Hardware



A	10x40 Wood Dowel	Qty 08	B	4x45 Screw	Qty 04	C	4x30 Screw	Qty 56
D	3,5x16 Screw	Qty 12	E	1/4" x70 Screw	Qty 08	F	1/4" Cylindrical	Qty 08
G	7x50 Screw	Qty 02	H	Allen Key	Qty 01	I	Spacer	Qty 02
J	8x30 Wood Dowel	Qty 48	L	Drawer joint	Qty 02	M	1/4" x25 Screw	Qty 08

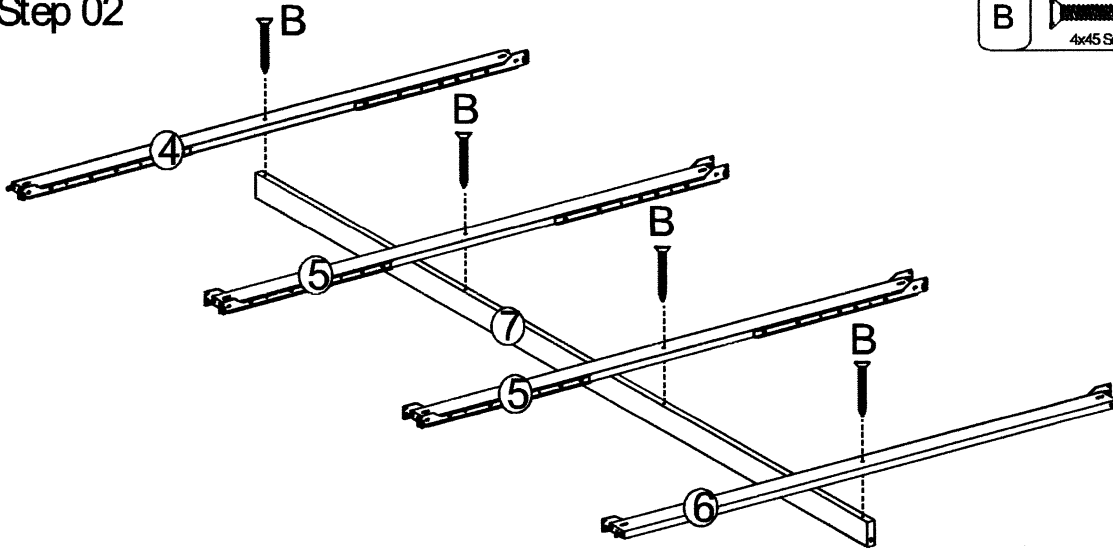
Step 01

A  Qty 08 

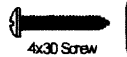



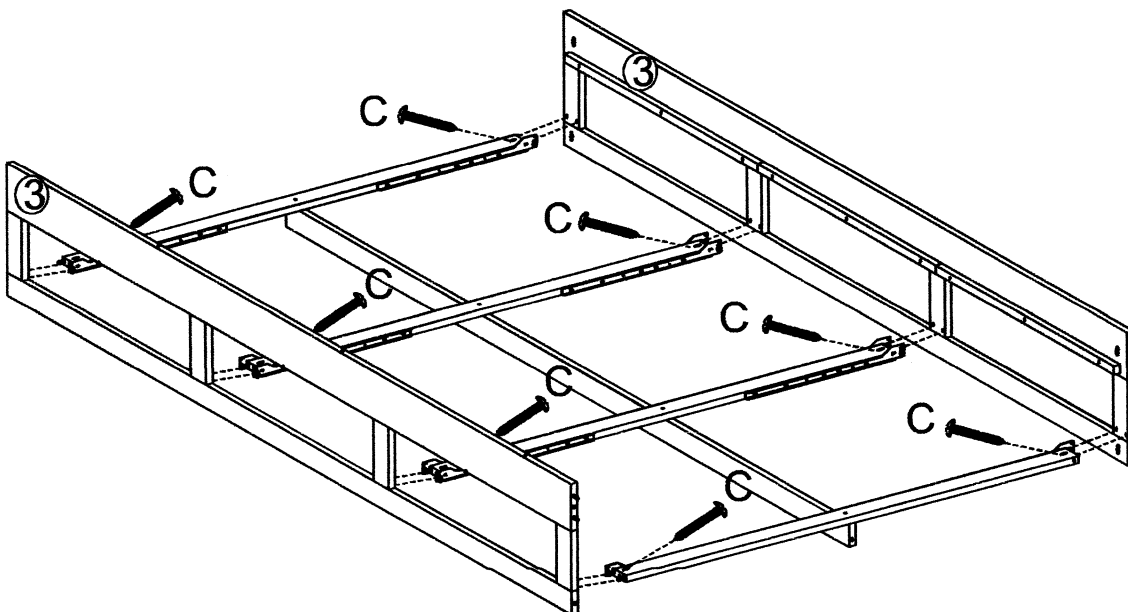
Step 02

B  Qty 04 

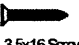




Step 03

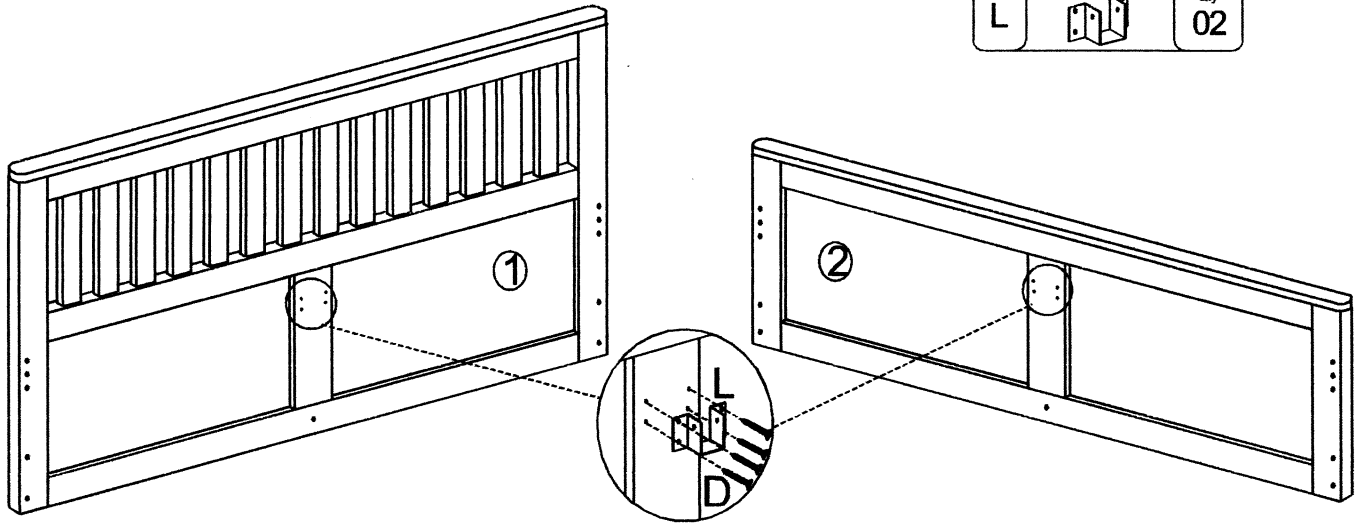
C  Qty 08 



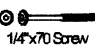

Step 04

D		Qty 08	
---	--	--------	--

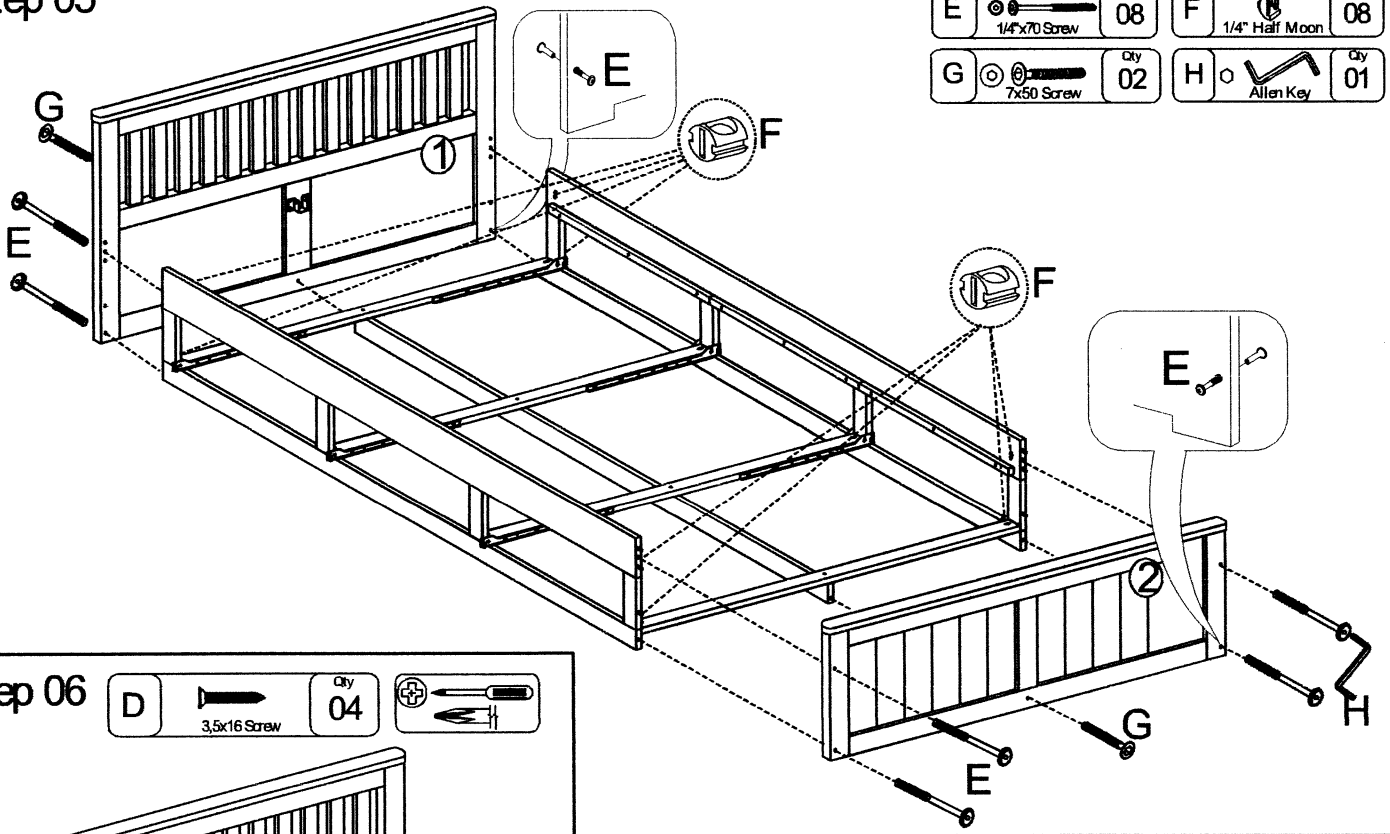
L		Qty 02	
---	---	--------	--



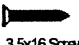

Step 05

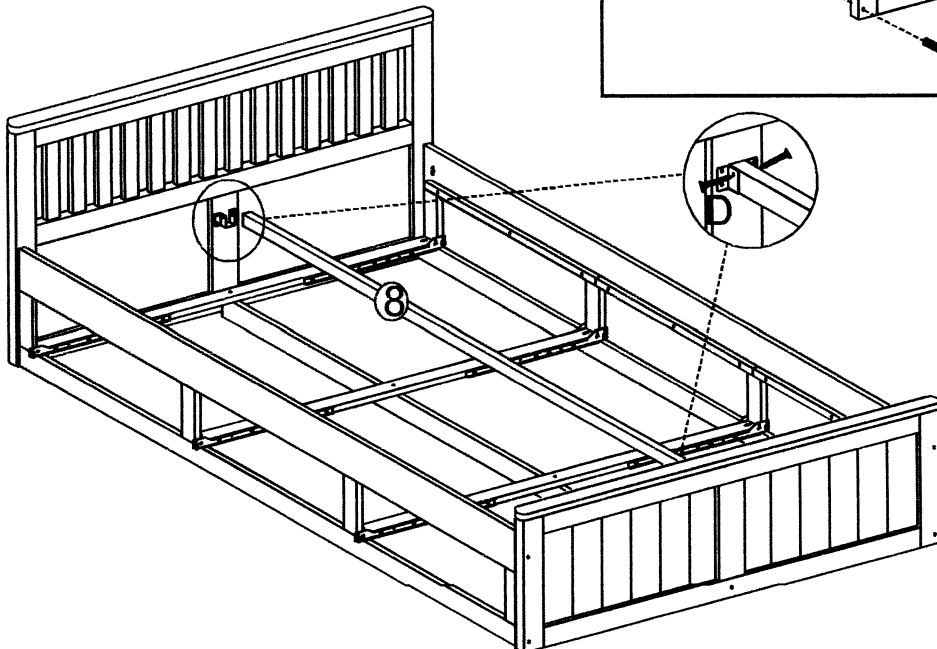
E		Qty 08	F		Qty 08
---	---	--------	---	---	--------

G		Qty 02	H		Qty 01
---	---	--------	---	---	--------

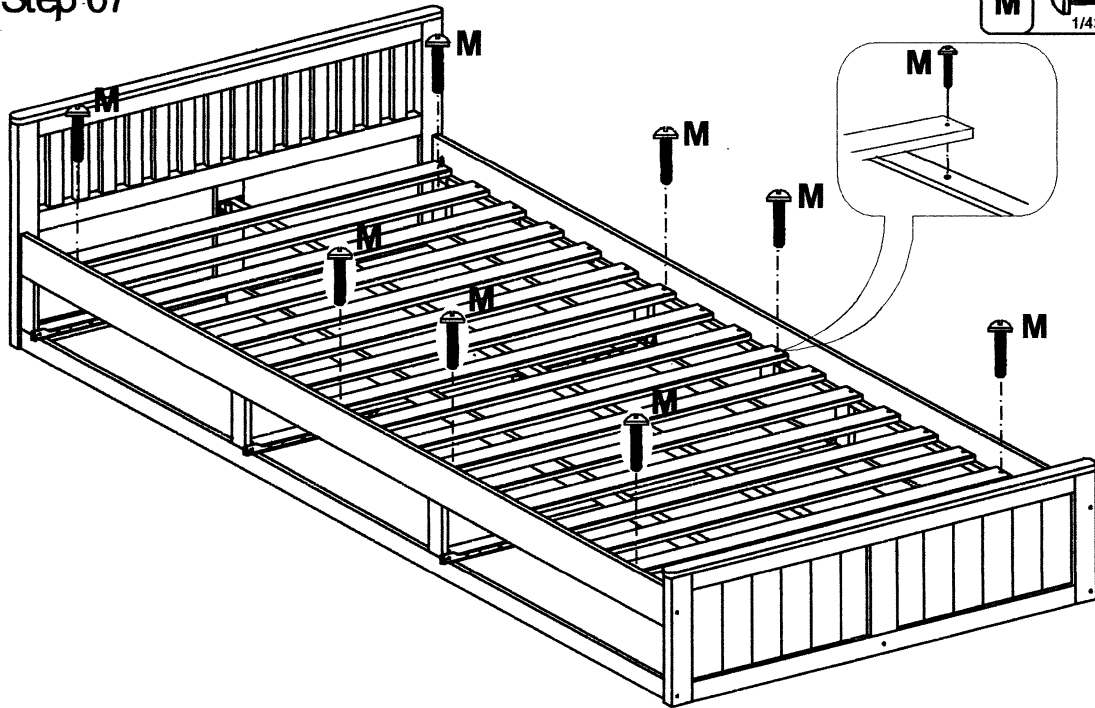


Step 06

D		Qty 04	
---	---	--------	---

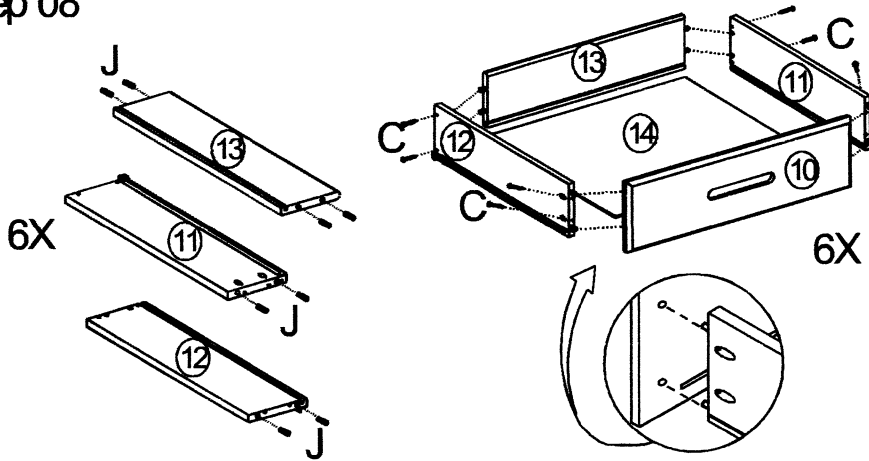


Step 07



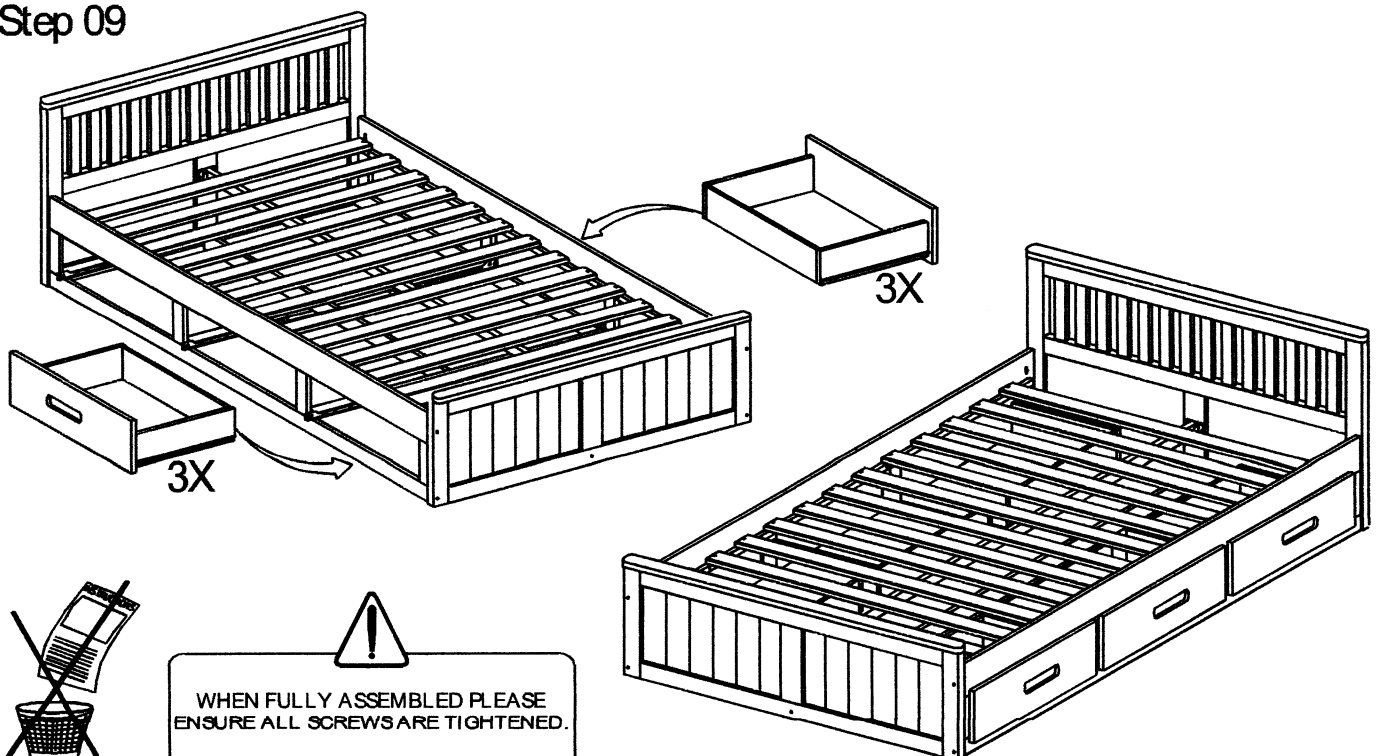
M		Qty 08	
I		Qty 02	

Step 08



C		Qty 48	
J		Qty 48	

Step 09



WHEN FULLY ASSEMBLED PLEASE ENSURE ALL SCREWS ARE TIGHTENED.