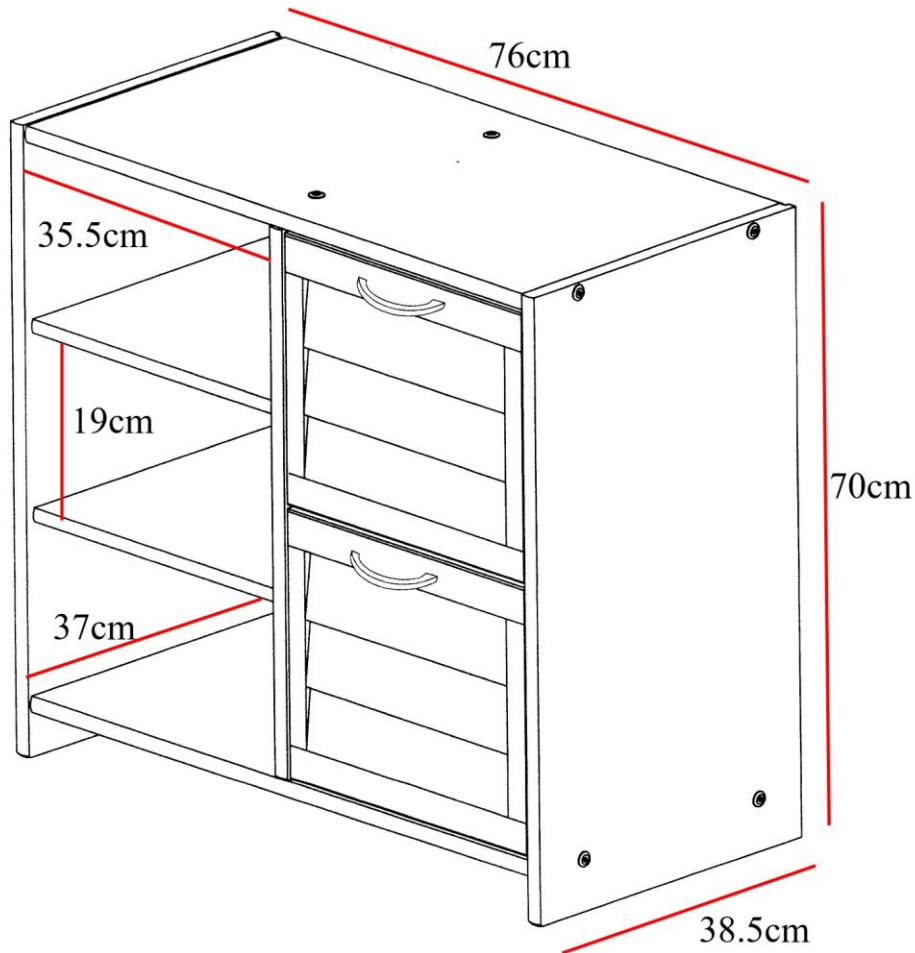


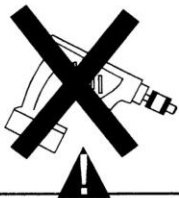
**LEFT STAIR**



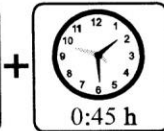
Thank you for purchasing this quality product. Be sure to check all packing material carefully for small parts which may have come loose inside the carton during shipment. Separate, identify and count all parts and hardware.

Compare with the parts list to be sure all parts are present.

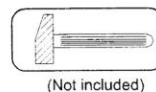
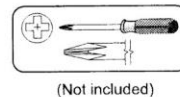
**"DO NOT TIGHTEN SCREWS UNTIL COMPLETELY ASSEMBLED"**



\* Use of power tool to assemble this product will invalidate any claim and damage this product making unsafe !!!  
\* Please assemble on a clean soft surface to avoid damage.



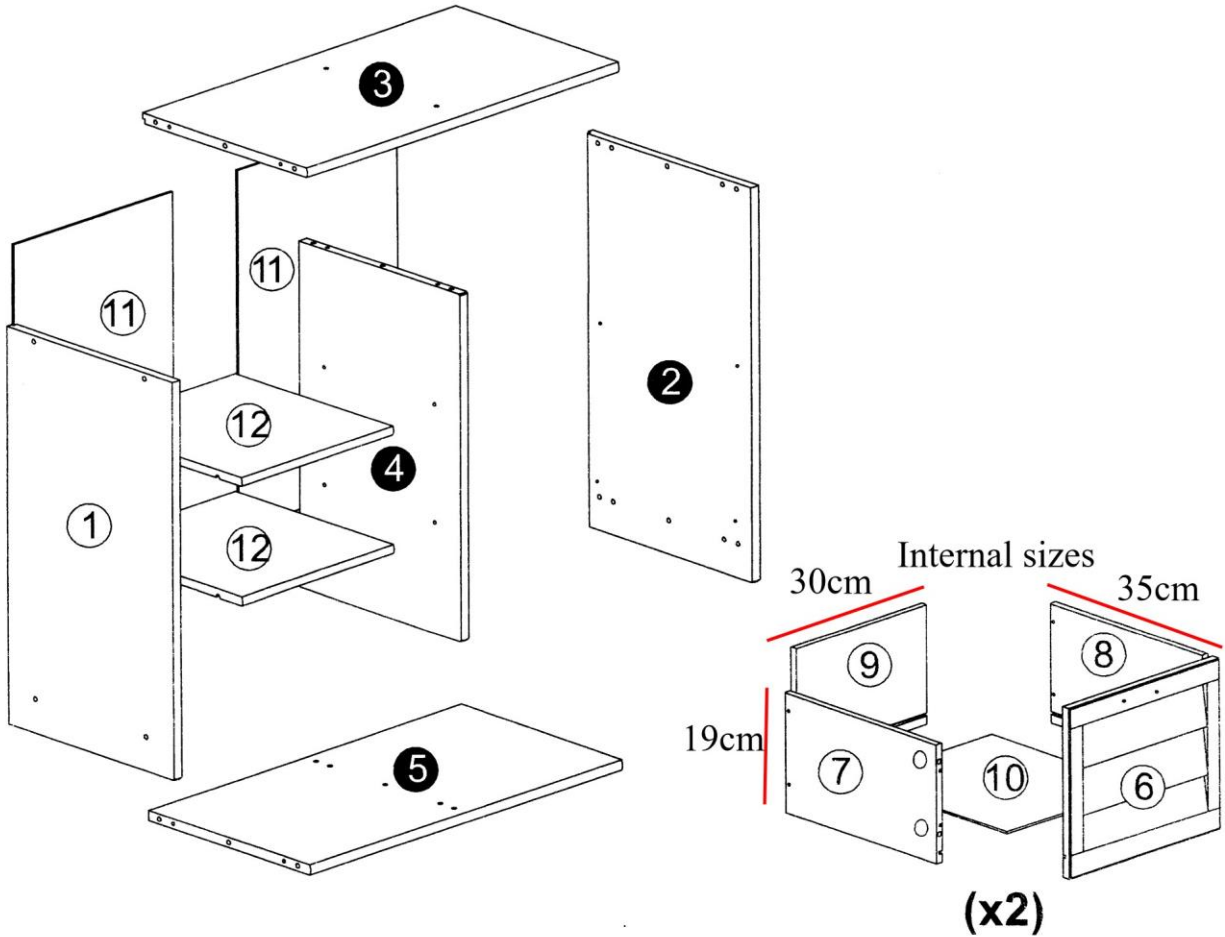
Tools Required





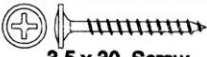
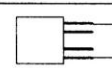



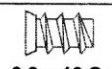



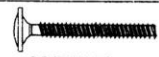
**IMPORTANT:**

**PLEASE READ INSTRUCTION BEFORE STARTING THE ASSEMBLY**

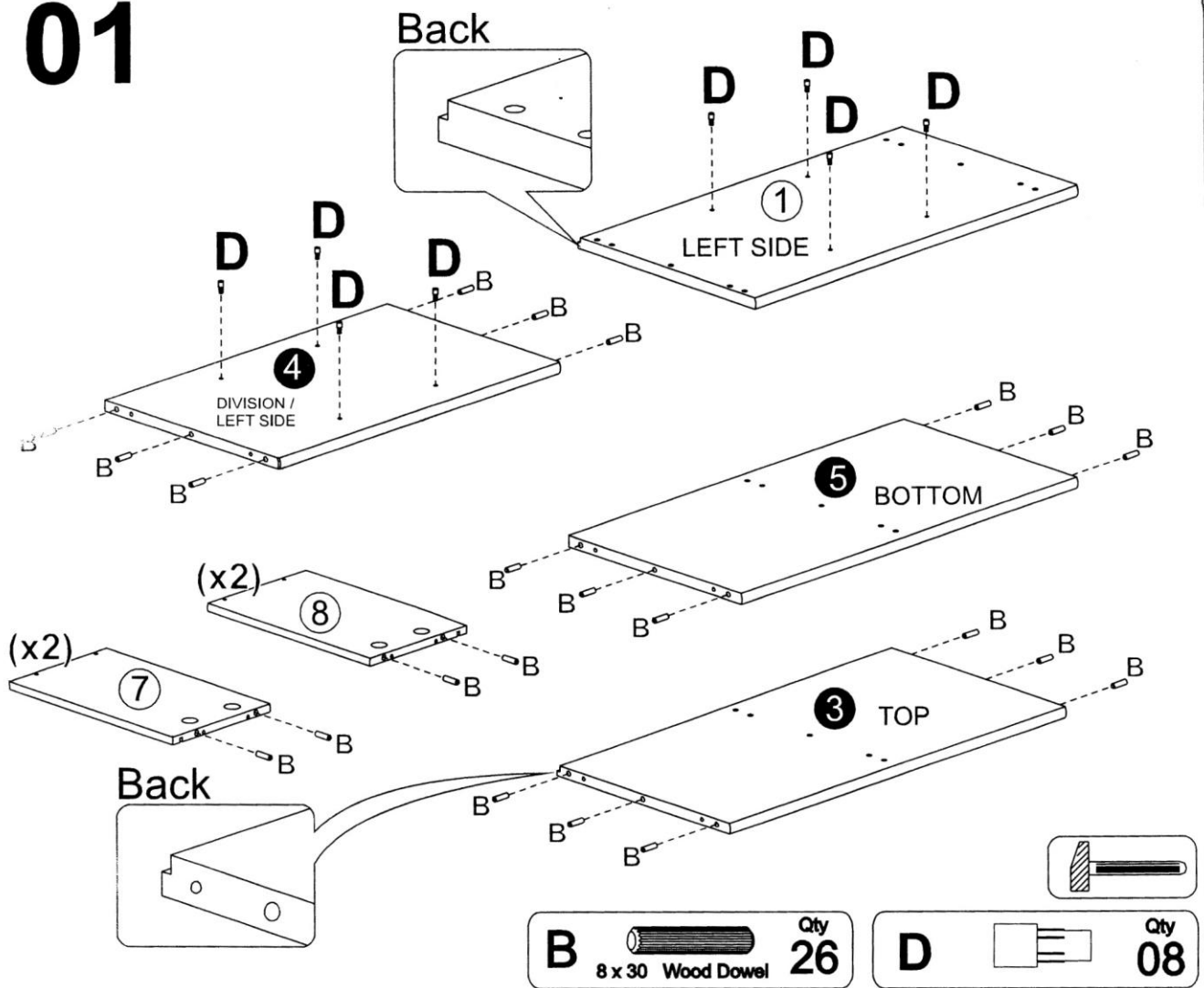
# Part List - 790 2 DRAWERS CHEST LOUVER



**Identifying the Hardware** - Identify the hardware using the illustrations below

<b>A</b>  Qty <b>12</b>	<b>B</b>  Qty <b>26</b>	<b>C</b>  Qty <b>16</b>
<b>D</b>  Qty <b>08</b>	<b>E</b>  Qty <b>23</b>	<b>F</b>  Qty <b>01</b>
<b>G</b>  Qty <b>05</b>	<b>H</b>  Qty <b>16</b>	<b>i</b>  Qty <b>02</b>
<b>J</b>  Qty <b>02</b>	<b>K</b>  Qty <b>02</b>	<b>L</b>  Qty <b>04</b>

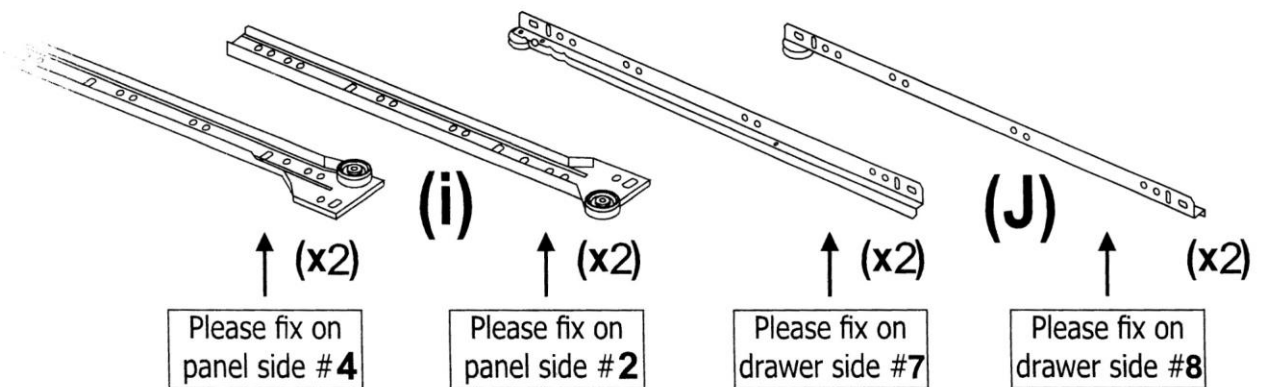
# 01



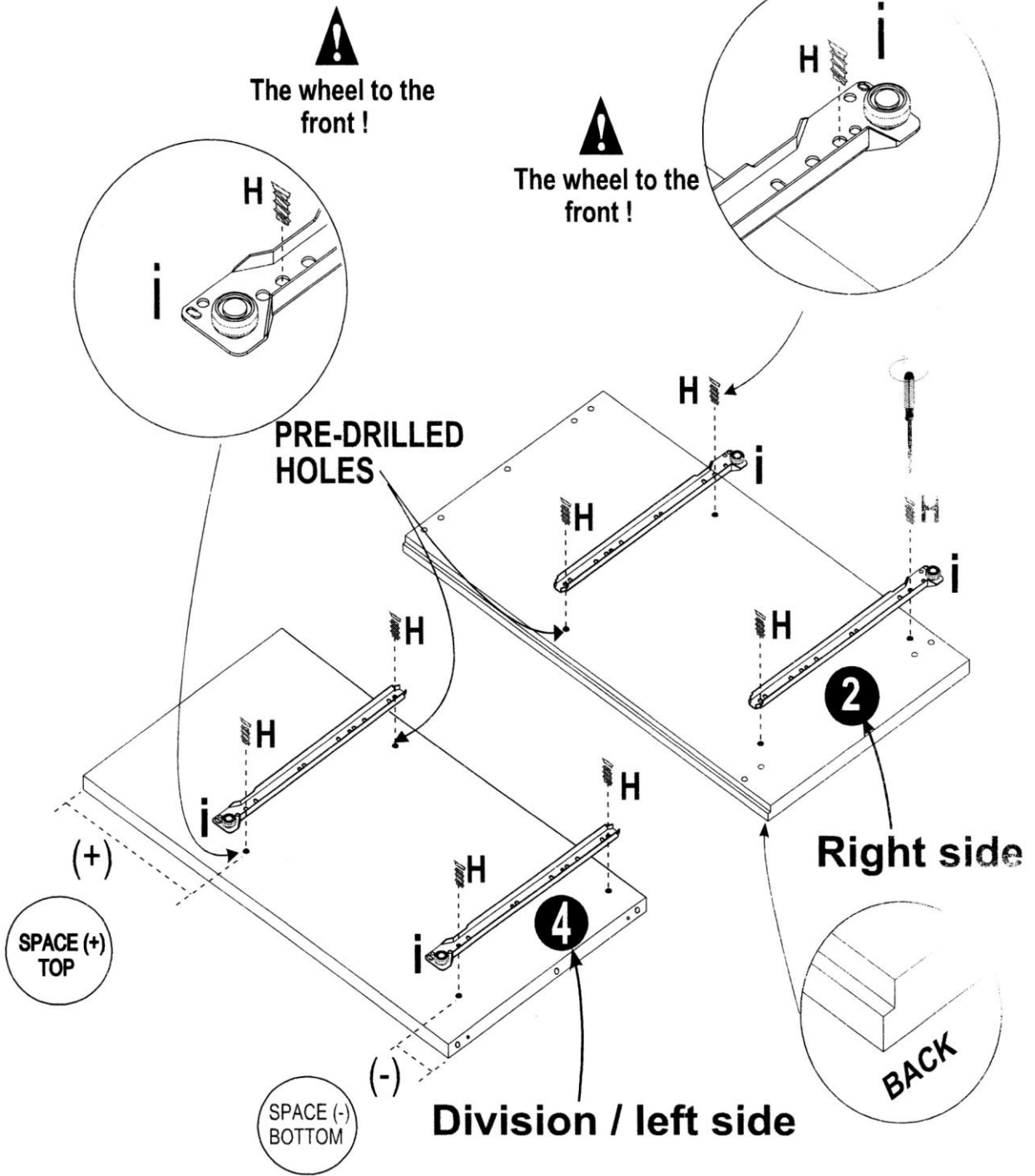
## SET OF METAL SLIDES FOR THE DRAWERS

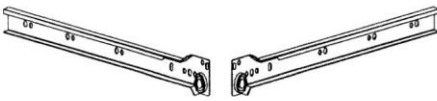
The metal glides hardware are all in one packed. Please separate the left and right pieces like a pair.

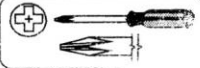

- The glides # **i** are used on chest panel side and has a left and right pieces.
- The glides # **J** are used on drawers side, also has a left and right pieces.



# 02

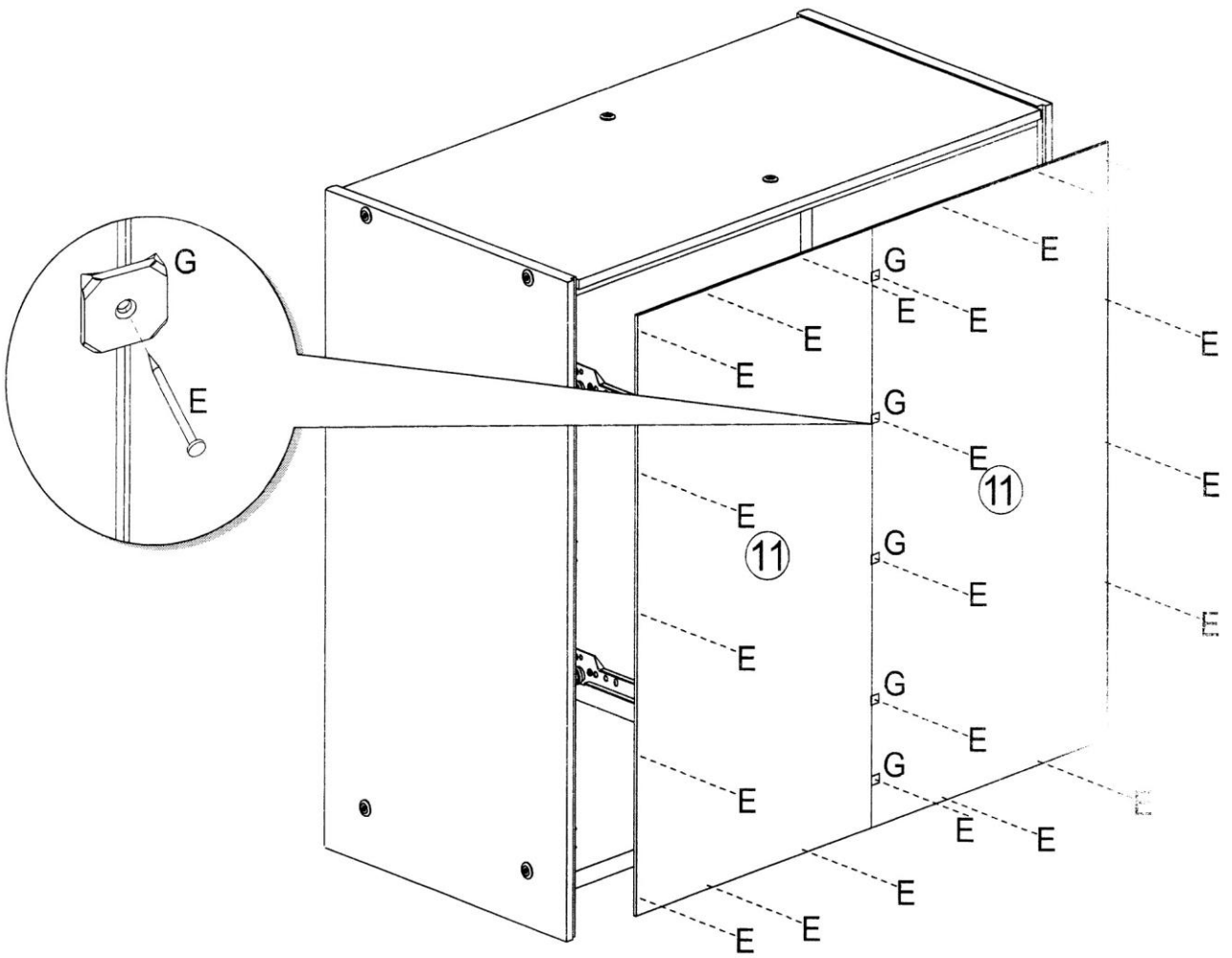





**i**  Qty **02**  
**Drawer Runner 350mm**

  
**H**  **6,0 x 10 Screw**

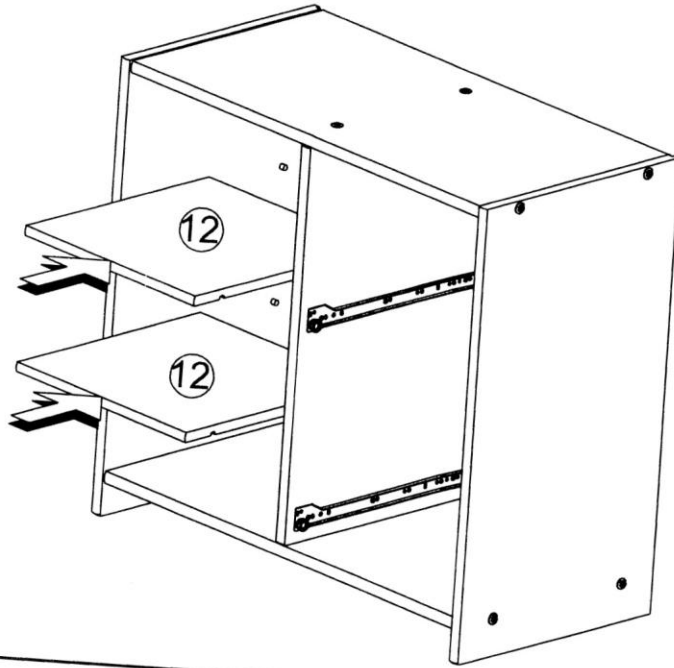


# 05

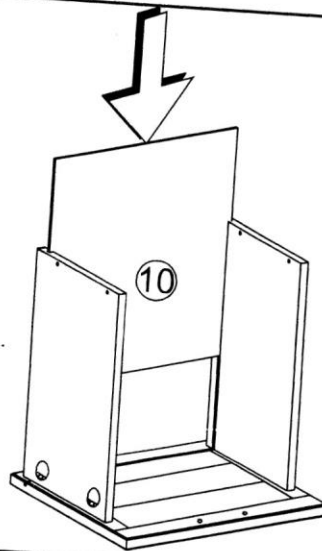
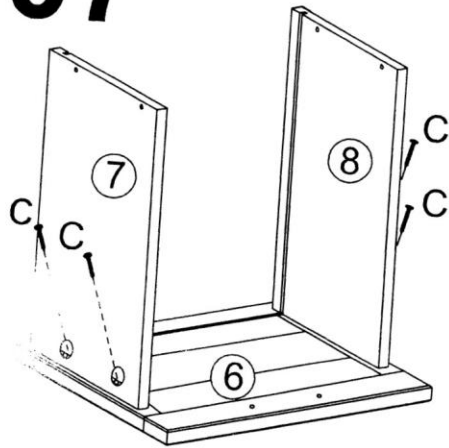


		
<b>E</b>	 10 x 10	Qty 1
<b>G</b>		

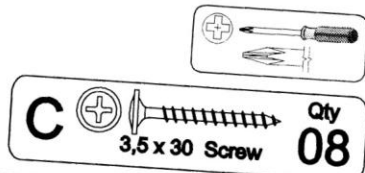
# 06



# 07

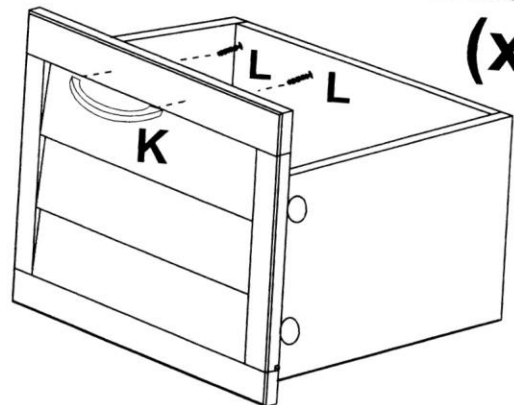
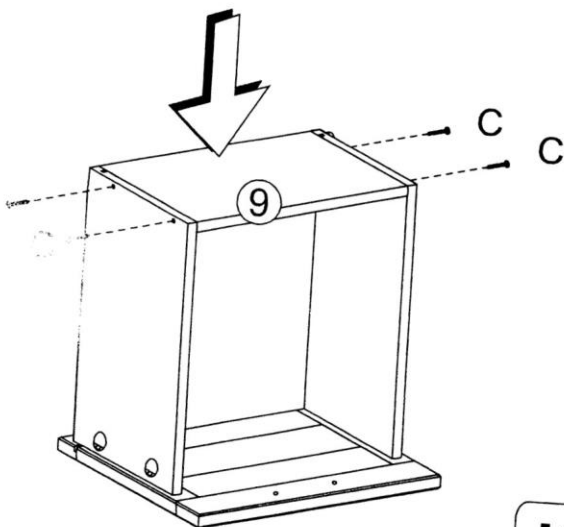


(x2)

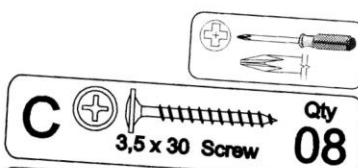


# 08

(x2)

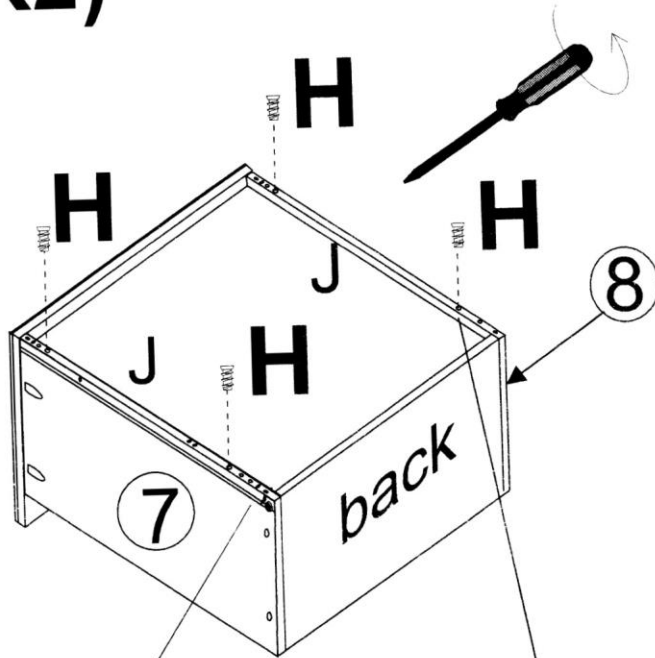


(x2)

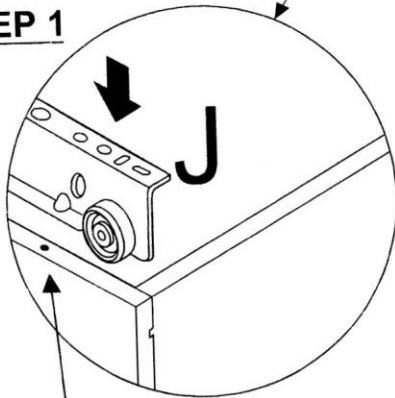


09

(X2)

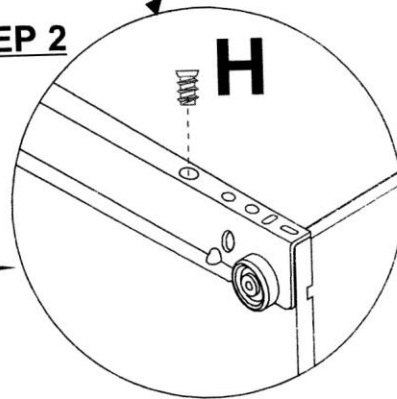


STEP 1



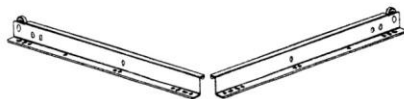
 PRE-DRILLED HOLES

STEP 2



 The wheel to the back !

J



Drawer Runner 350mm

Qty

02



H



6,0 x 10 Screw

08



10

