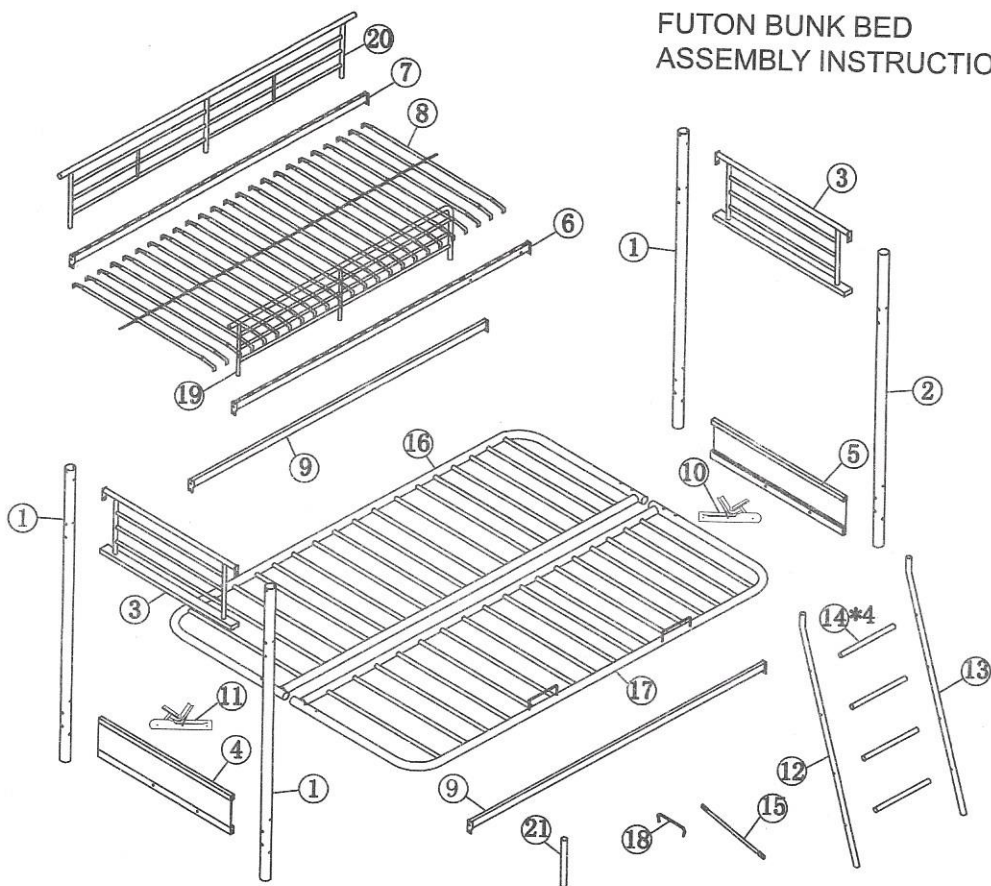
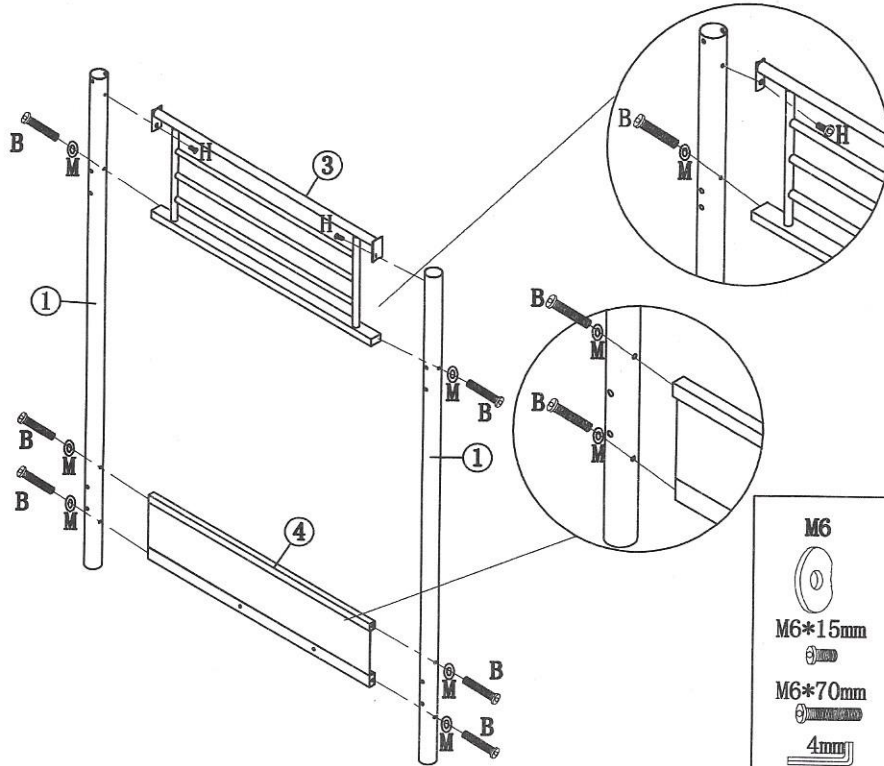



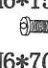

FUTON BUNK BED ASSEMBLY INSTRUCTION



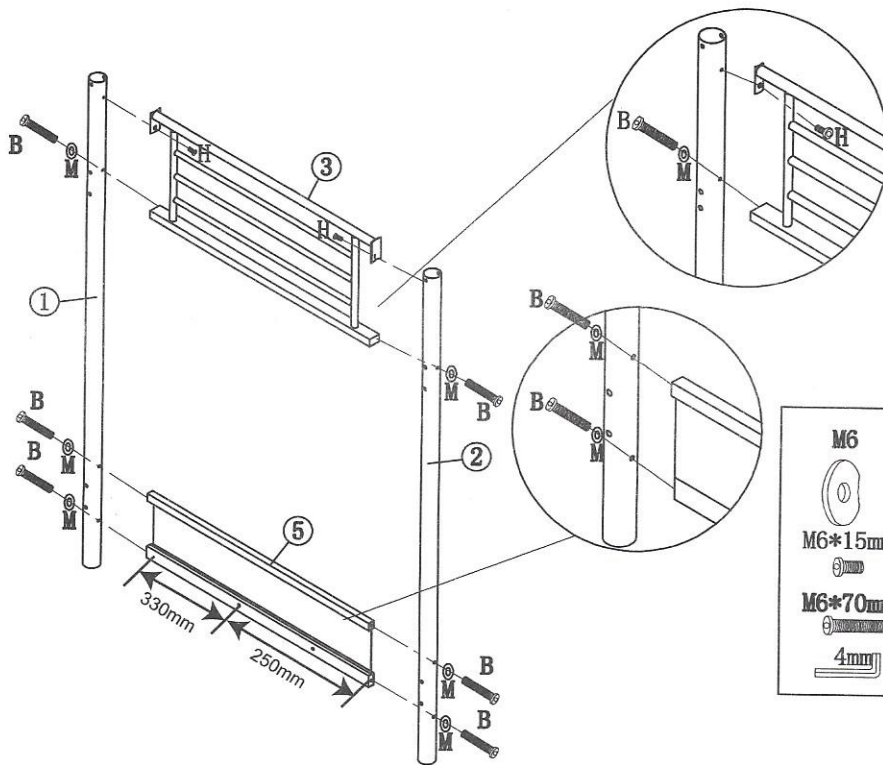
A X 16 M8*60mm 	B X 15 M6*70mm 	C X 6 M6*60mm 	D X 8 M6*50mm 	E X 9 M6*40mm
F X 2 M6*35mm 	G X 4 M6*30mm 	H X 6 M6*15mm 	I X 2 M4*12mm 	J X 8 M8
K X 12 M6 	L X 16 M8 	M X 15 M6 	N X 8 ø25 	O X 2 M6*17
P X 1 M6	Q X 2 4mm 	R X 1 10mm 	S X 1 13mm 	1-5


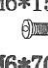
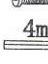
1



M6	M X 6
	
M6*15mm	H X 2
	
M6*70mm	B X 6
	
4mm	Q X 1

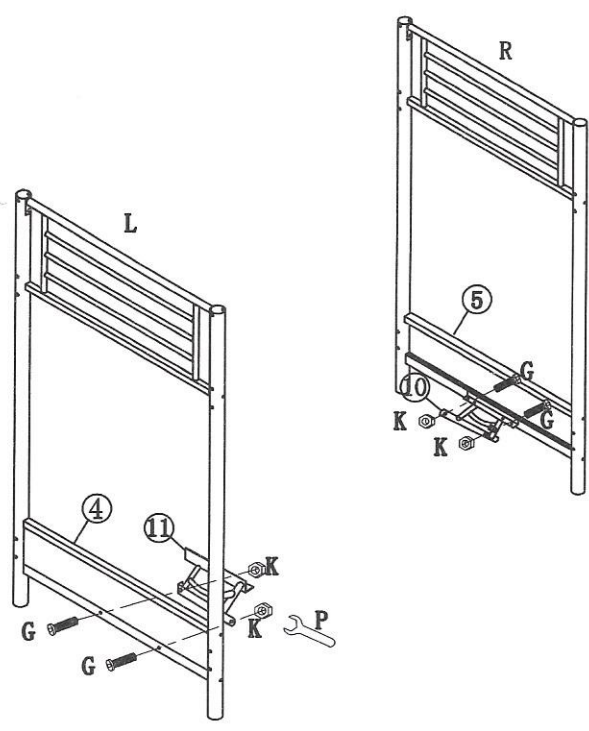
2



M6	M X 6
	
M6*15mm	H X 2
	
M6*70mm	B X 6
	
4mm	Q X 1

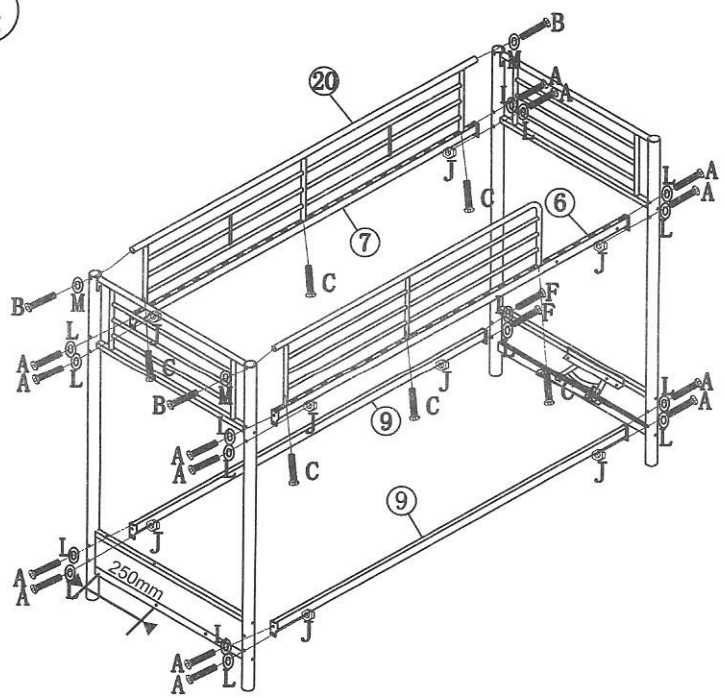
2-5

3



M6*30mm	G X 4
M6	K X 4
4mm	Q X 1
10mm	R X 1

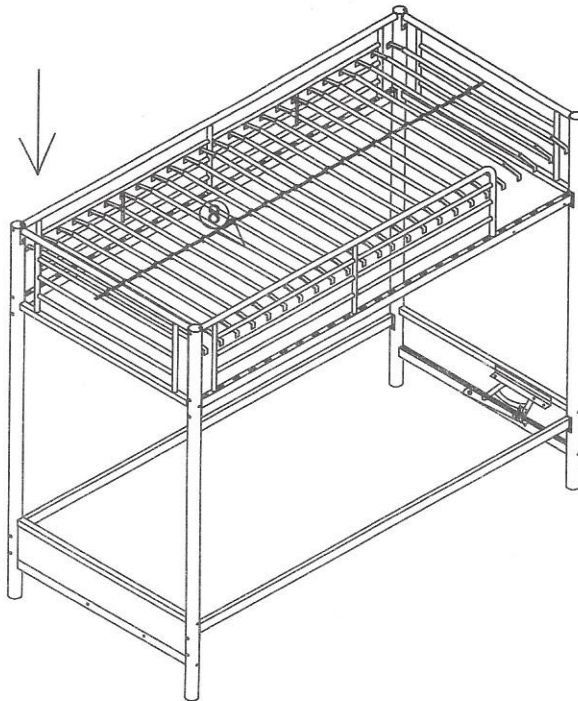
4



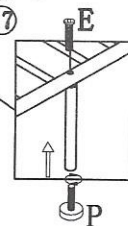
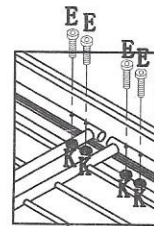
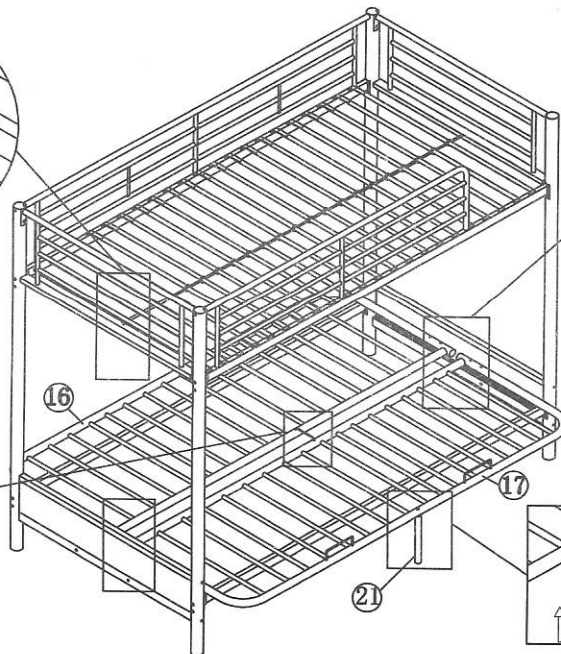
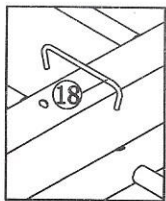
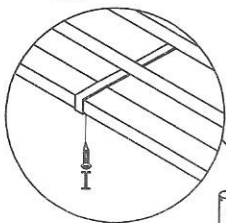
M8*60mm	A X 16
M6*70mm	B X 3
M6*60mm	C X 6
M8	J X 8
M6	M X 3
M8	L X 16
13mm	S X 1
4mm	Q X 1

3-5



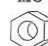

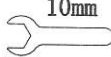

5



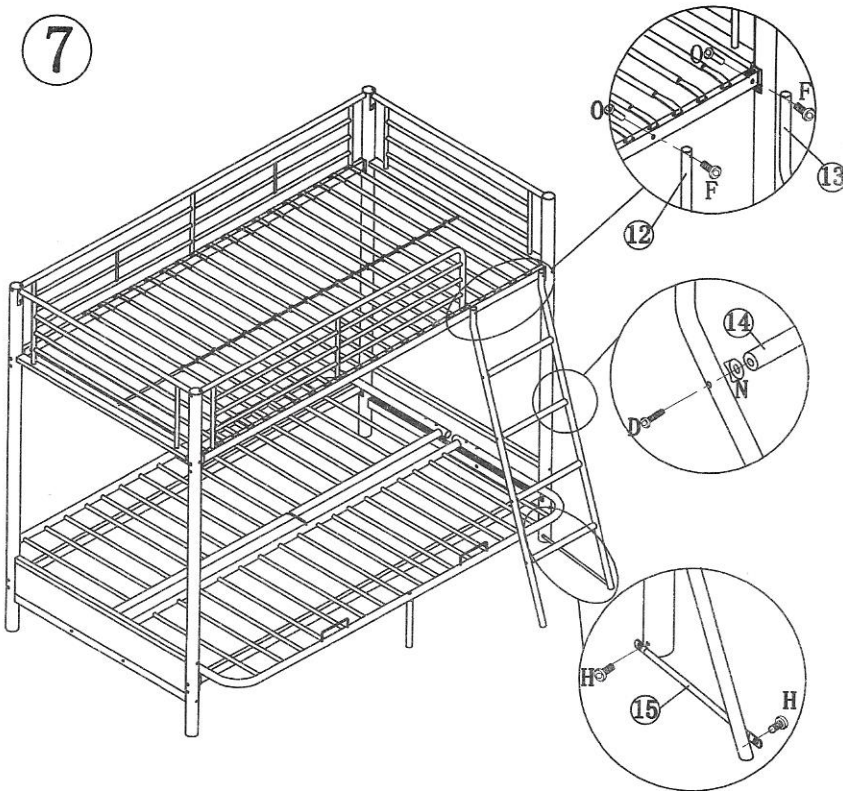
6





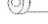


4-5

M4*12mm	I X 2
	
M6*40mm	E X 9
	
M6	K X 8
	
M6	P X 1
	
10mm	R X 1
	
4mm	Q X 1
	

7



M6*15mm	H X 2
	O X 2
M6*35mm	F X 2
	N X 8
M6*50mm	D X 8
	
∅25	
	
M6*17	O X 2
	
4mm	Q X 2

8

