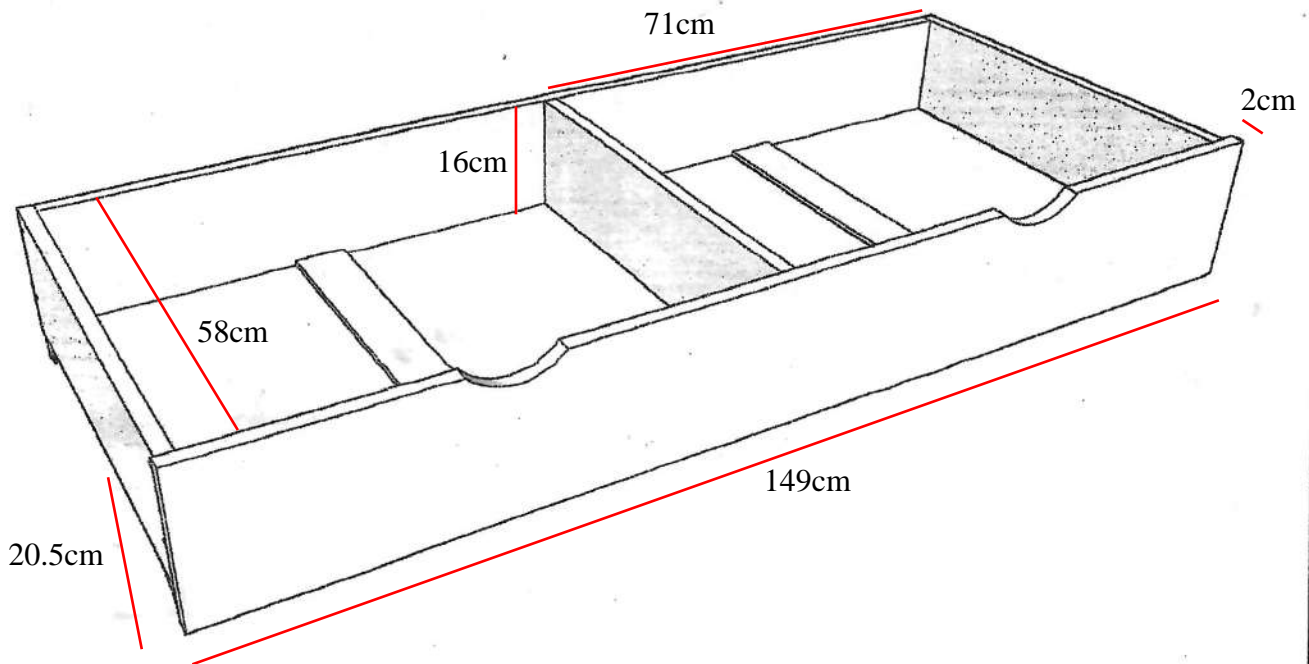


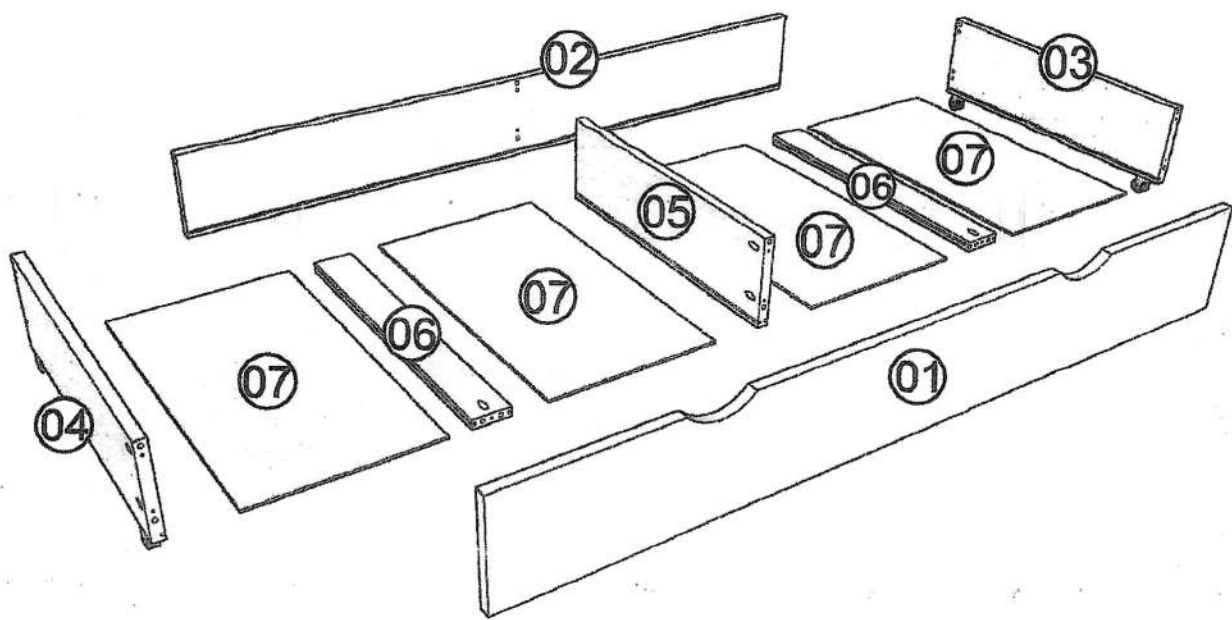
ORDER NO:
1089

UNDERBED DRAWER



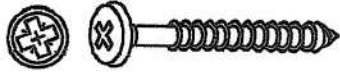







- Please assemble on a clean soft surface to avoid damage.
- Do not use power tools to assemble this product.

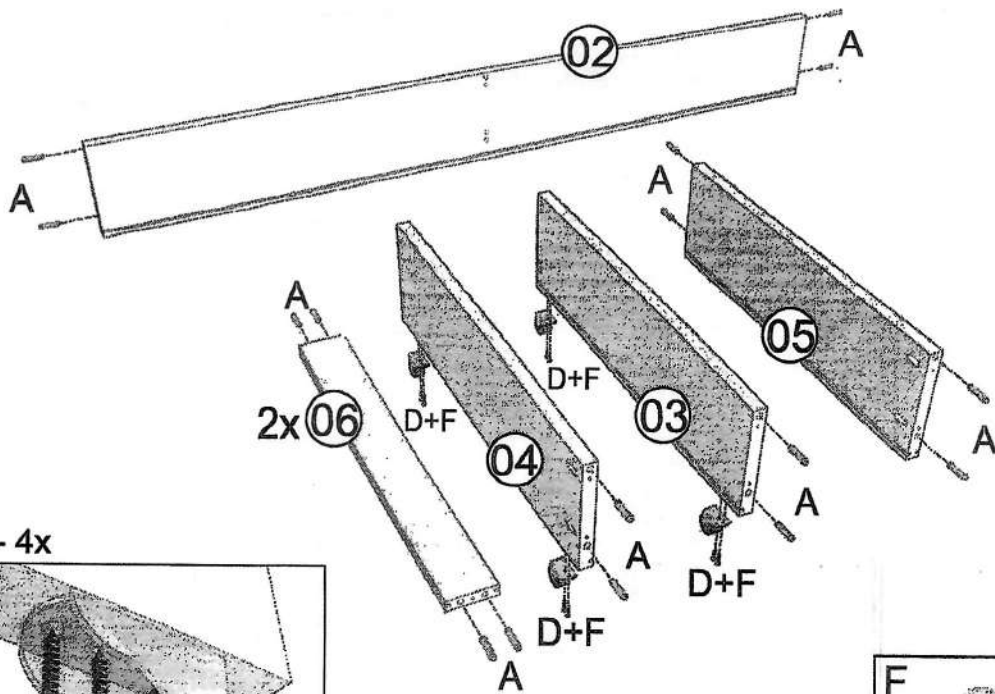
- Please check contents and read instructions before commencing assembly.
- Assemble this article following the enclosed instructions carefully.
- Please take care to avoid damaging panels during assembly.



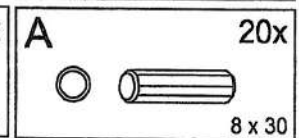
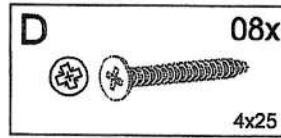
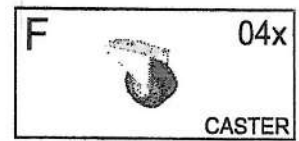
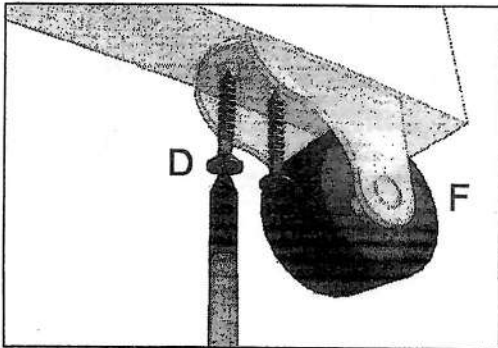
ITEM	DESCRIPTION	QTY		
01	Front	01		
02	Back	01		
03	Right Side	01		
04	Left Side	01		
05	Divider	01		
06	Frame	02		
07	Drawer Bottom	04		

A		8x30 20
B		7x50 08
C		4x30 08
D		4x25 08
E		ALLEN KEY 01
F		CASTER 04
G		MOVEMENT LIMITER 02
H		3,5x16 04

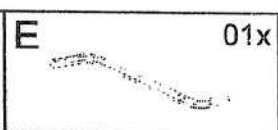
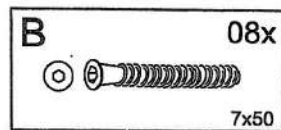
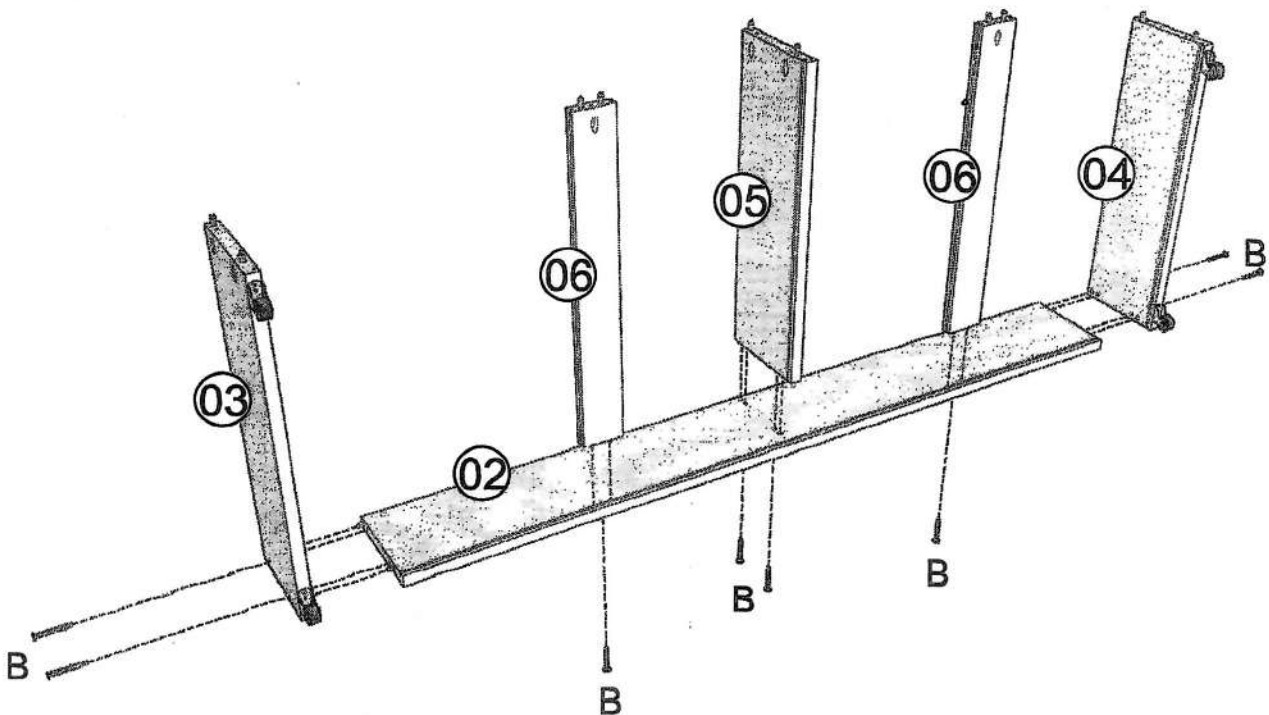
01



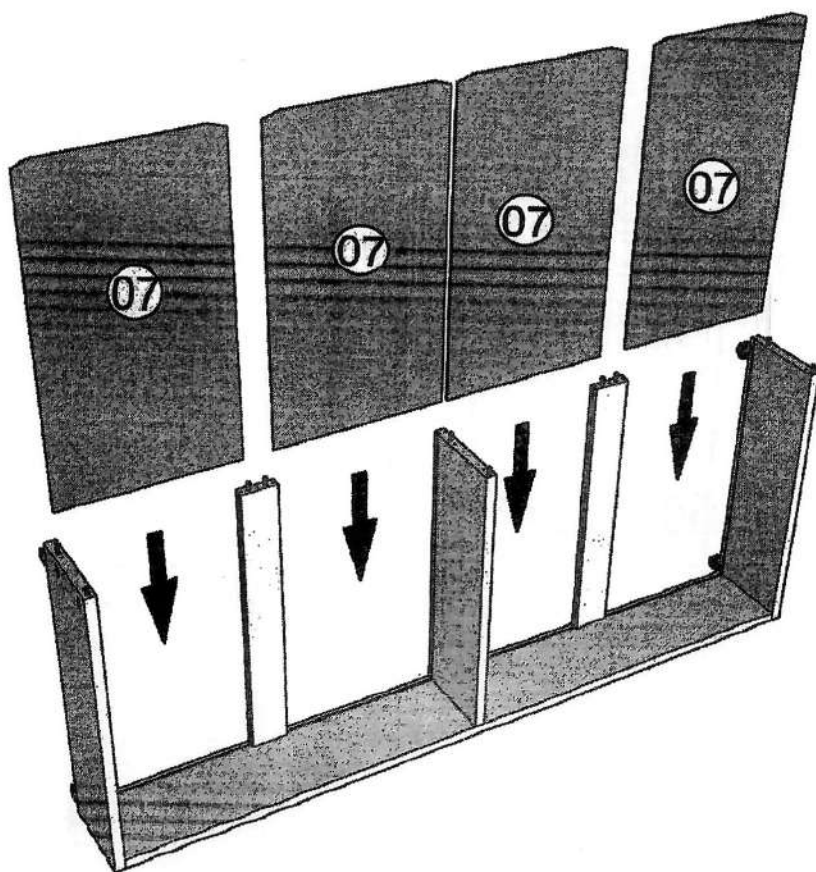
DET. D+F - 4x



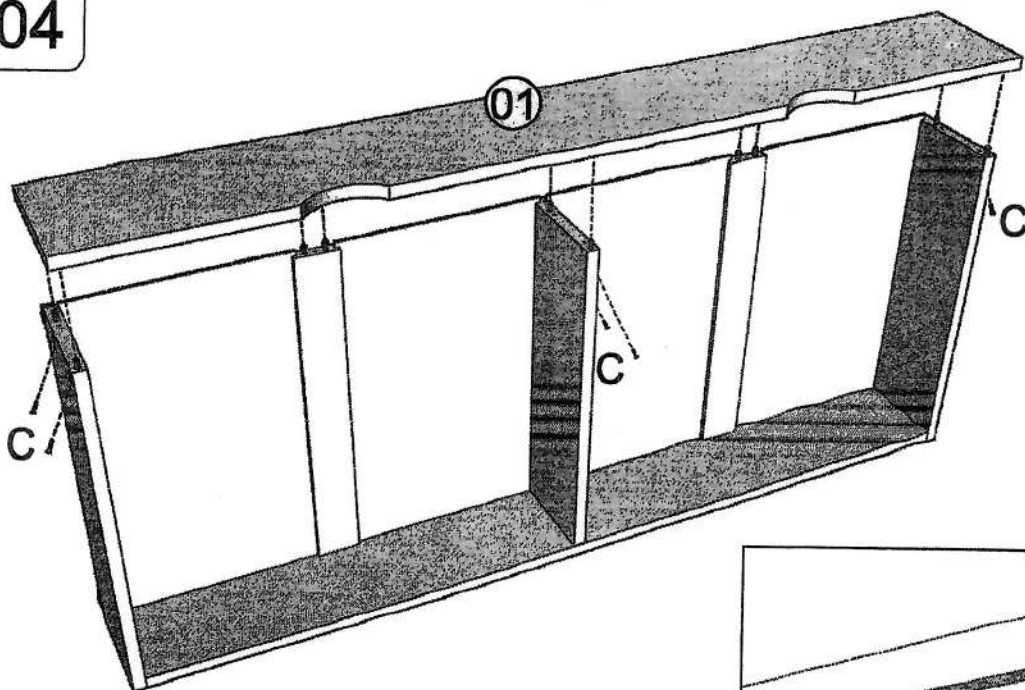
02



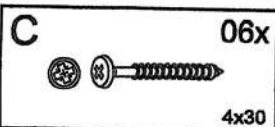
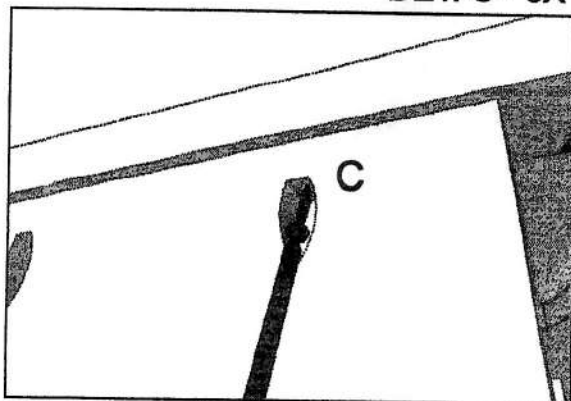
03



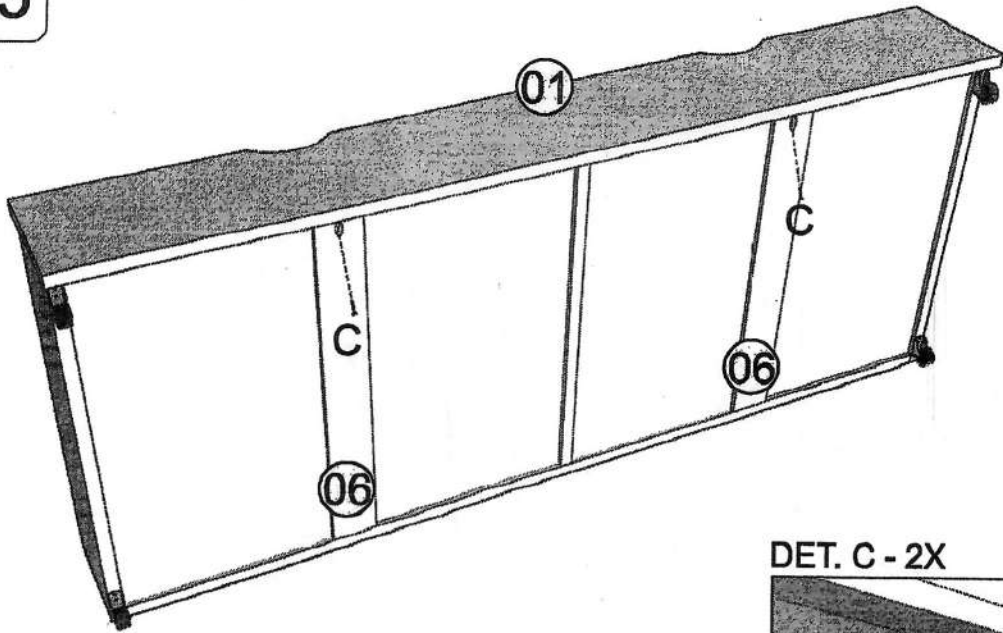
04



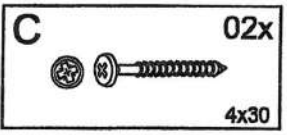
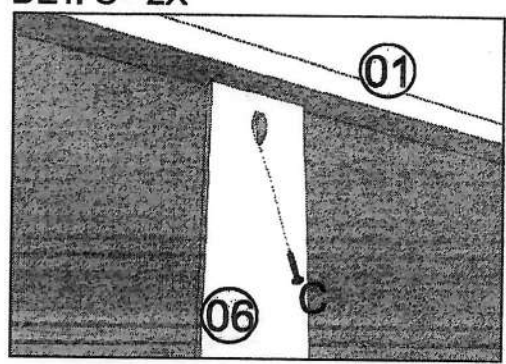
DET. C - 6X



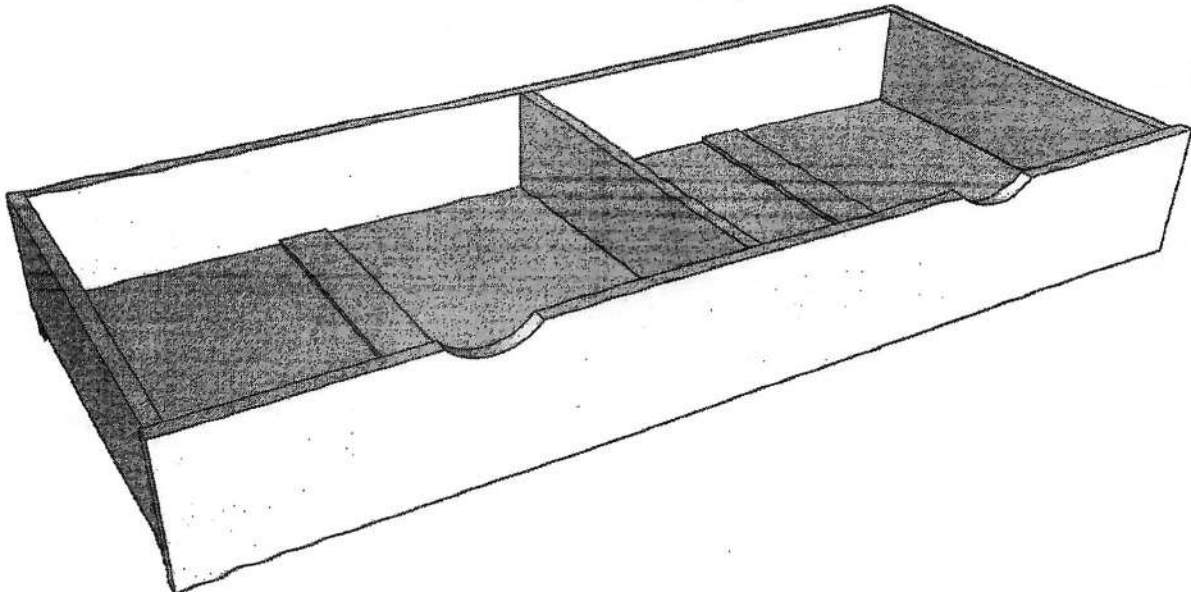
05



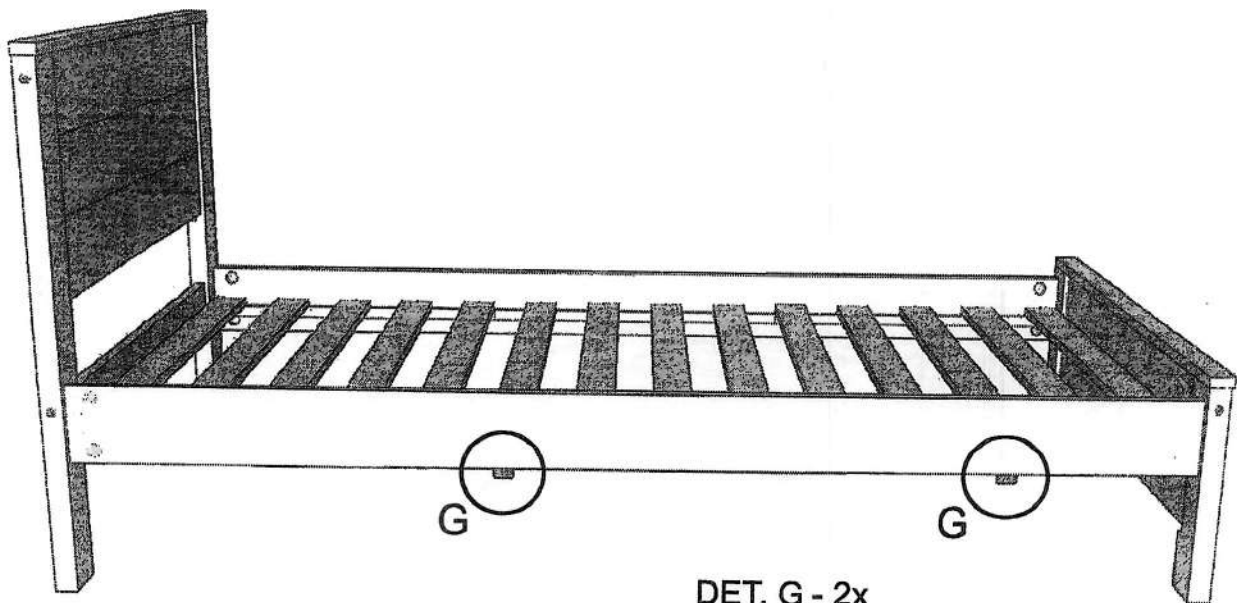
DET. C - 2X



06

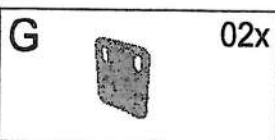
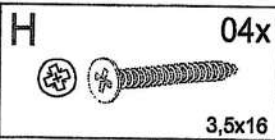
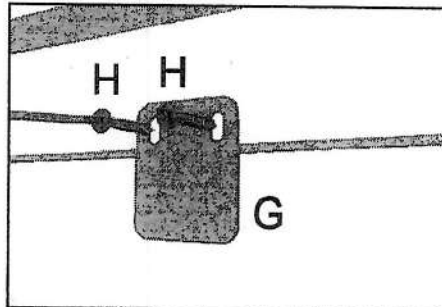


07

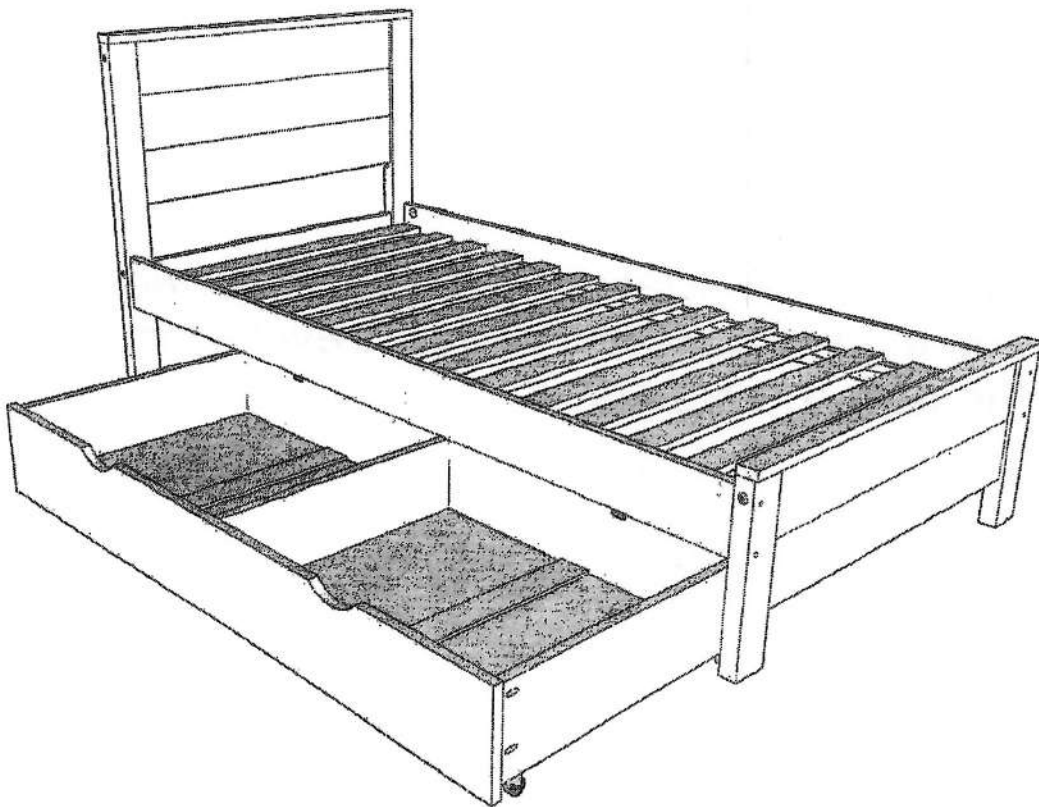


Attach the movement limiter to the lower inner side.

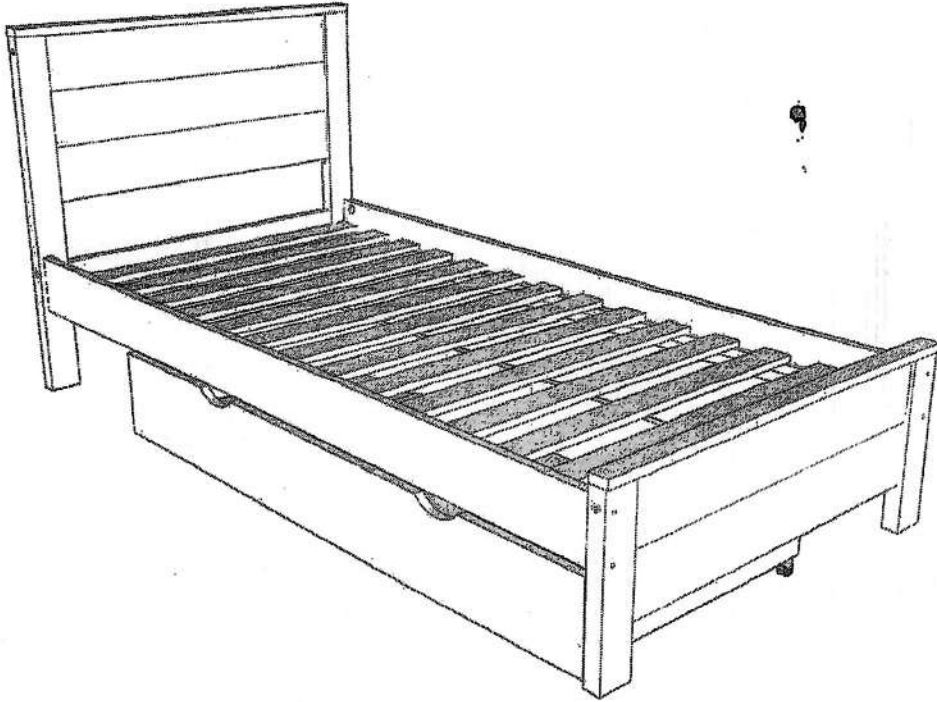
DET. G - 2x



08




09



Content of Vol. 1/1 - Front, Back, Left Side, Right Side, Back, Frame, Drawer Bottom.

- **IMPORTANT NOTE:** Ventilation of the room is necessary in order to keep the humidity low and to prevent mould in and around the bed and drawer.


WHEN FULLY ASSEMBLED PLEASE
ENSURE ALL SCREWS ARE TIGHTENED.