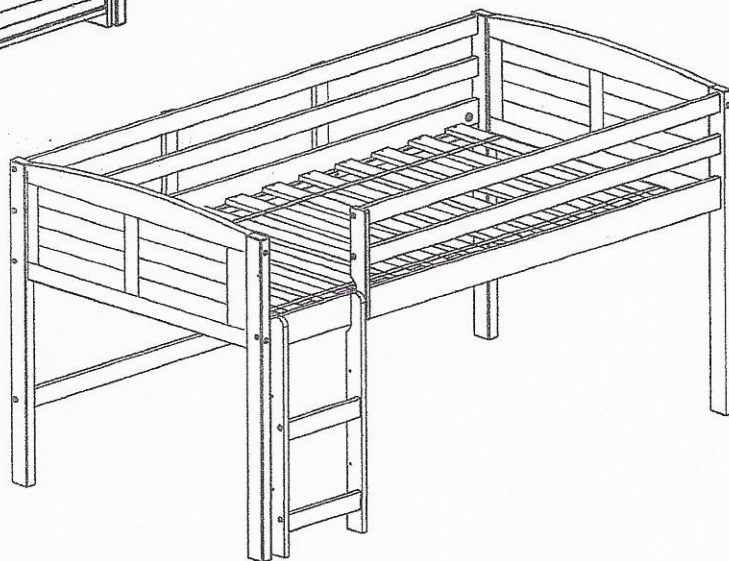
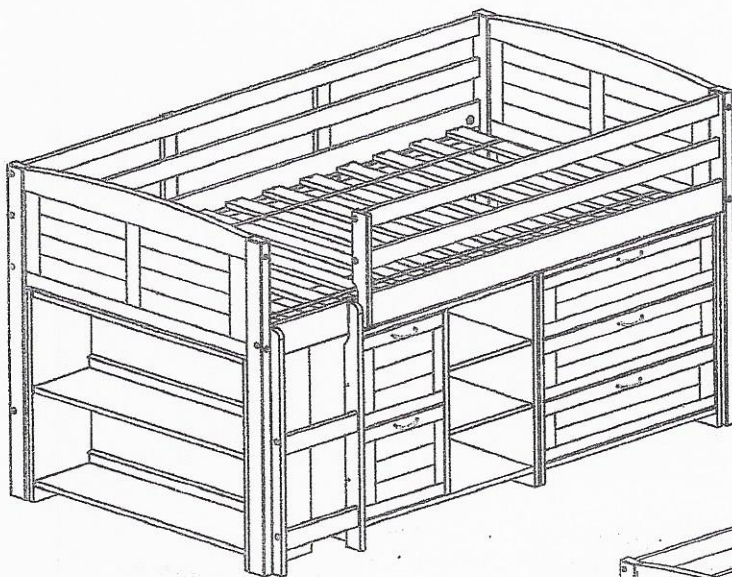


**LEFT STAIR**



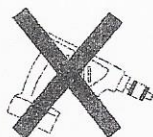
**OPTIONAL SETS ( THE CASES ARE SOLD SEPARATE )**

- 3 DRAWERS CHEST LOUVER
- 2 DRAWERS CHEST LOUVER
- SMALL BOOKCASE
- HEADBOARD BOOKCASE

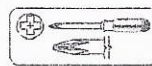
Thank you for purchasing this quality product. Be sure to check all packing material carefully for small parts which may have come loose inside the carton during shipment. Separate, identify and count all parts and hardware.

Compare with the parts list to be sure all parts are present.  
"DO NOT TIGHTEN SCREWS UNTIL COMPLETELY ASSEMBLED"

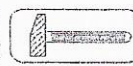
**!**  
\* Use of power tool to assemble this product will invalidate any claim and damage this product making unsafe !!!  
\* Please assemble on a clean soft surface to avoid damage.



**Tools Required**



(Not included)



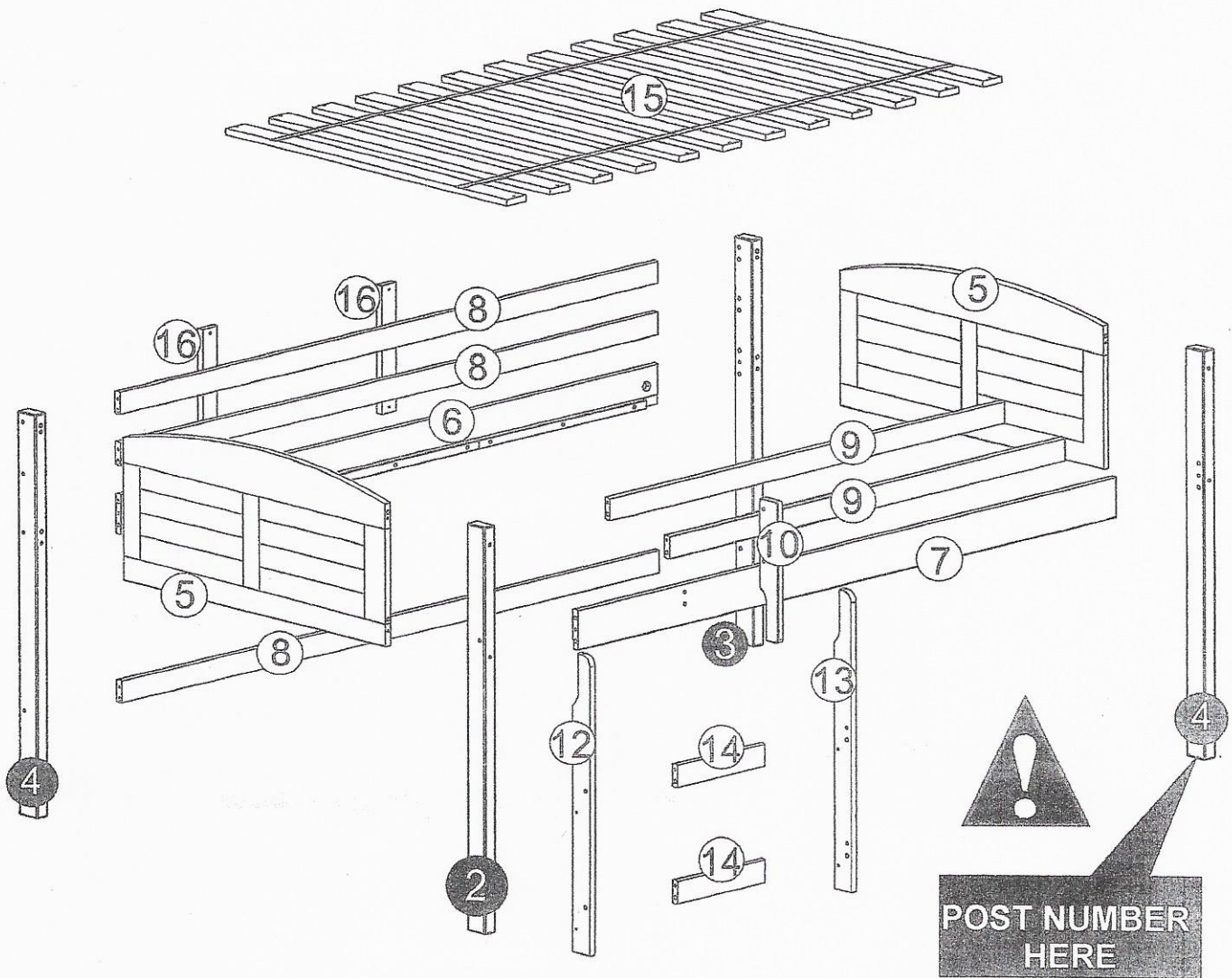
(Not included)



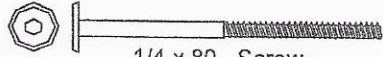


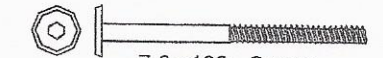

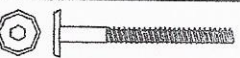
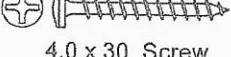
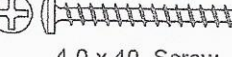


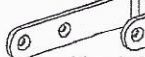

**IMPORTANT:**

**PLEASE READ INSTRUCTION BEFORE STARTING THE ASSEMBLY**

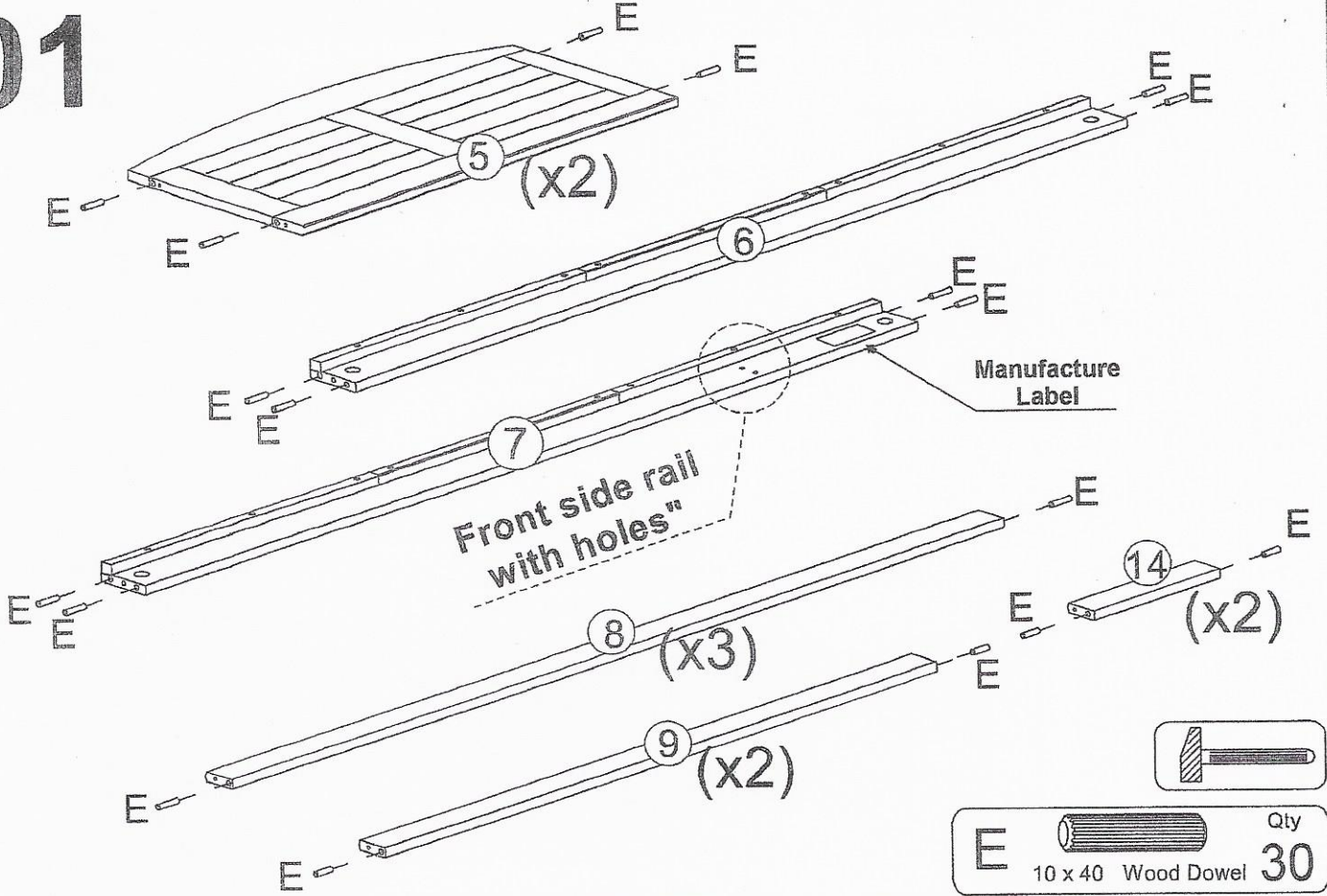
# Part List - LOW LOFT BED LOUVER



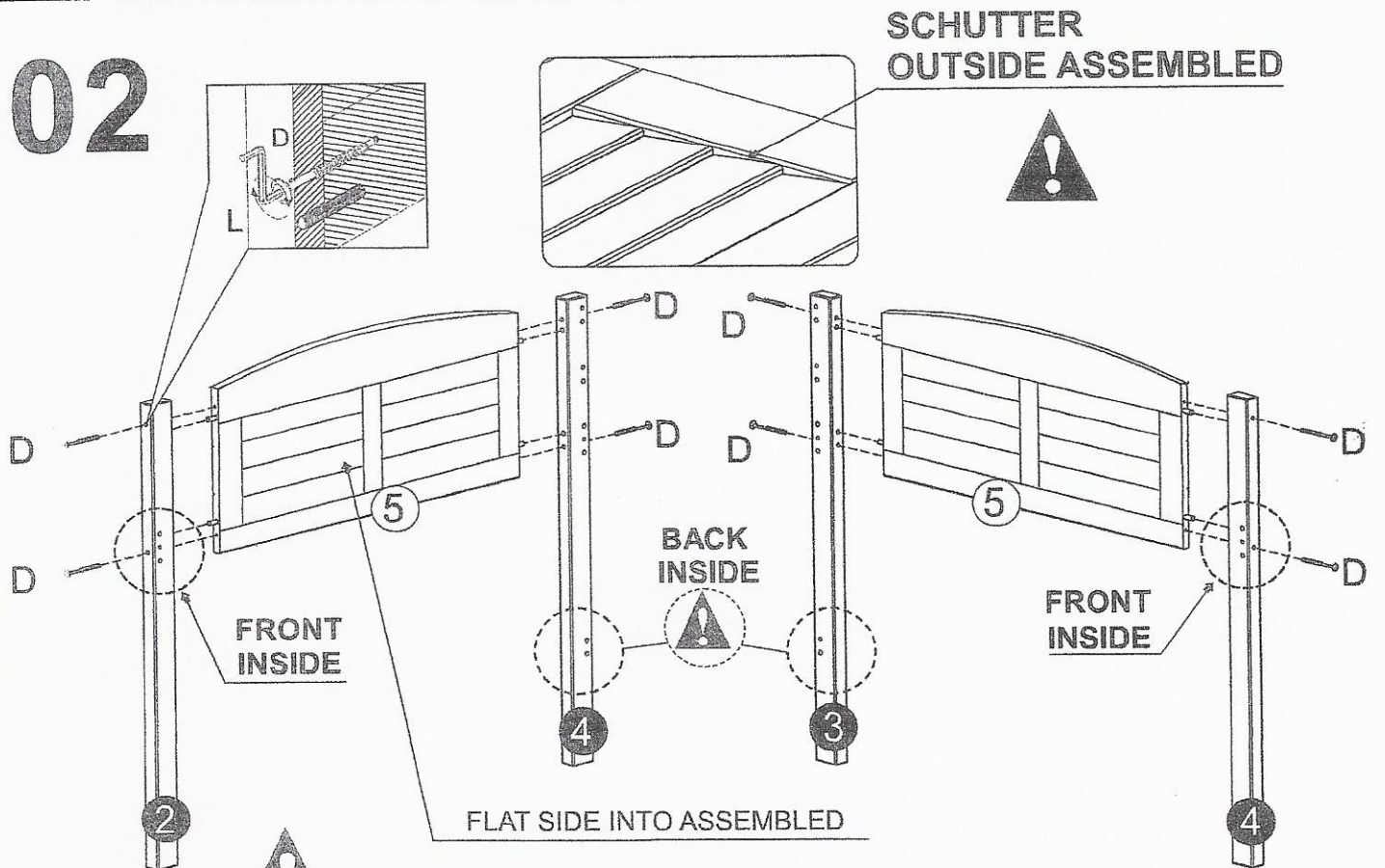
## Identifying the Hardware-Identify the hardware using the illustrations below.

<b>A</b>  Qty <b>04</b> 1/4 x 80 Screw	<b>B</b>  Qty <b>04</b> 1/4" Half Moon	<b>C</b>  Qty <b>08</b> 7,0 x 80 Screw
<b>D</b>  Qty <b>08</b> 7,0 x 100 Screw	<b>E</b>  Qty <b>30</b> 10 x 40 Wood Dowel	<b>F</b>  Qty <b>08</b> 7,0 x 50 Screw
<b>G</b>  Qty <b>30</b> 4,0 x 30 Screw	<b>H</b>  Qty <b>02</b> 4,0 x 40 Screw	<b>I</b>  Qty <b>06</b> 3,5 x 16 Screw
<b>J</b>  Qty <b>02</b> Protector	<b>K</b>  Qty <b>02</b> Hook Ladder	<b>L</b>  Qty <b>01</b> Hex Screwdriver

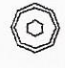
# 01



# 02

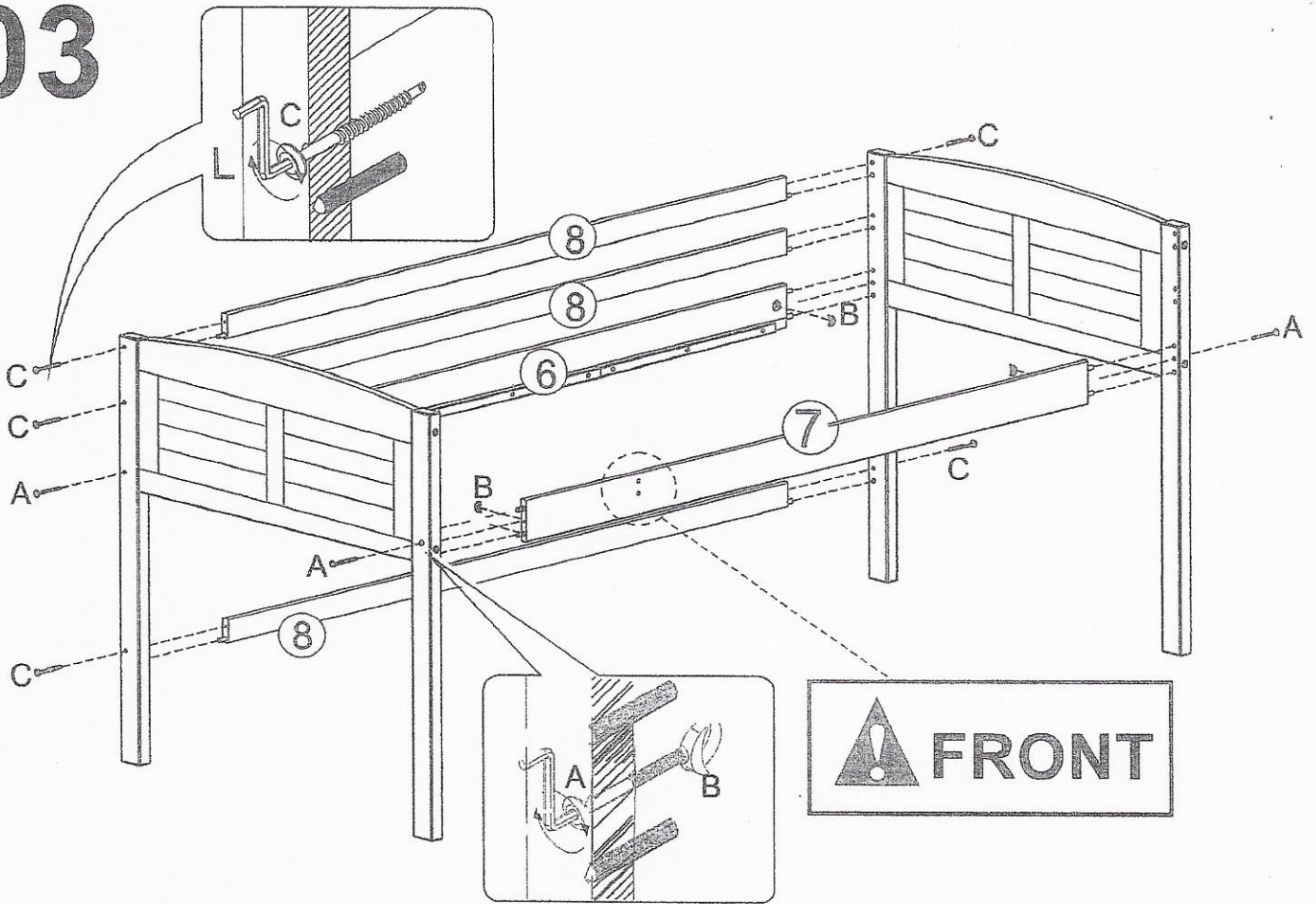


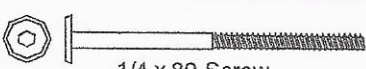
**POST NUMBER  
HERE**


**D**  **7,0 x100 Screw** **Qty 08**

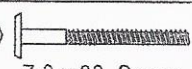
**L**  **Hex Screwdriver** **Qty 01**

# 03



**A**  Qty **04**  
1/4 x 80 Screw

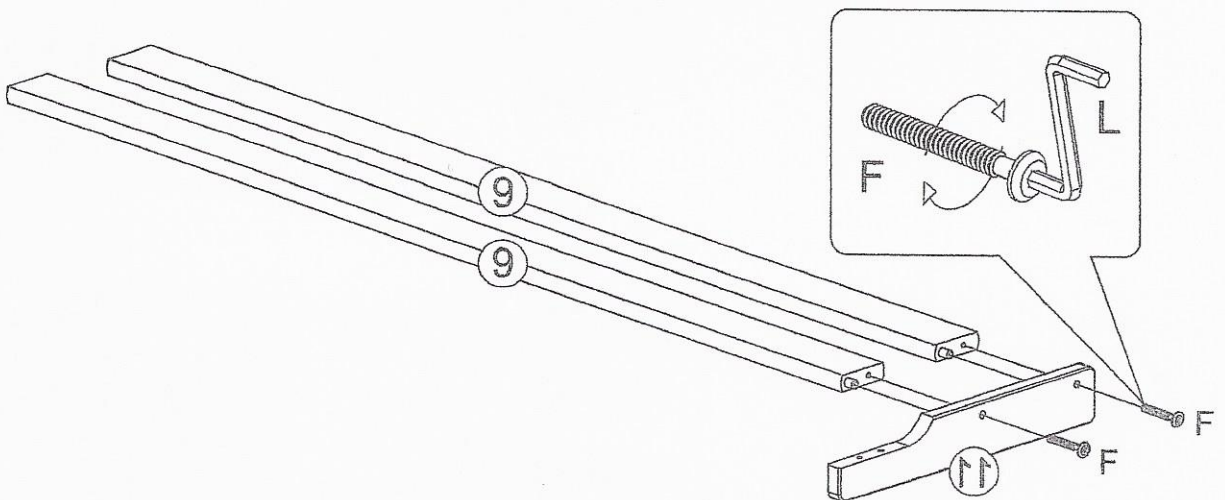
**B**  Qty **04**  
1/4\"

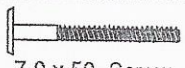
**C**  Qty **06**  
7,0 x 80 Screw


**L**  Qty **01**  
Hex Screwdriver

# 04

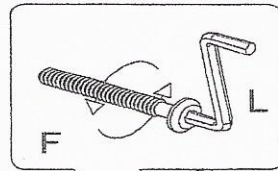
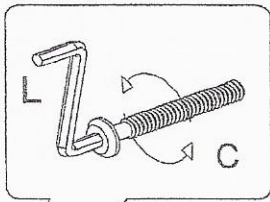
## FRONT GUARDRAILS



**F**  Qty **02**  
7,0 x 50 Screw

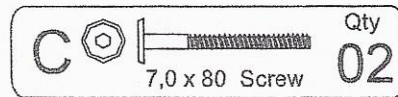
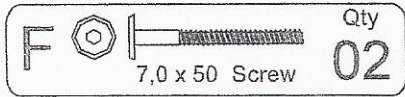
**L**  Qty **01**  
Hex Screwdriver

# 05



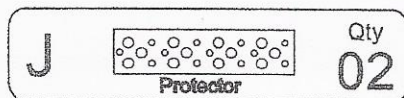
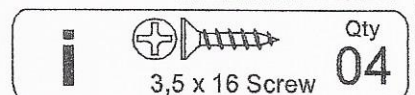
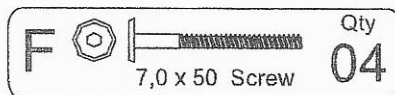
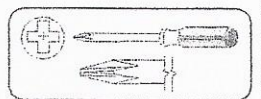
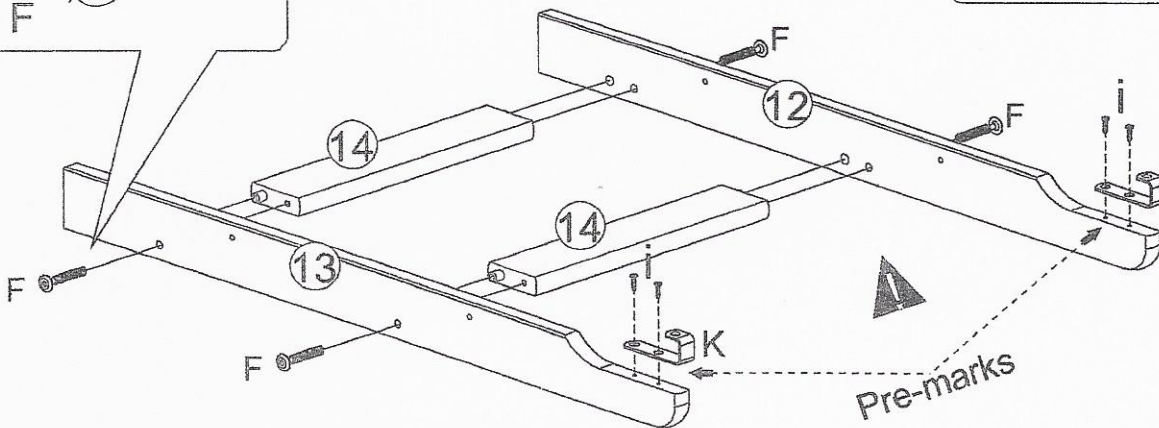
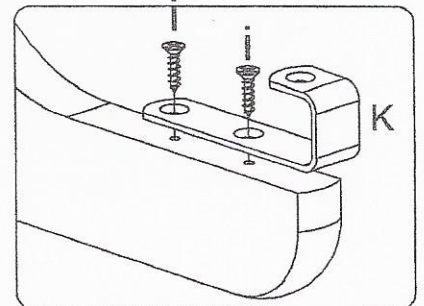
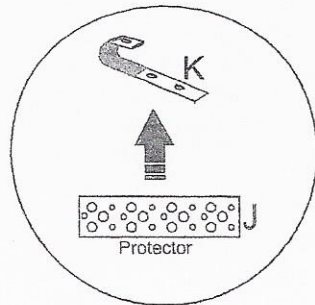
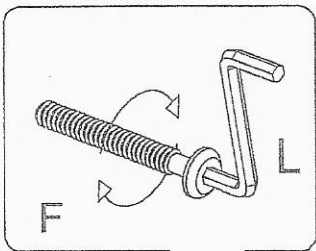
C+L

C+L

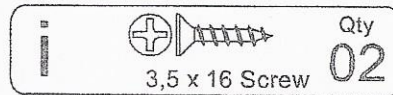
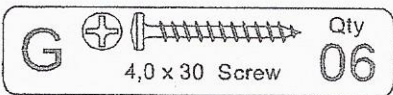
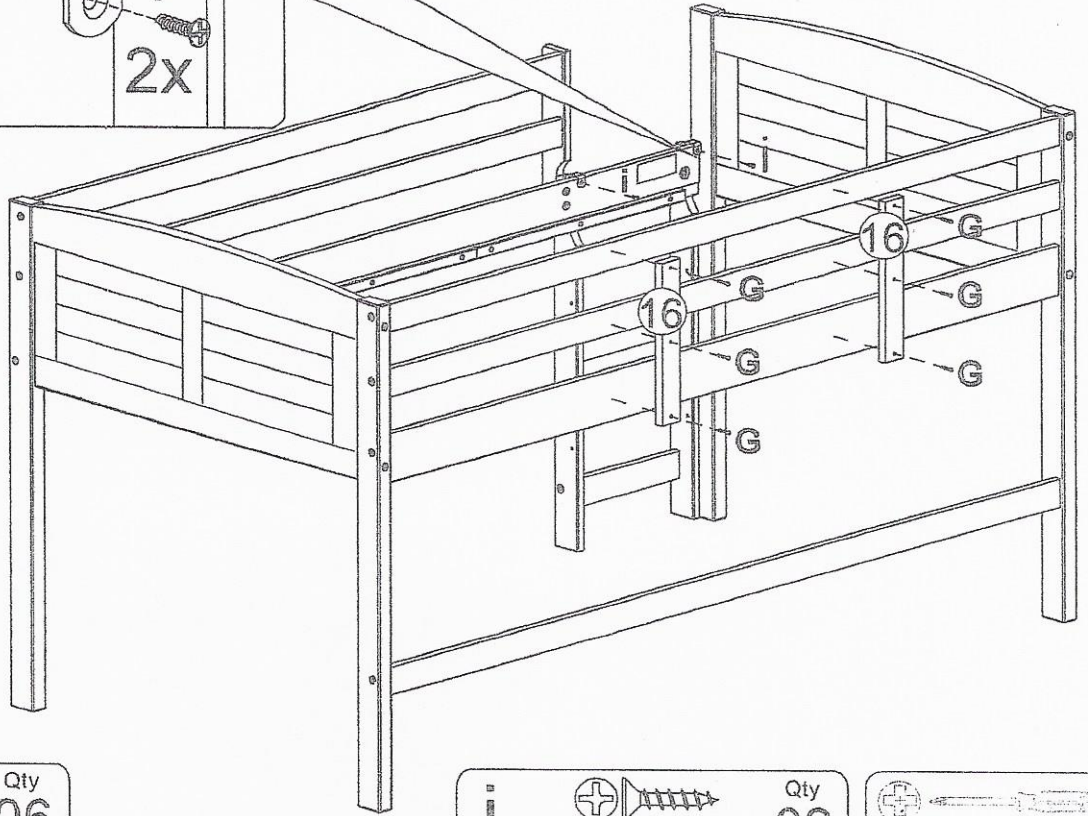
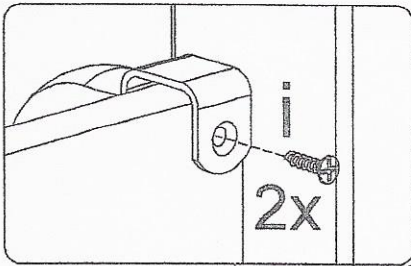


# 06

## LADDER



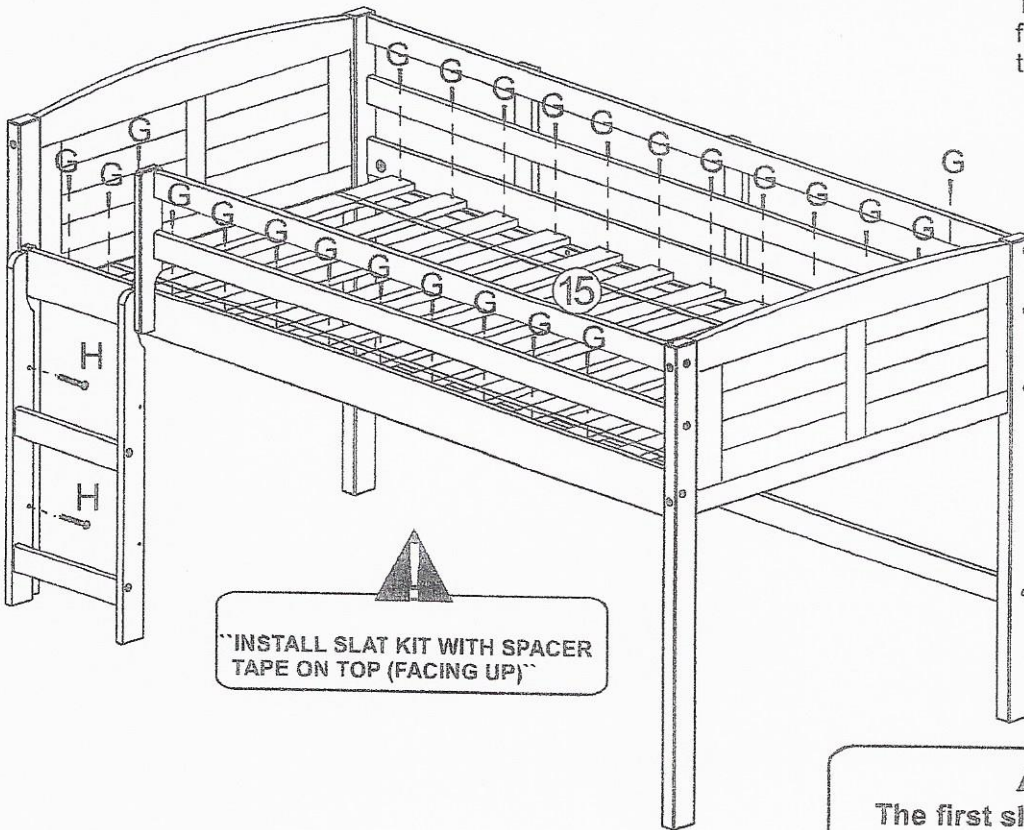
# 07



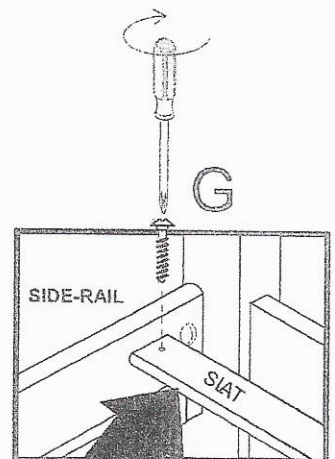
### Attention

There must be a least 5" inches from top surface of mattress to top edge or guardrails.

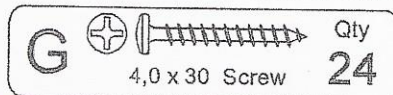
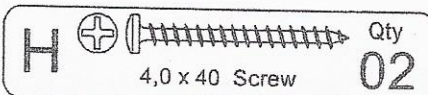
"MATTRESS 8" HIGH LIMITED"



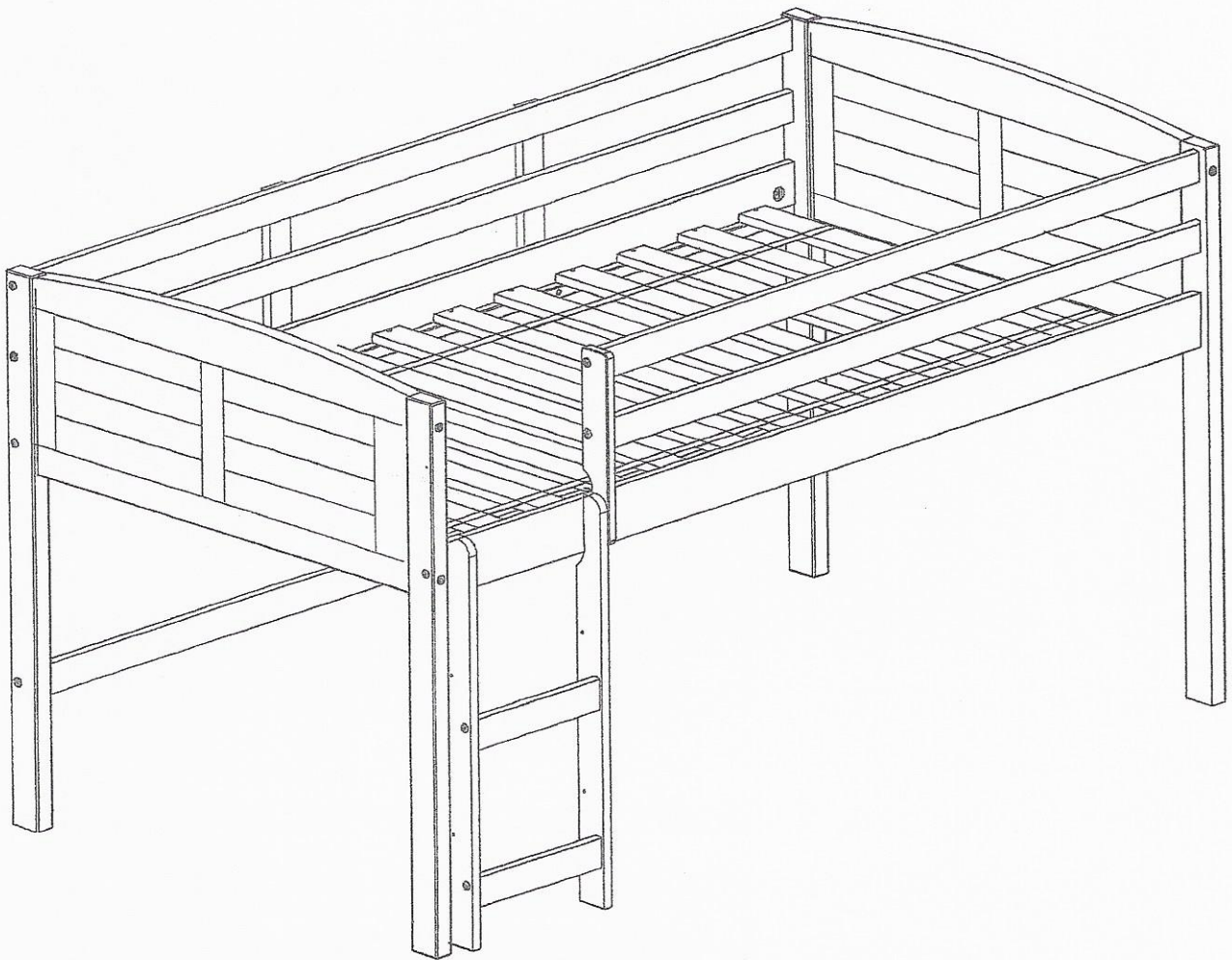
INSTALL SLAT KIT WITH SPACER TAPE ON TOP (FACING UP)



The first slats must be fixed at 3" from each headboard end.

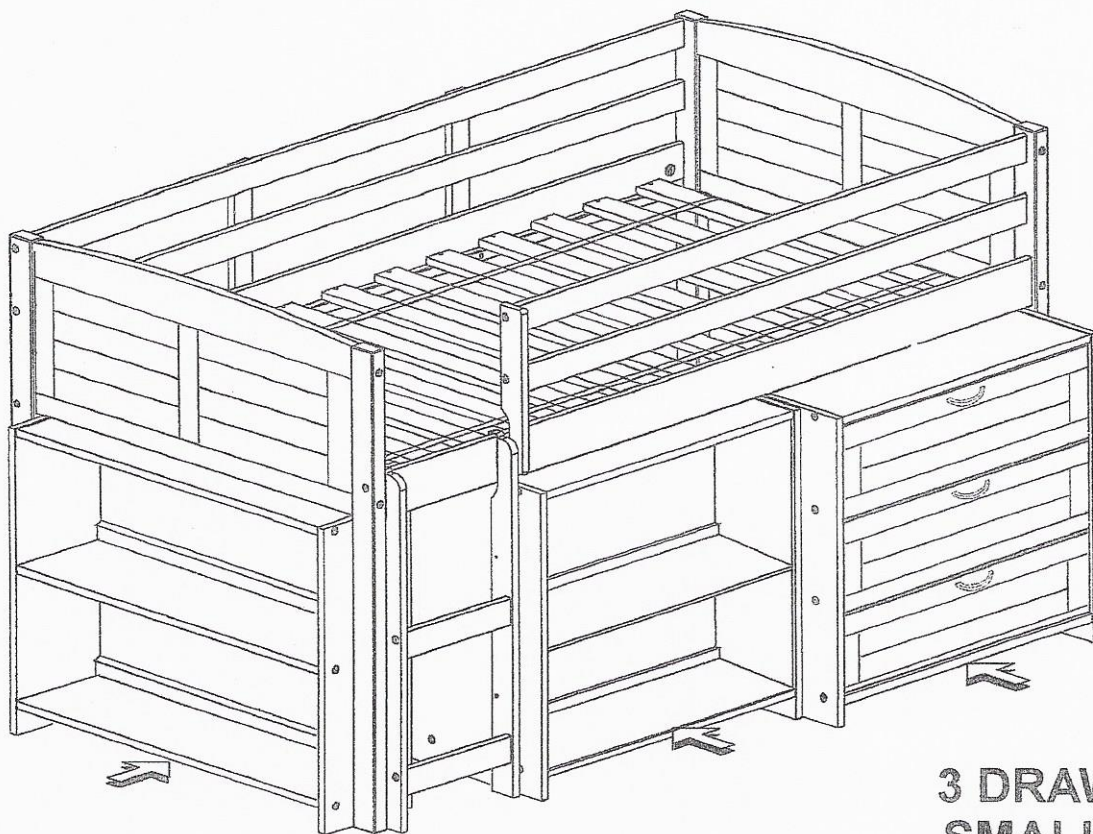


**LEFT**

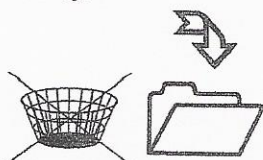
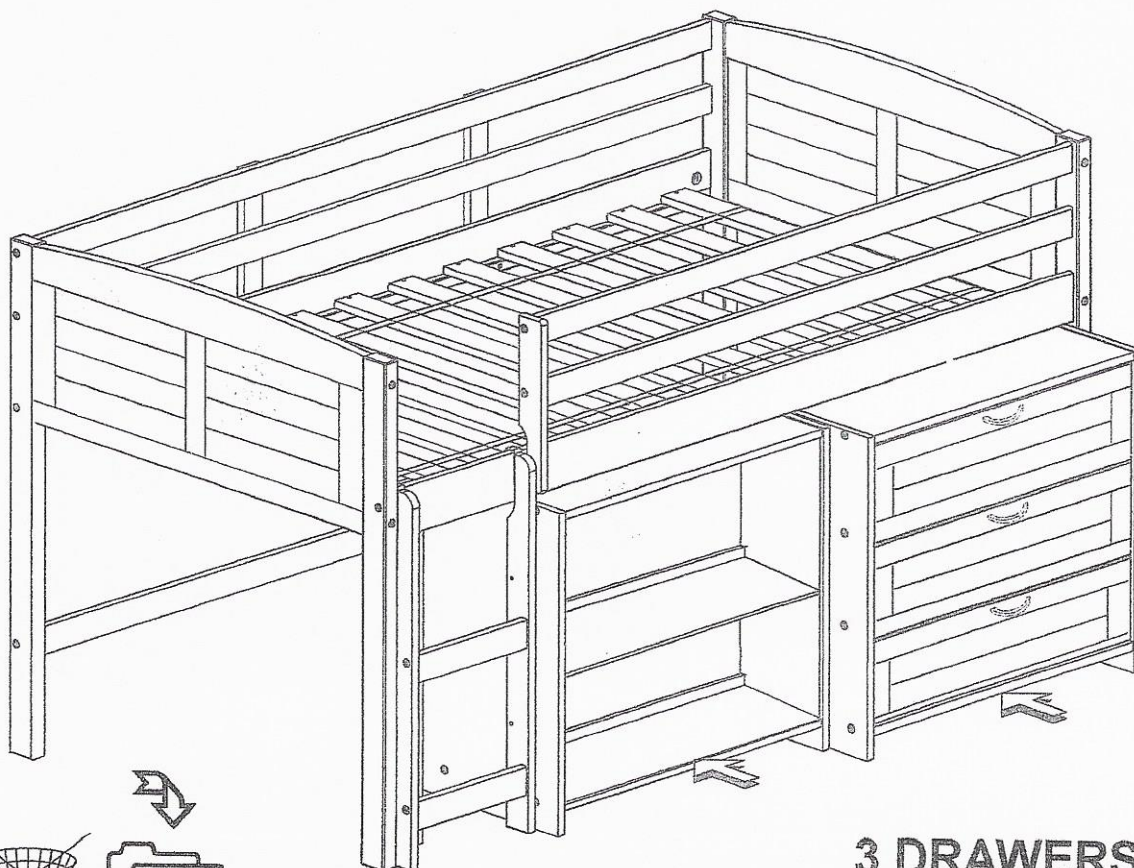


**BED ONLY**

# OPTION COMPONENTS



**3 DRAWERS CHEST  
SMALL BOOKCASE  
HEADBOARD BOOKCASE**



**3 DRAWERS CHEST,  
SMALL BOOKCASE**